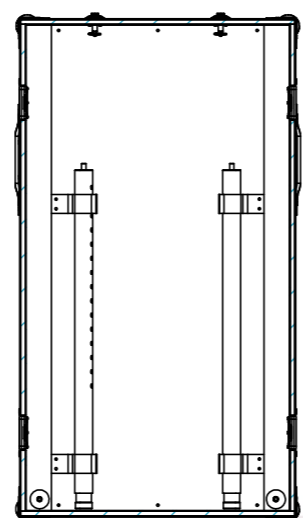
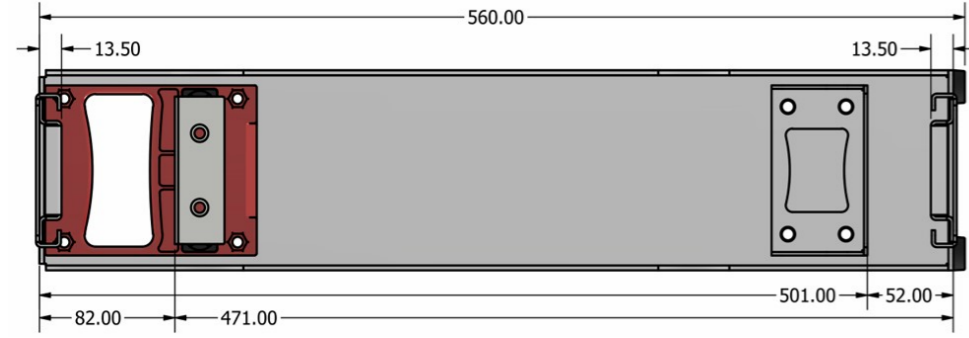
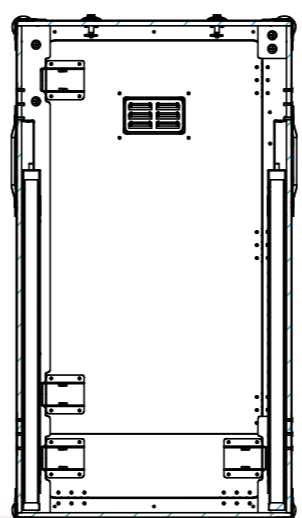


Internal Dimensions		
Width	Depth	Height
524	561	1020
Weight	Approx. 53 Kg	
Wall Thickness		10mm

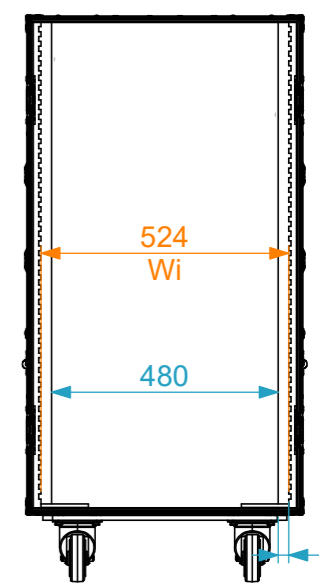
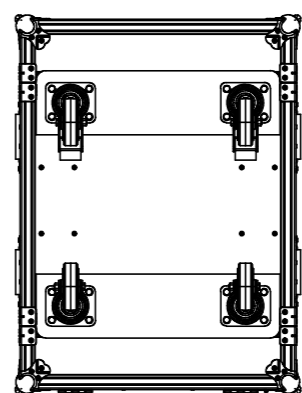
Rufo AluPro



FRONT
M-M



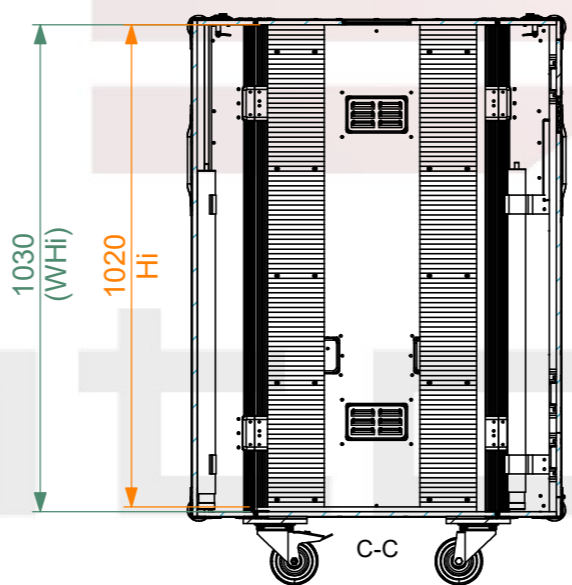
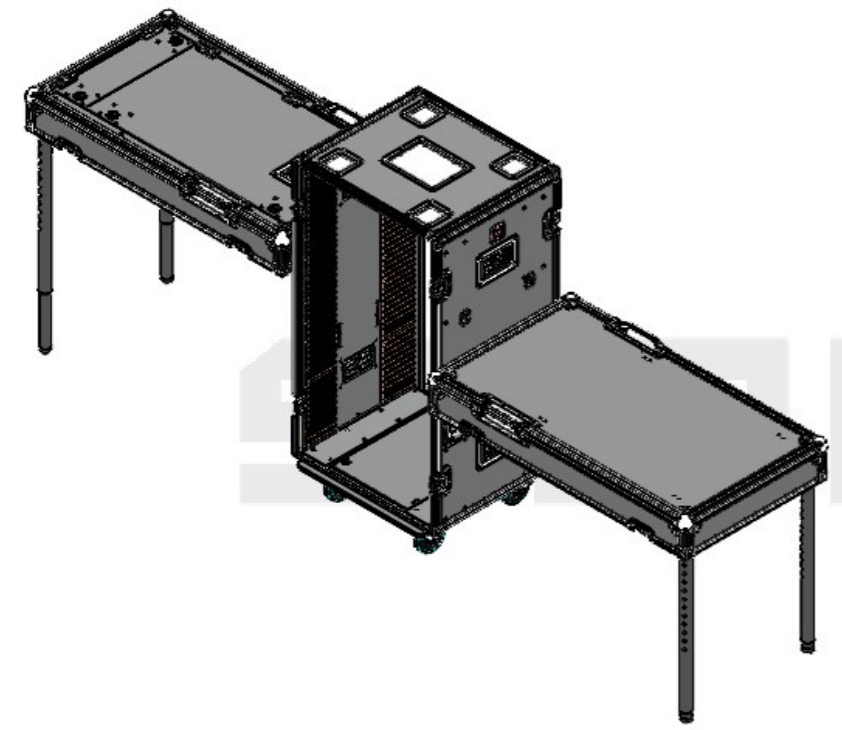
BACK
L-L



524
Wi

480

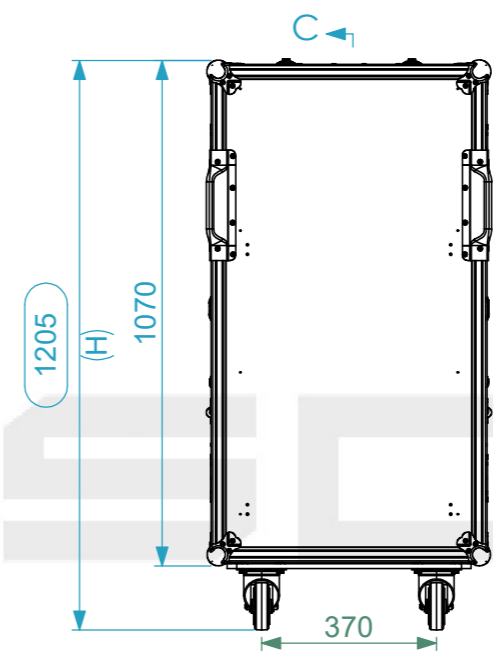
22



1030
(WHi)

1020
Hi

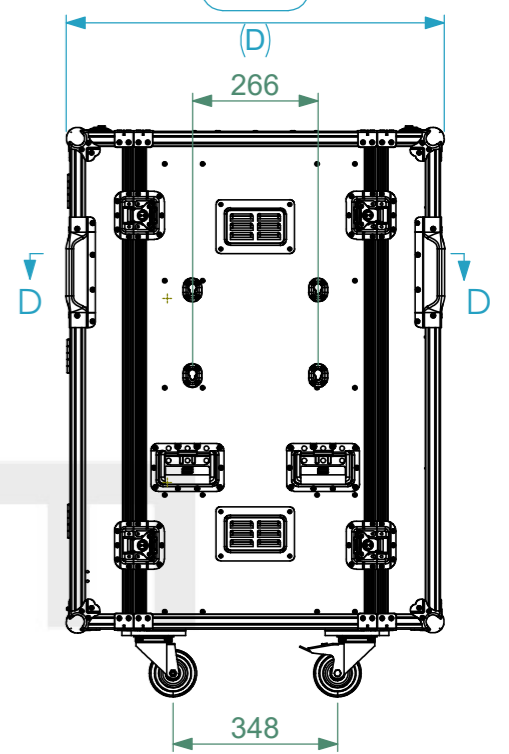
C-C



1205
(H)

1070

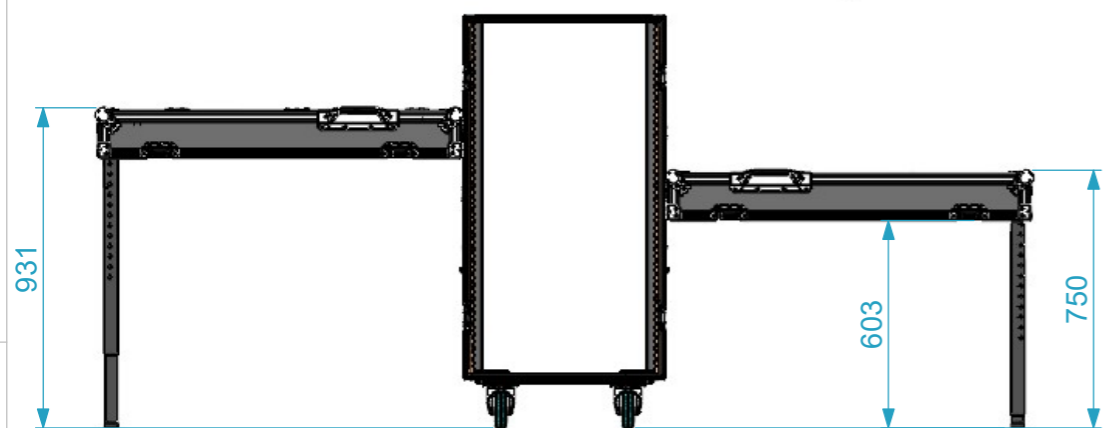
370



800
(D)

266

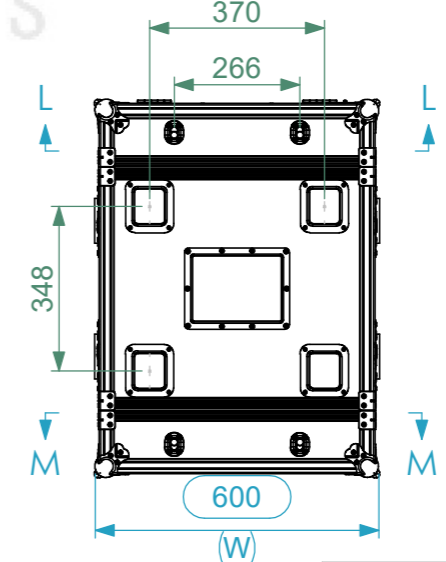
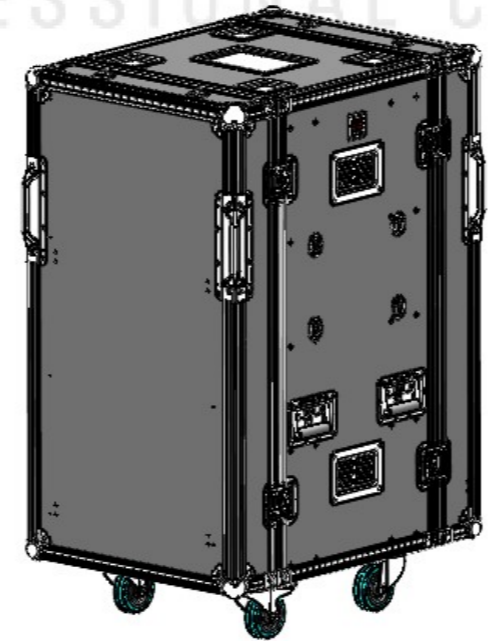
348



931

603

750

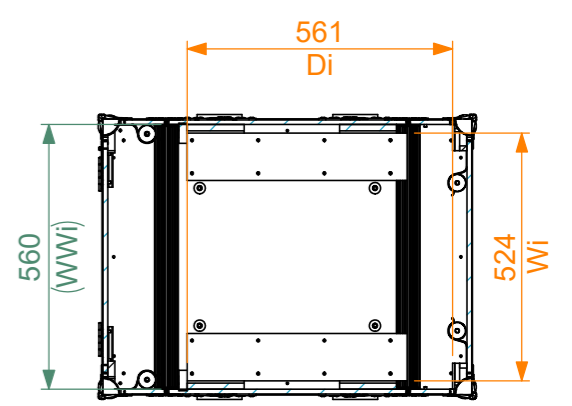


348

370

266

600
(W)



560
(WWi)

561
Di

524
Wi

D-D

General External Dimensions		Usable Inner Dimensions		Wood Inner Dimensions	
W	Width	Wi	Inside Width	WWi	Wood Inside Width
D	Depth	Di	Inside Depth	WDi	Wood Inside Depth
H	Height	Hi	Inside Height	WHi	Wood Inside Height

A3

This drawing must not be copied or disclosed without consent of the owner

1st Angle projection

Scale 1:16

units in mm
DO NOT SCALE
general tolerance 0.8mm

Flight case 60x60x90 for Rufo AluPro

Name	Date
Drawn by jose.couto	11/06/2026
Reference	PTSC2.06060107

