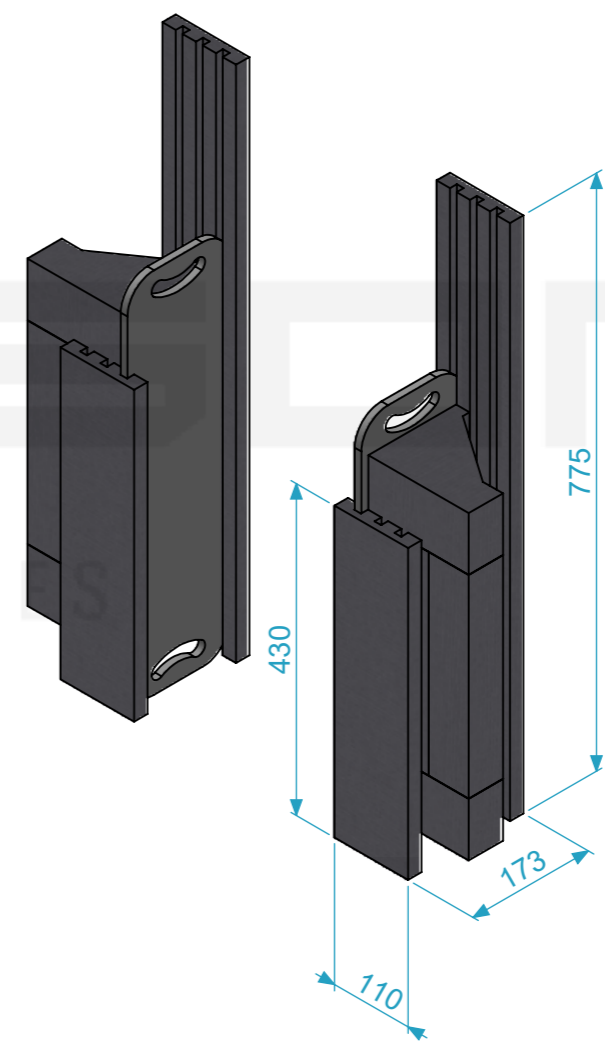
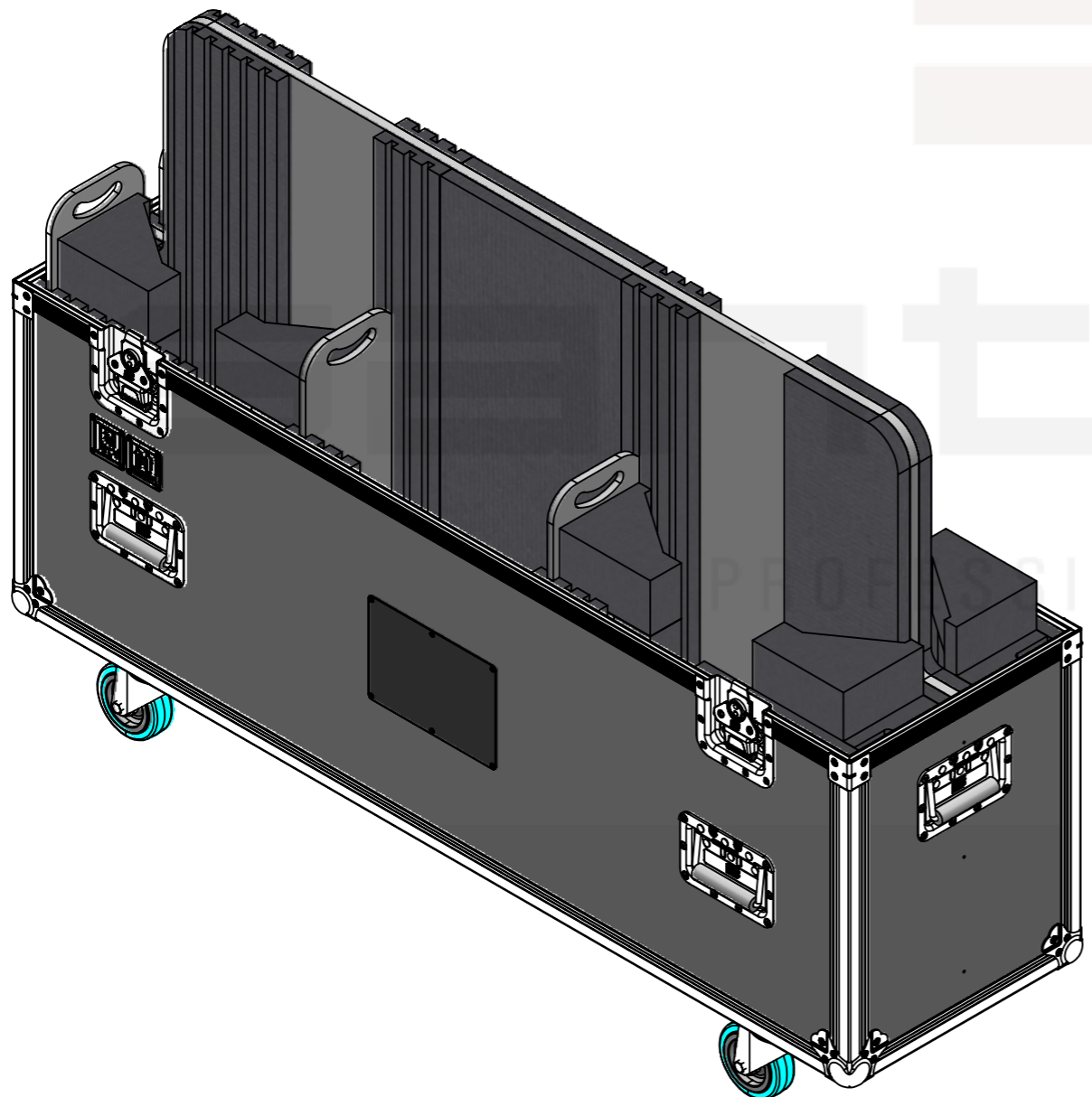
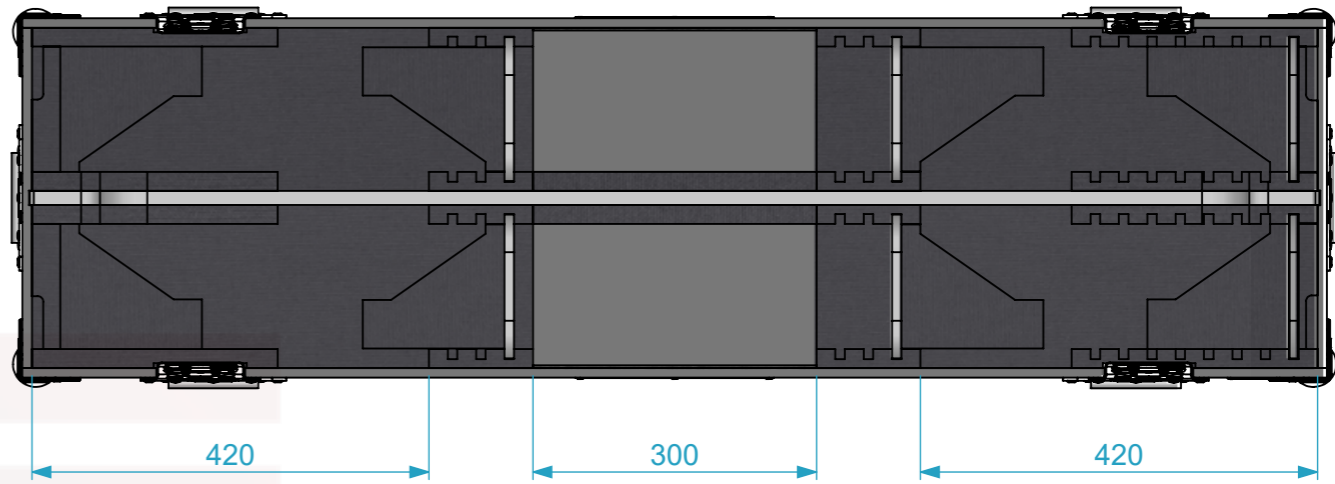


**Dimensions**

<b>Width</b>	<b>Depth</b>	<b>Height</b>
173	110	775
<b>Weight</b>	Approx. 1.6 Kg	



<b>Name</b>	<b>Date</b>
Drawn by paula.almeida	16/06/2026
<b>Reference</b>	PRT.VDP2.040A.J.K1
<b>Scale</b>	1:8
<b>units in mm</b>	general tolerance 0.8mm
DO NOT SCALE	
Kit adicional de espumas para VDP2.AJ c/ 400 Prof.	



This drawing must not be copied or disclosed without consent of the owner



A3