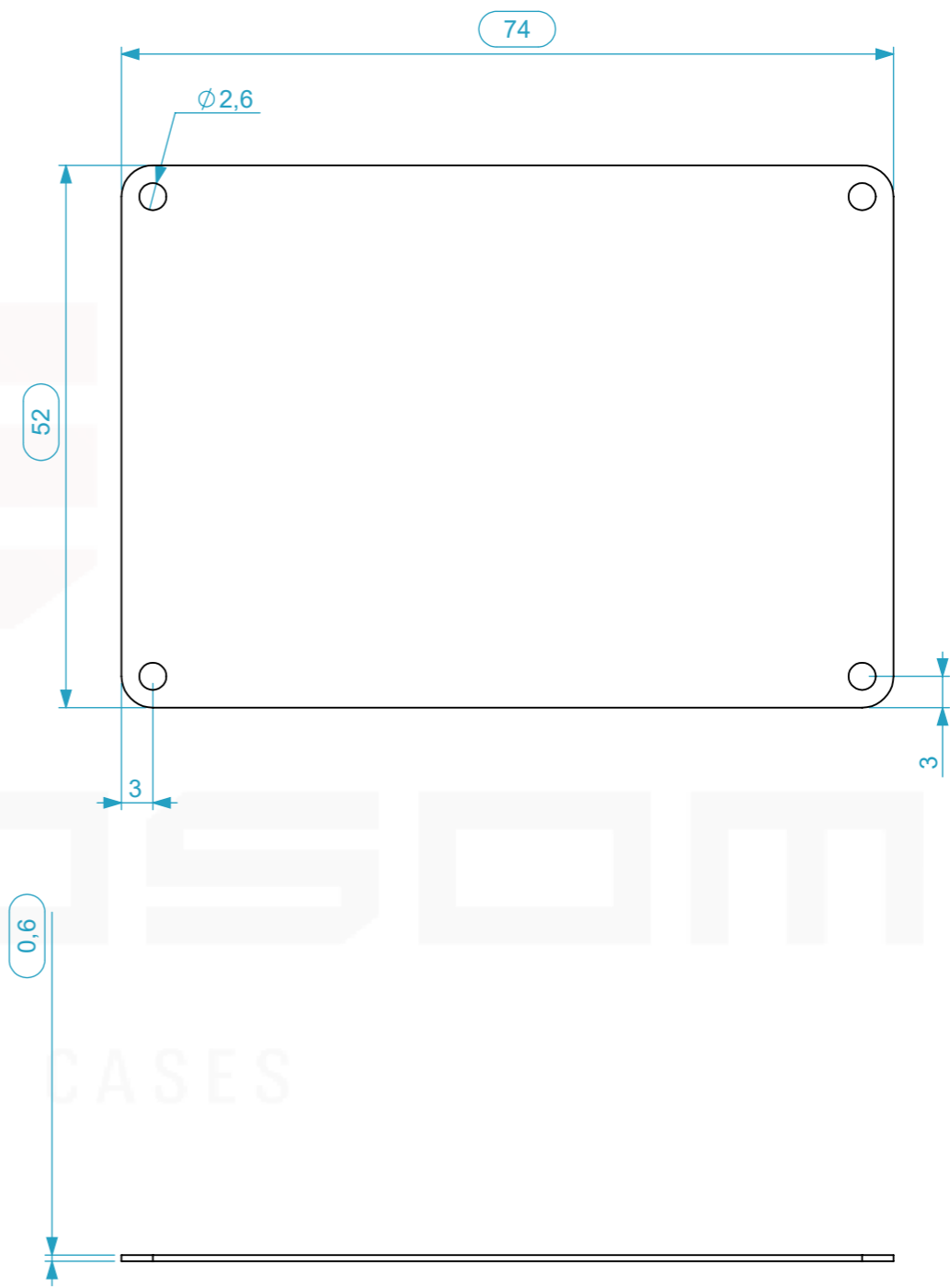


Chapa de aço - 0.6 mm de espessura
Lacado a preto texturado mate (RAL 9005)



General External Dimensions	
W	Width
D	Depth
H	Height

Name	Date
Drawn by paula.almeida	28/07/2022
Reference	PRT.LOGO.06A8
Scale	1.5:1
units in mm	general tolerance 0.8mm
DO NOT SCALE	
Placa Metálica A8 74x52x0,6mm Preta	



This drawing must not be copied or disclosed without consent of the owner



A3