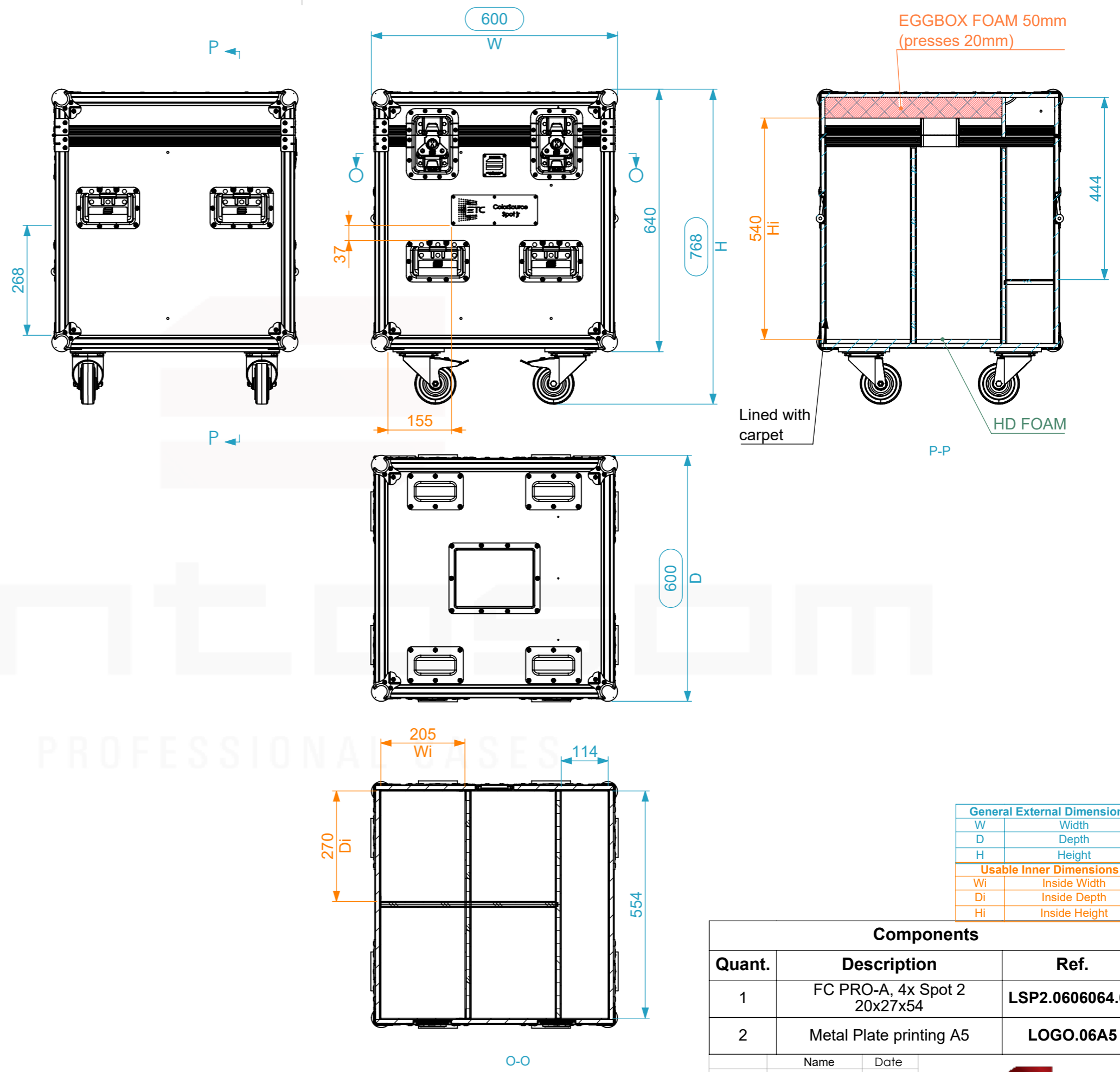
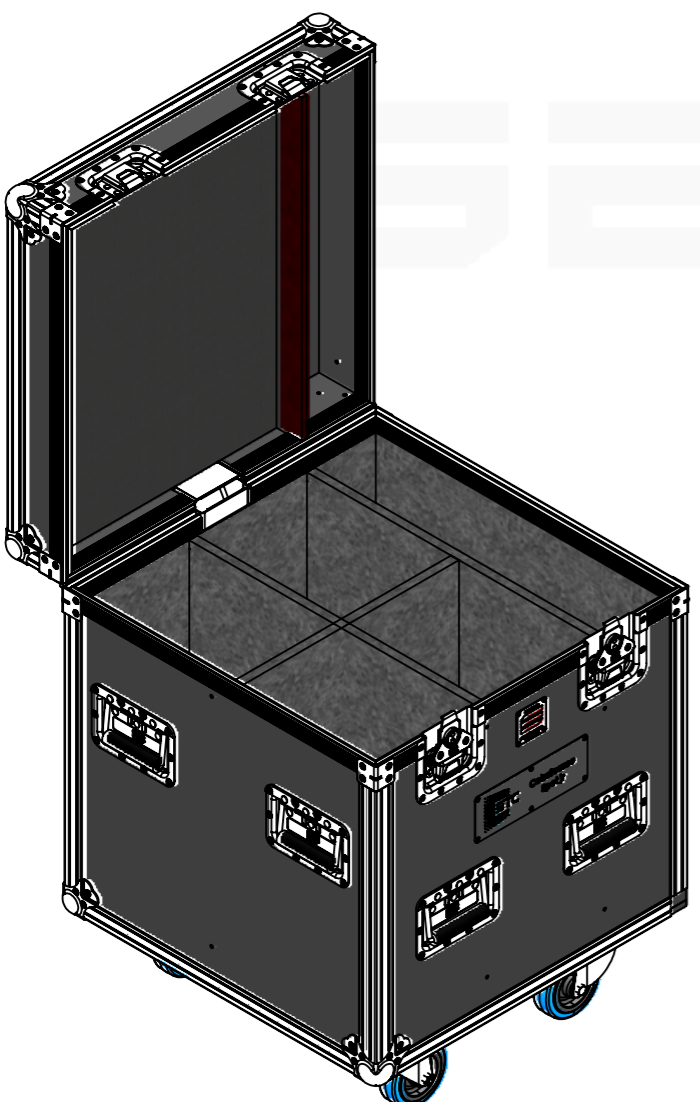
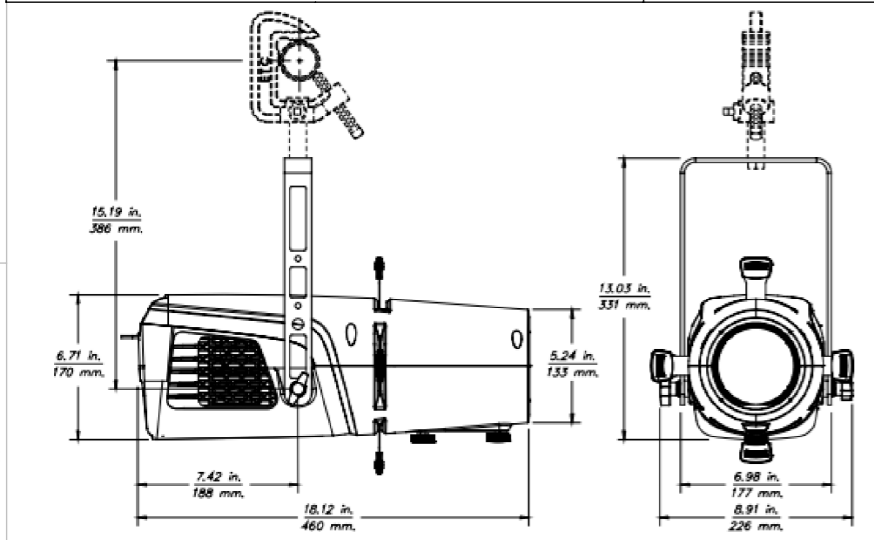


Equipment		ETC ColorSource Spot jr	
Width	Depth	Height	
226	226	540	
Weight	Approx.5.4 Kg		
Internal Dimensions			
Width	Depth	Height	
205	270	540	
Weight	Approx. 32.86 Kg		
Wall Thickness			10mm



General External Dimensions	
W	Width
D	Depth
H	Height
Usable Inner Dimensions	
Wi	Inside Width
Di	Inside Depth
Hi	Inside Height

Components		
Quant.	Description	Ref.
1	FC PRO-A, 4x Spot 20x27x54	LSP2.0606064.04
2	Metal Plate printing A5	LOGO.06A5

Drawn by	Name	Date
jose.couto	jose.couto	13/03/2023
Reference	PROJET.747	
Scale	units in mm	general tolerance
1:10	DO NOT SCALE	0.8mm
1st Angle projection	Flight case PRO-A 4x ETC ColorSource Spot jr + Access.	



A3 This drawing must not be copied or disclosed without consent of the owner