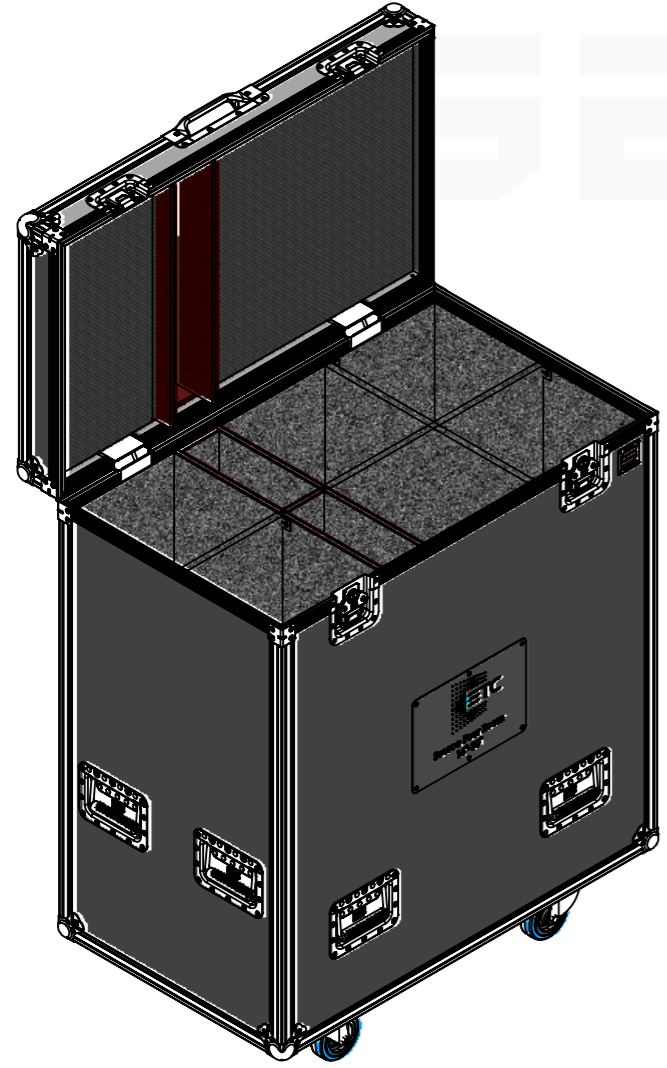
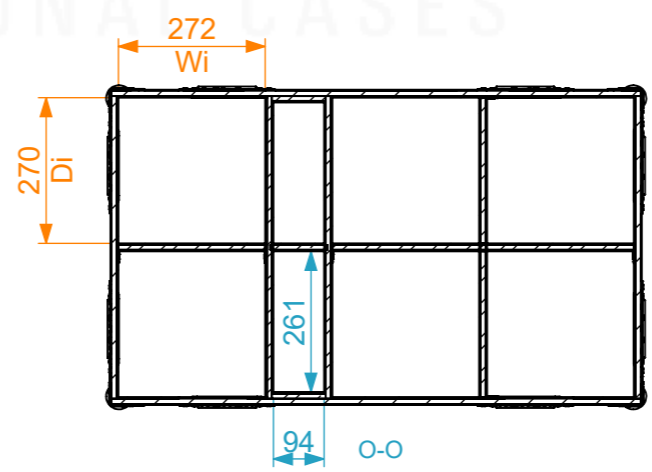
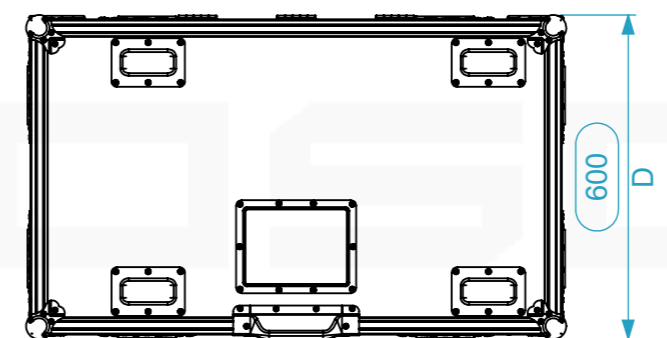
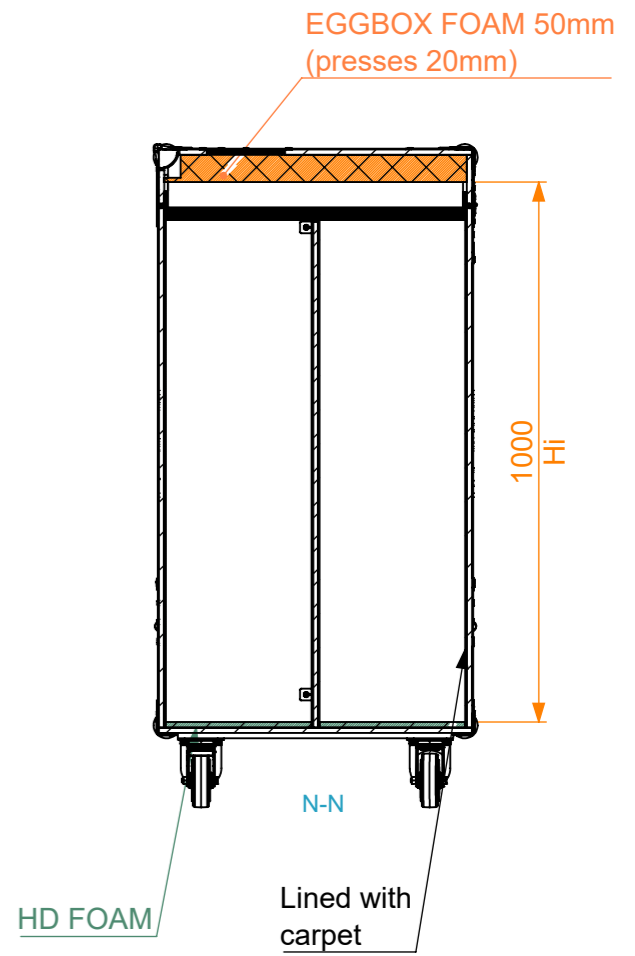
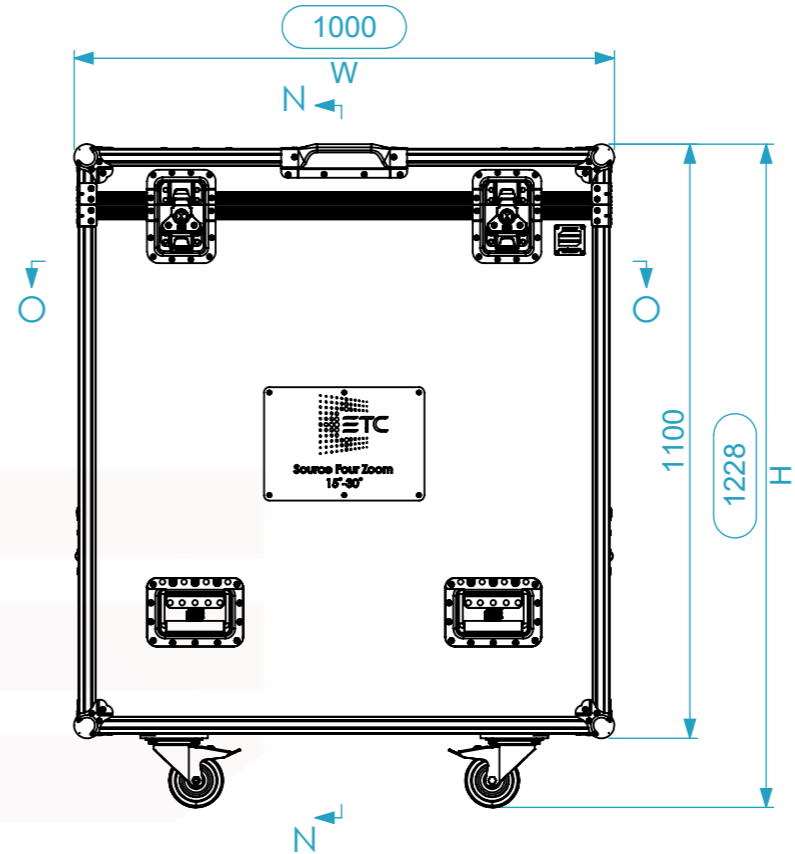
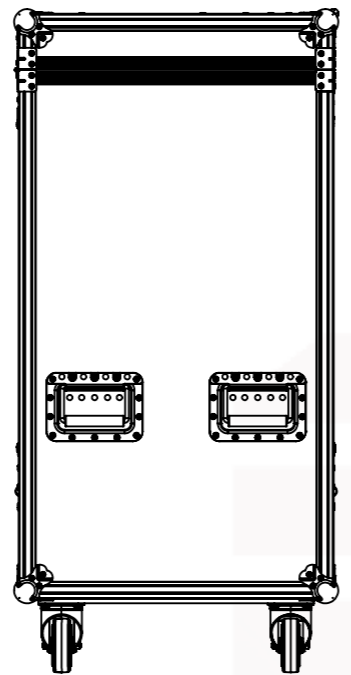
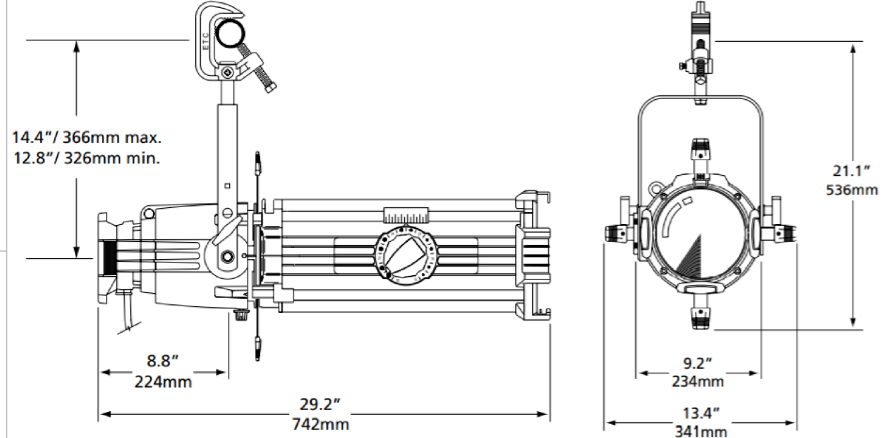


Equipment			ETC Source Four Zoom 15°-30°		
Width	Depth	Height			
341	341	742			
Weight	Approx.9.5 Kg				
Internal Dimensions					
Width	Depth	Height			
272	270	1000			
Weight	Approx. 71.41 Kg				
Wall Thickness		10mm			



General External Dimensions	
W	Width
D	Depth
H	Height
Usable Inner Dimensions	
Wi	Inside Width
Di	Inside Depth
Hi	Inside Height

Components		
Quant.	Description	Ref.
1	FC PRO-P, 6x Spot 3 272x270x1000	LSP3.10060110.06
2	Metal Plate printing A4	LOGO.06A4

Name	Date
Drawn by paula.almeida	24/05/2022
Reference	PROJET.743
Scale	1:14
units in mm	general tolerance 0.8mm
DO NOT SCALE	
Flight case PRO, 6x ETC Source Four Zoom 15°-30° (clamps on)	



This drawing must not be copied or disclosed without consent of the owner



A3