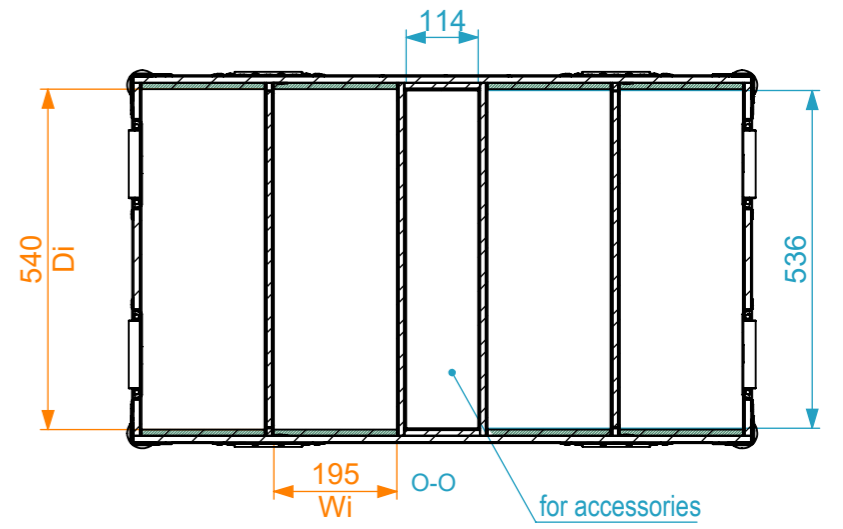
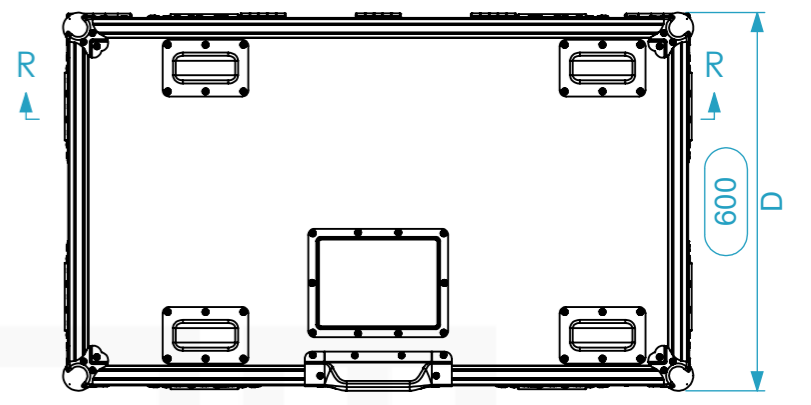
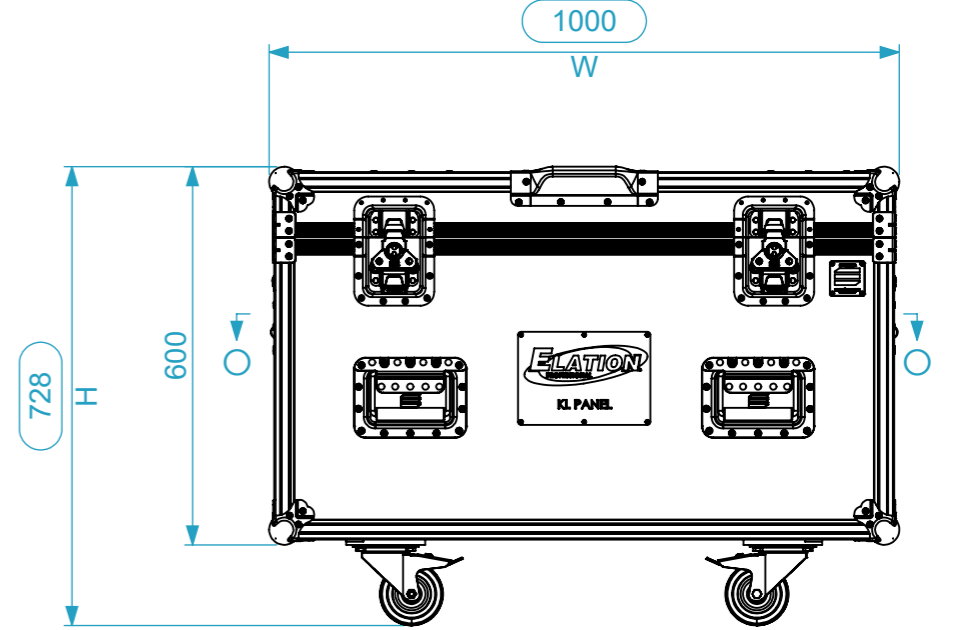
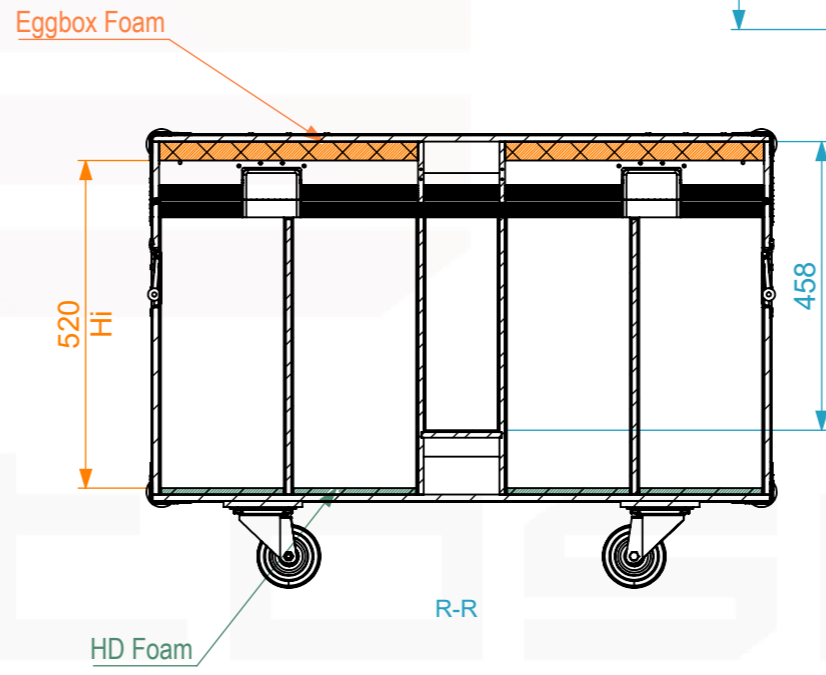
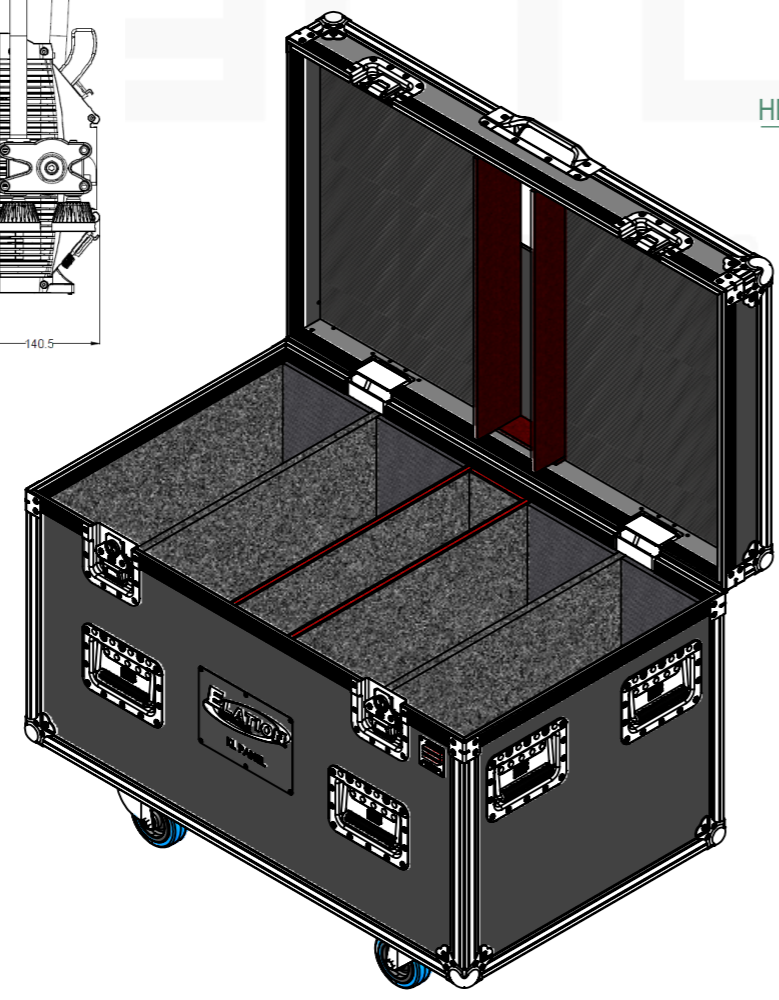
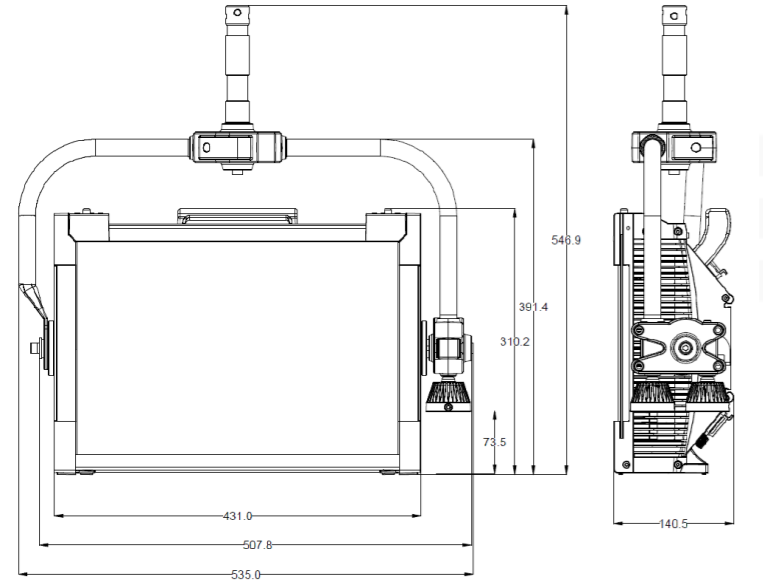
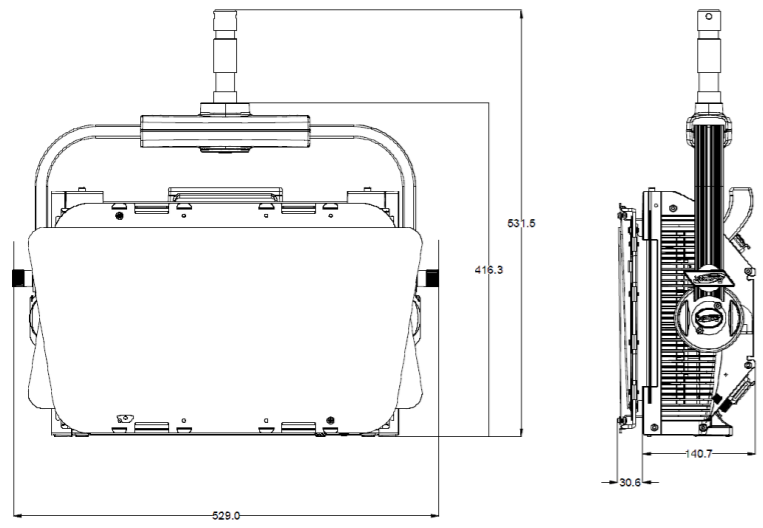


Equipment			ELALTION KL PANEL		
Width	Depth	Height			
528	170	532			
Weight	Approx. 13 Kg				
Internal Dimensions					
Width	Depth	Height			
195	540	520			
Weight	Approx. 48.36 Kg				
Wall Thickness		10mm			

With Barndoors ON
and P.O Bracket



General External Dimensions		Usable Inner Dimensions	
W	Width	Wi	Inside Width
D	Depth	Di	Inside Depth
H	Height	Hi	Inside Height

Name	projects	Date	12/05/2022
Reference	PROJET.742CO		
Scale	1:12	units in mm	DO NOT SCALE
		general tolerance	0.8mm
	Flight case PRO, 4x ELALTION KL PANEL (clamps on + access.)		



A3 This drawing must not be copied or disclosed without consent of the owner

