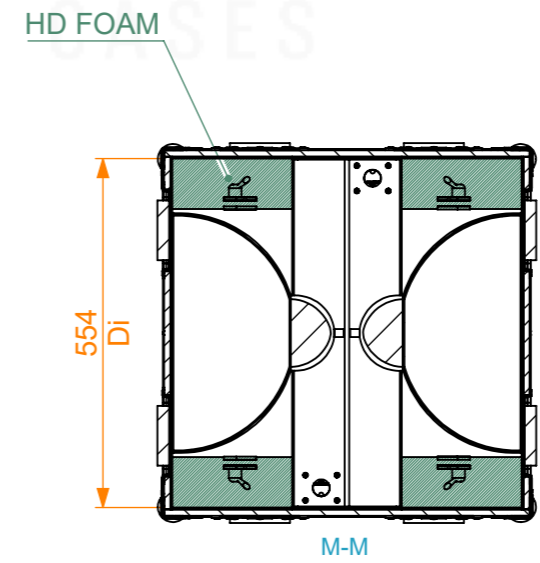
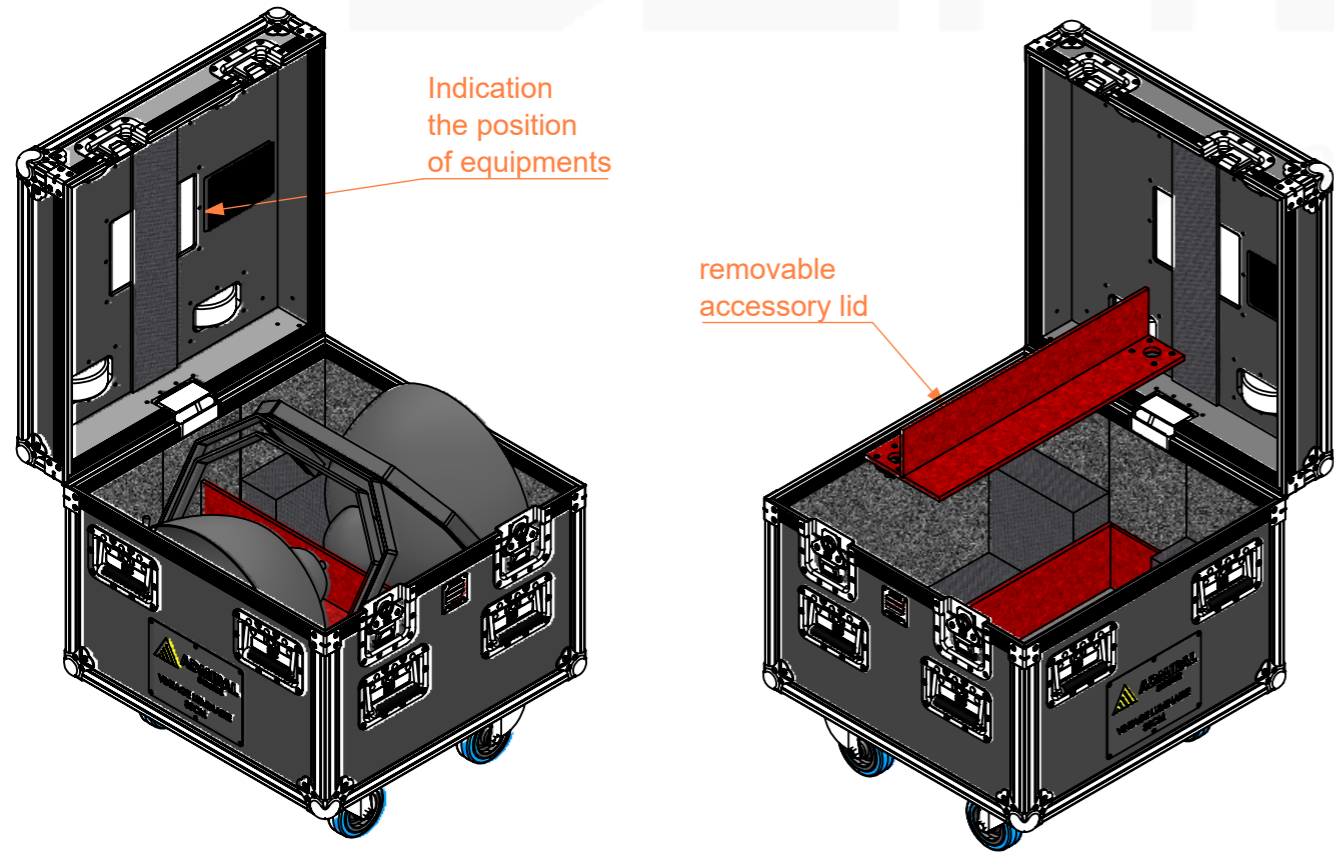
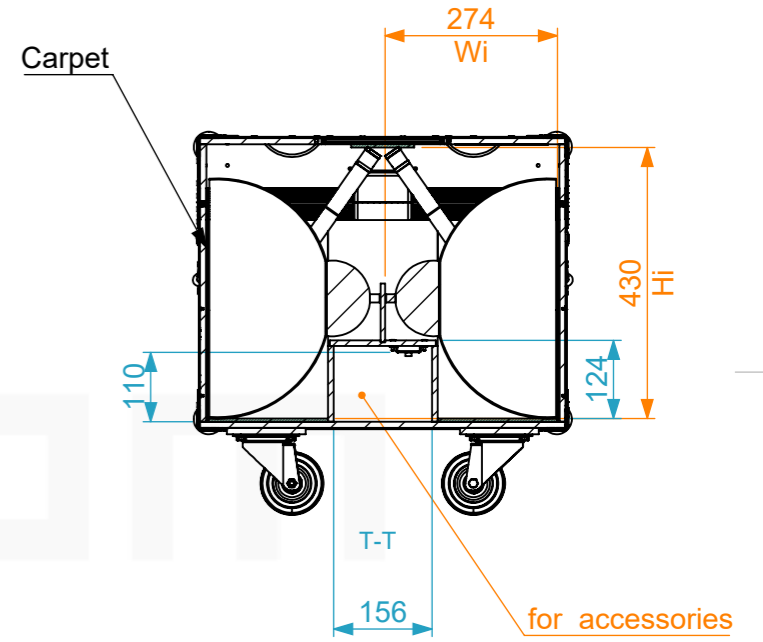
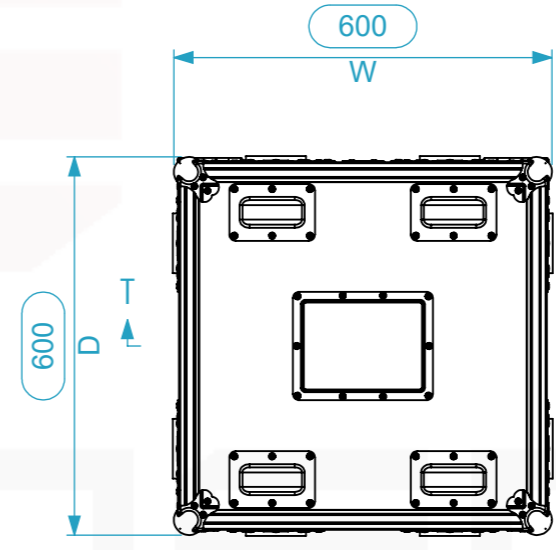
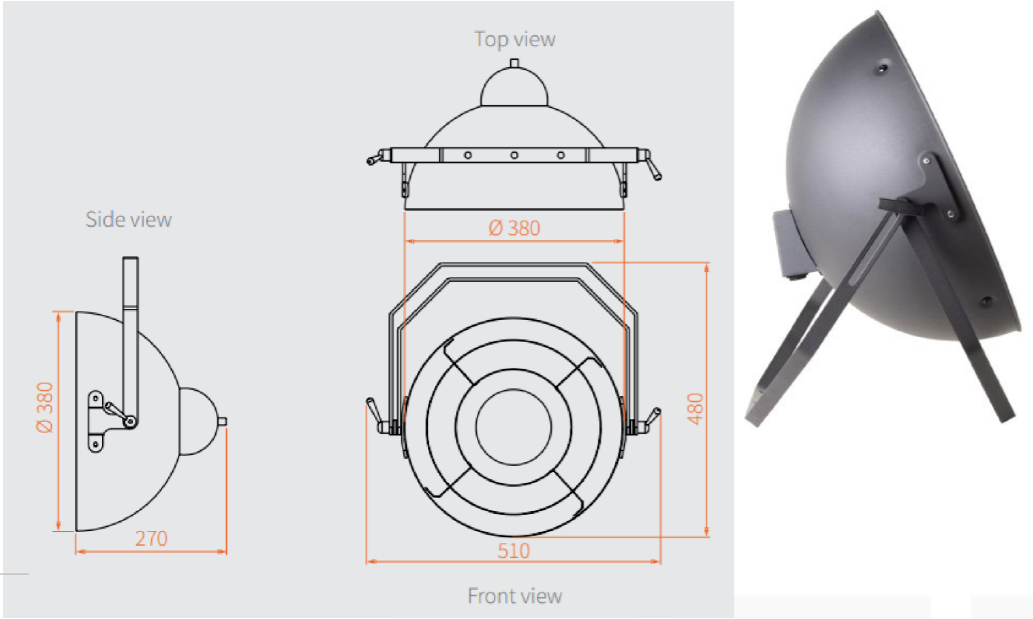
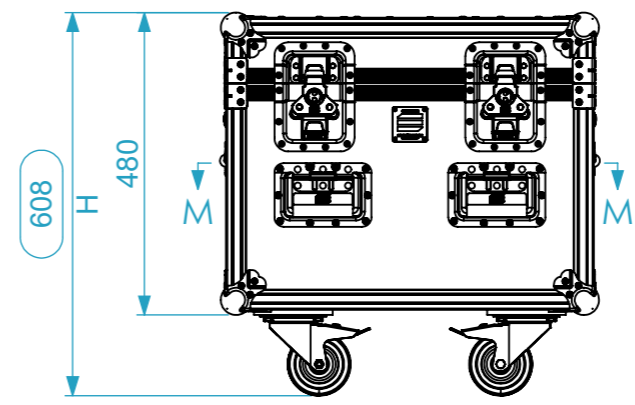


Equipment			Admiral Staging Vintage Luminaire 38cm		
Width	Depth	Height			
510	270	480			
Weight	Approx. 4.15 Kg				
Internal Dimensions					
Width	Depth	Height			
274	554	430			
Weight	Approx. 28.18 Kg				
Wall Thickness	10mm				



General External Dimensions	
W	Width
D	Depth
H	Height
Usable Inner Dimensions	
Wi	Inside Width
Di	Inside Depth
Hi	Inside Height

Name	projects	Date	29/06/2022
Reference	PROJET.732R		
Scale	1:12	units in mm	general tolerance 0.8mm
1st Angle projection	Flight case PRO. 2x Admiral Staging Vintage Luminaire 38cm		



This drawing must not be copied or disclosed without consent of the owner

A3