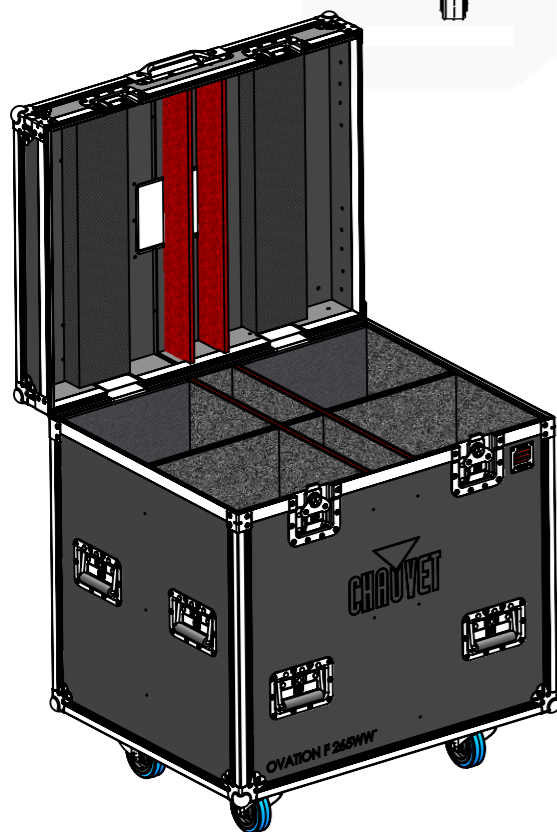
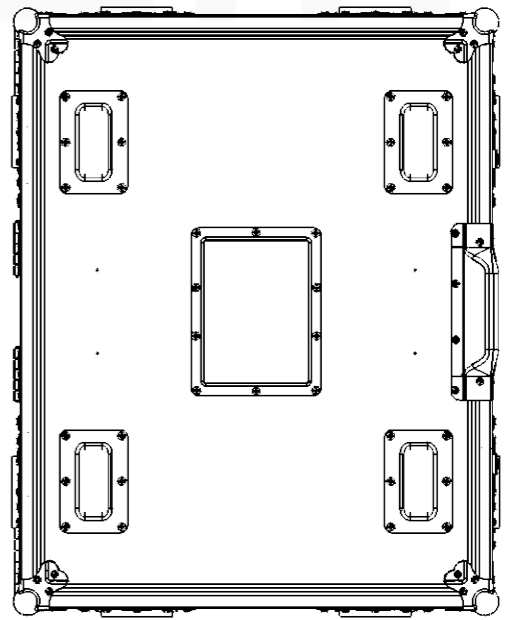
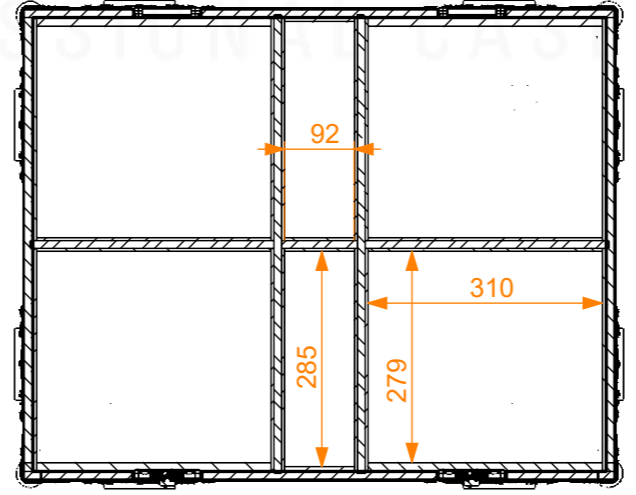
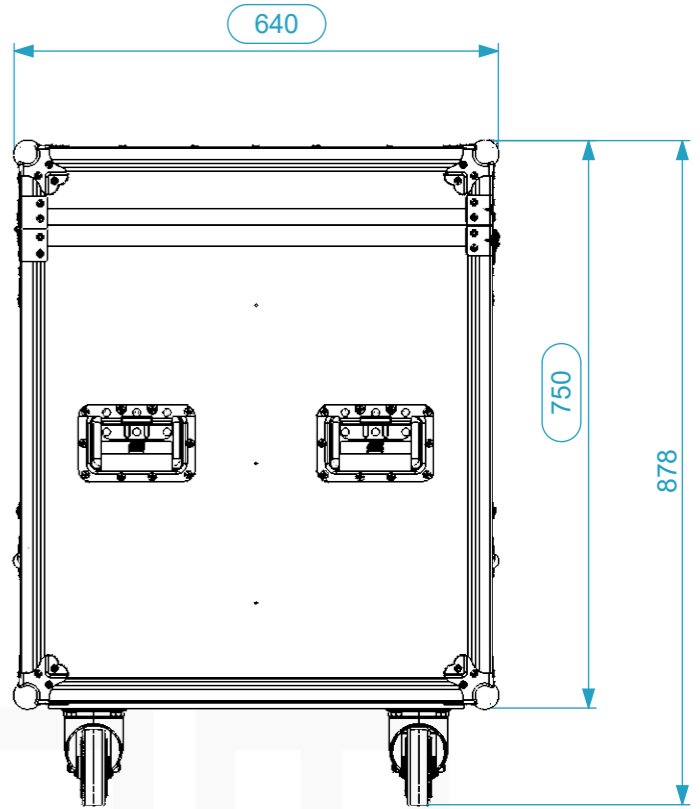
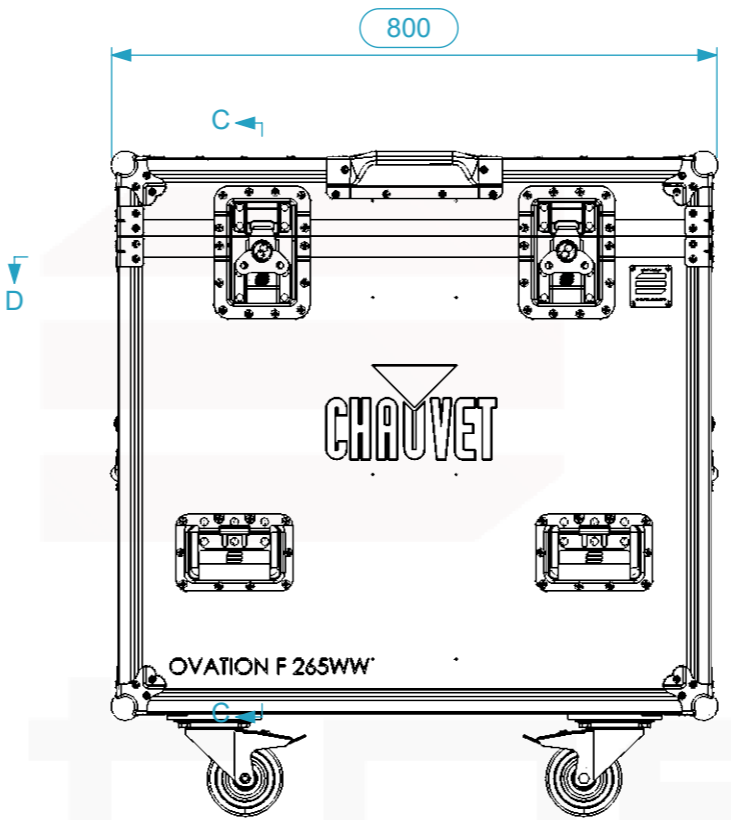
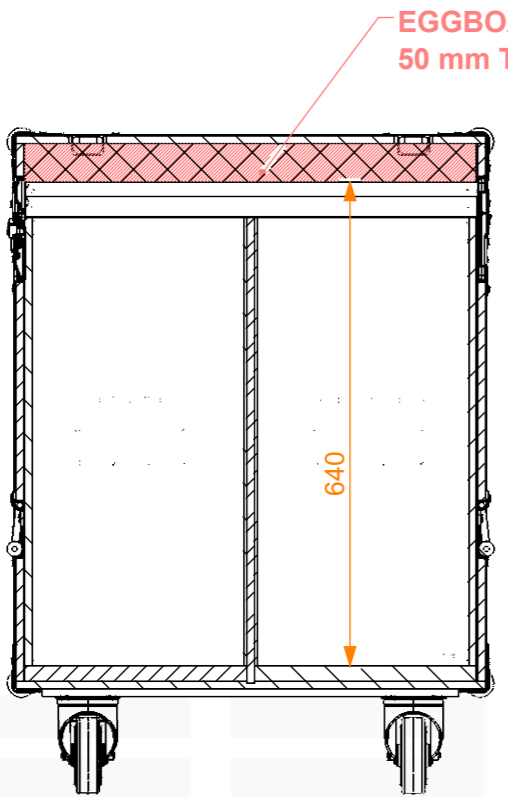


Equipment		
Chauvet Ovation F-265WW		
Width	Depth	Height
320	275	495
Internal Dimensions		
Width	Depth	Height
310	279	500
Weight	Approx. 45.81 Kg	
Wall Thickness	10mm	



General External Dimensions		Usable Inner Dimensions		Wood Inner Dimensions	
W	Width	Wi	Inside Width	WWi	Wood Inside Width
D	Depth	Di	Inside Depth	WDi	Wood Inside Depth
H	Height	Hi	Inside Height	WHi	Wood Inside Height

A3 This drawing must not be copied or disclosed without consent of the owner

Drawn by	Name	Date
CarlaSilva	CarlaSilva	17/02/2020
Reference	PROJET.712	
Scale	units in mm	general tolerance
1:10	DO NOT SCALE	0.8mm
1st Angle projection		
Flight case PRO, 4x Chauvet Ovation F-265WW		

