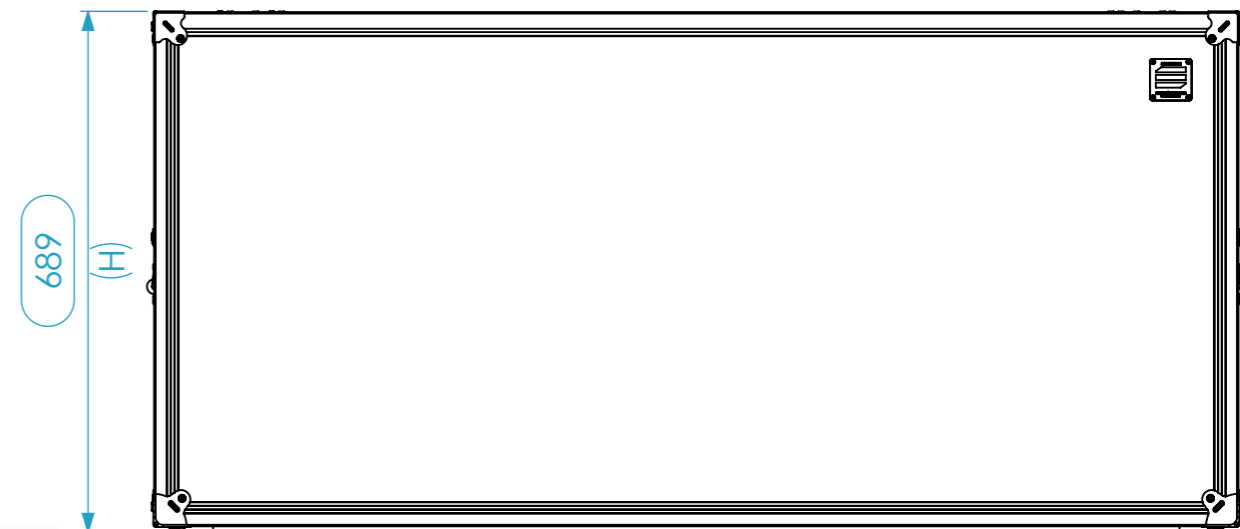
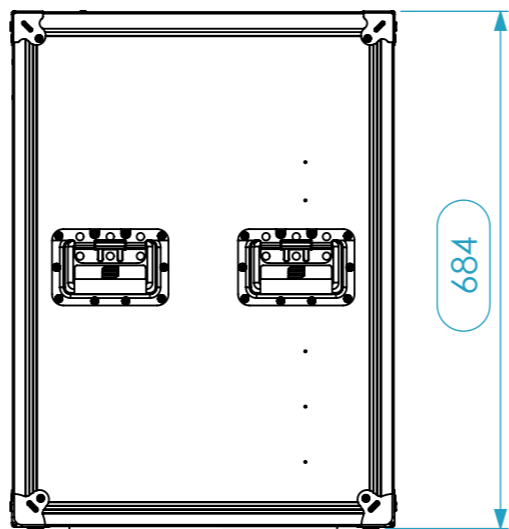
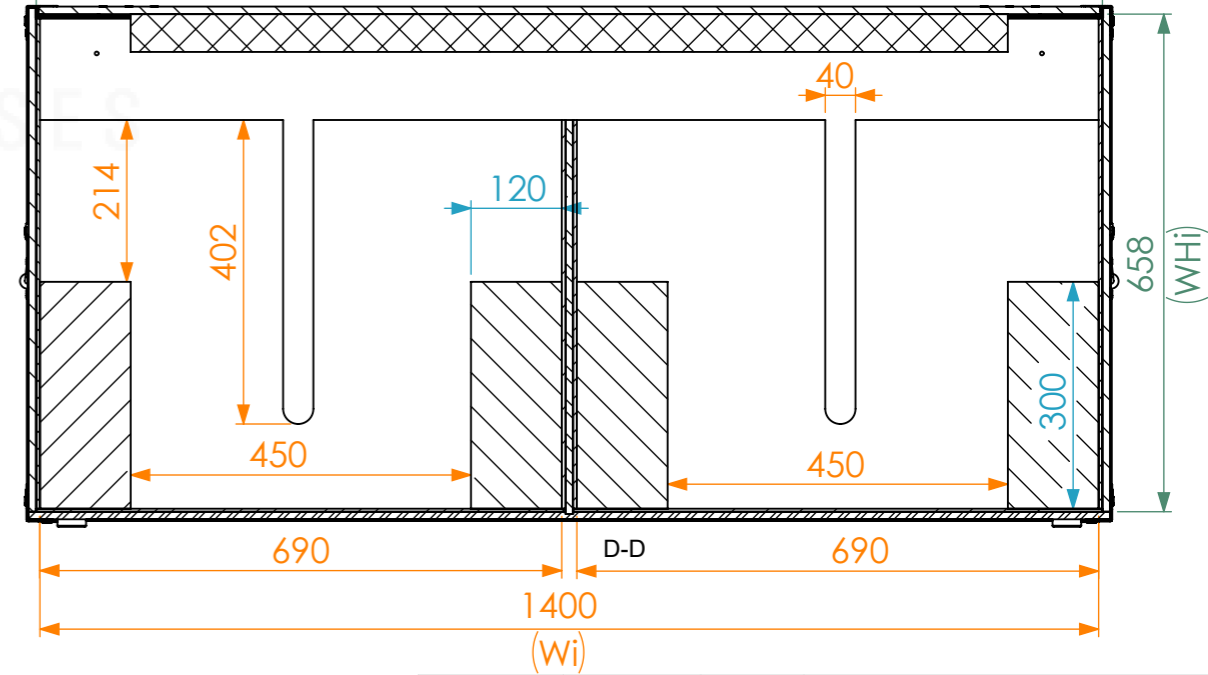
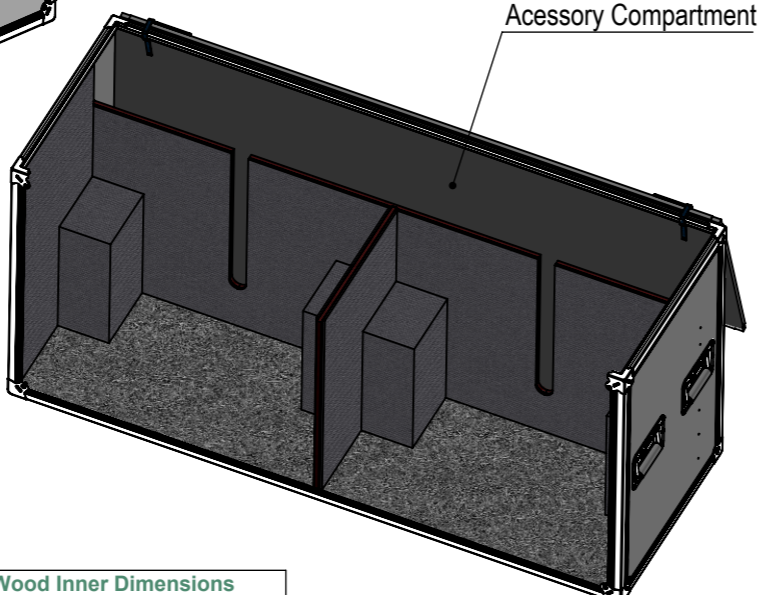
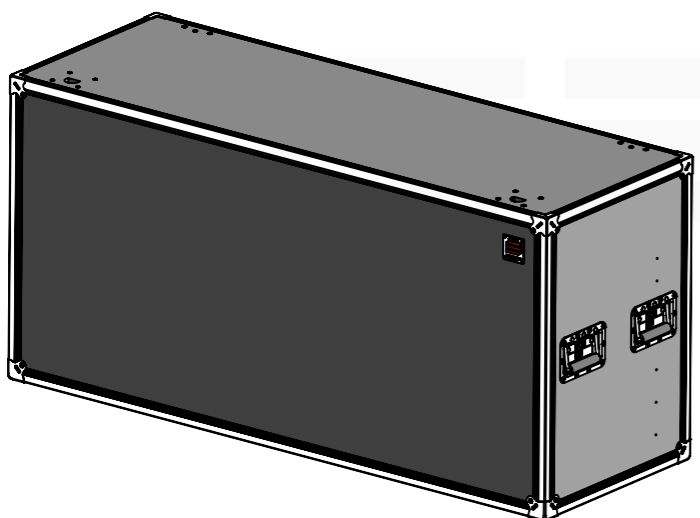
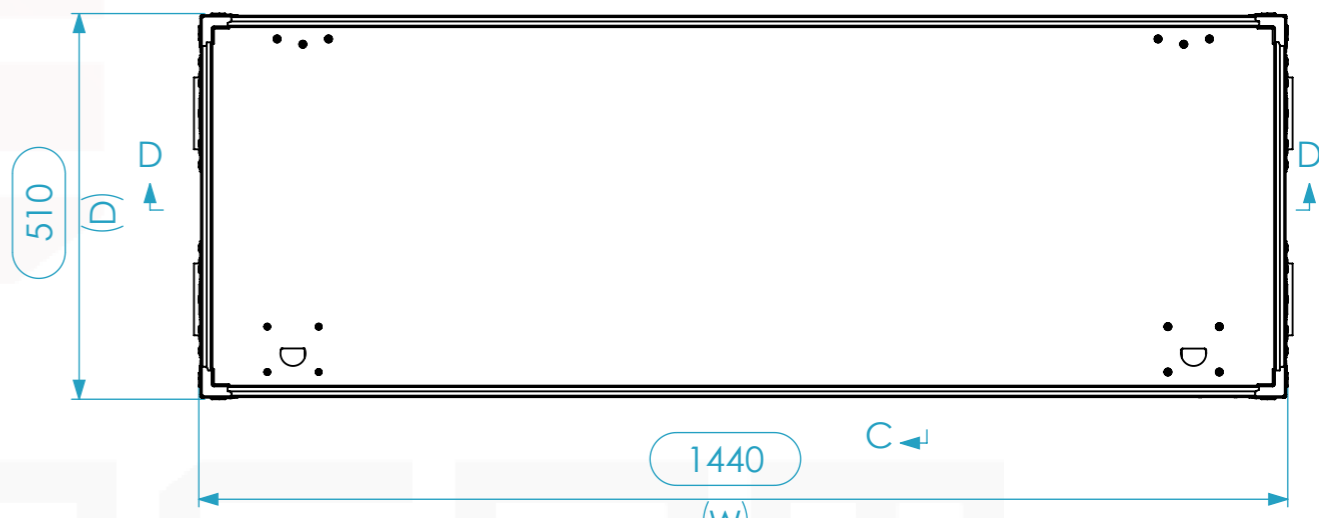
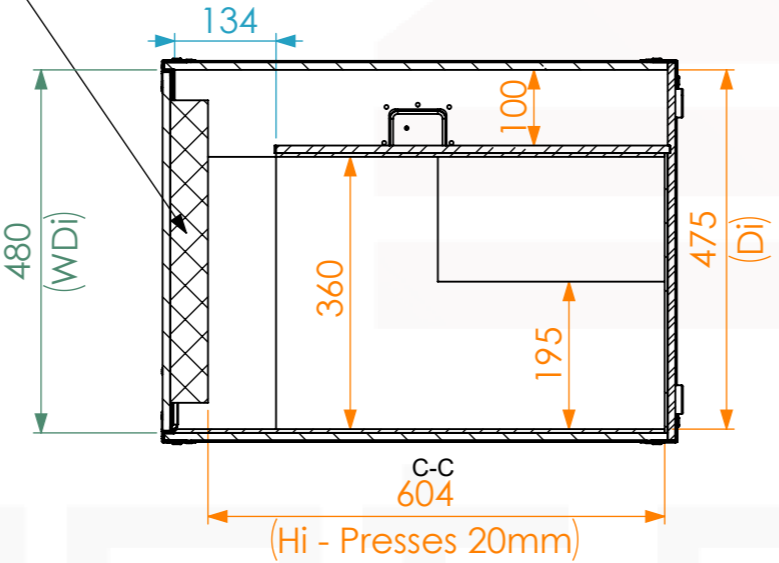


Equipment			PAT 750		
Width	Depth	Height			
670	350	610			
Internal Dimensions					
Width	Depth	Height			
1400	475	604			
Weight	Approx. 33 Kg				
Wall Thickness			10mm		



Pressing Eggbox  
Foam  
50 mm thick



General External Dimensions		Usable Inner Dimensions		Wood Inner Dimensions	
W	Width	Wi	Inside Width	WWi	Wood Inside Width
D	Depth	Di	Inside Depth	WDi	Wood Inside Depth
H	Height	Hi	Inside Height	WHi	Wood Inside Height

Name	Date
Drawn by	CatarinaHenriques 05/12/2018
Reference	PROJET.687
Scale	1:10
units in	mm
DO NOT SCALE	general tolerance 0.8mm
1st Angle projection	FLIGHT CASE X-BOX, 2X PAT 750



A3 This drawing must not be copied or disclosed without consent of the owner