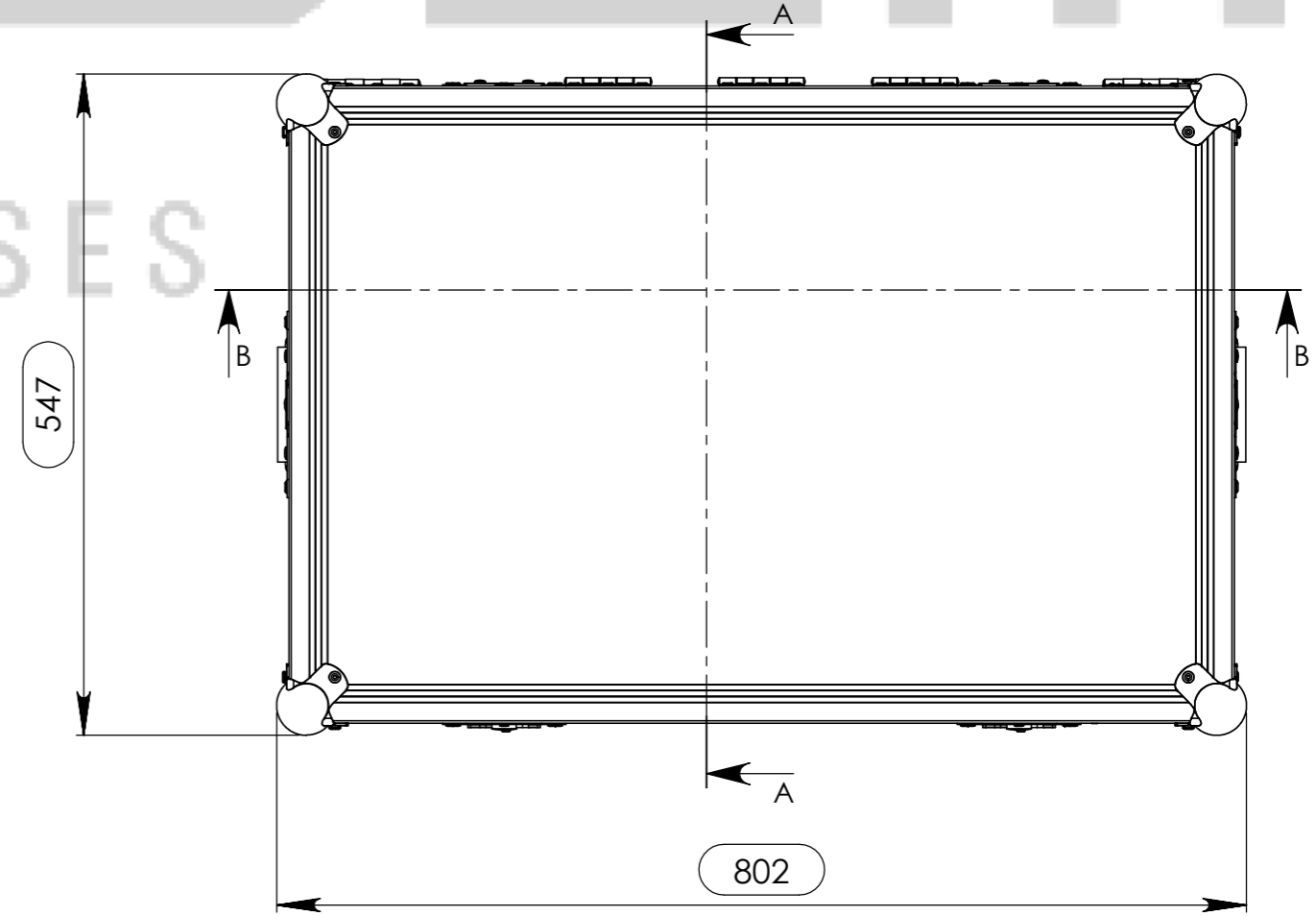
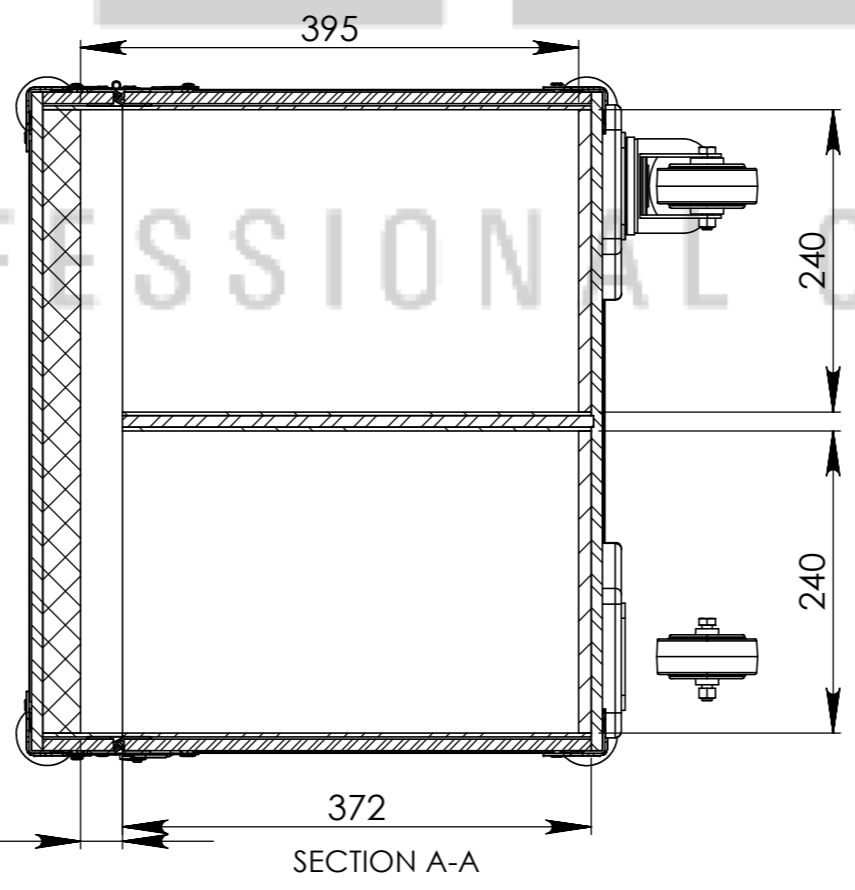
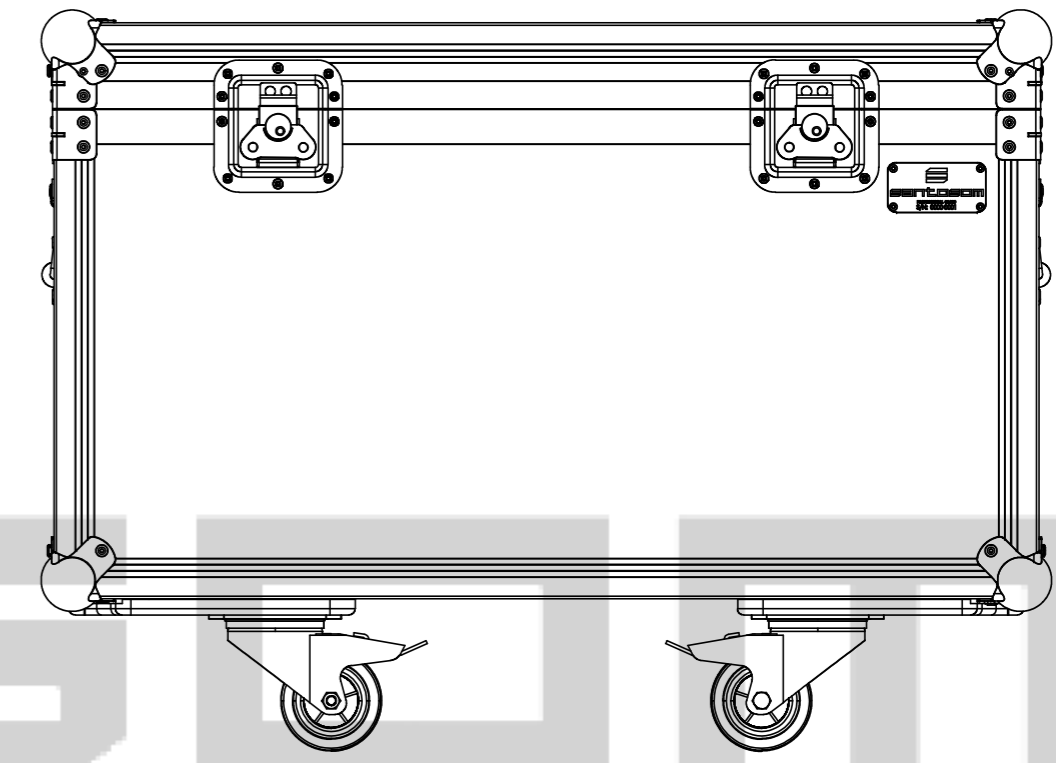
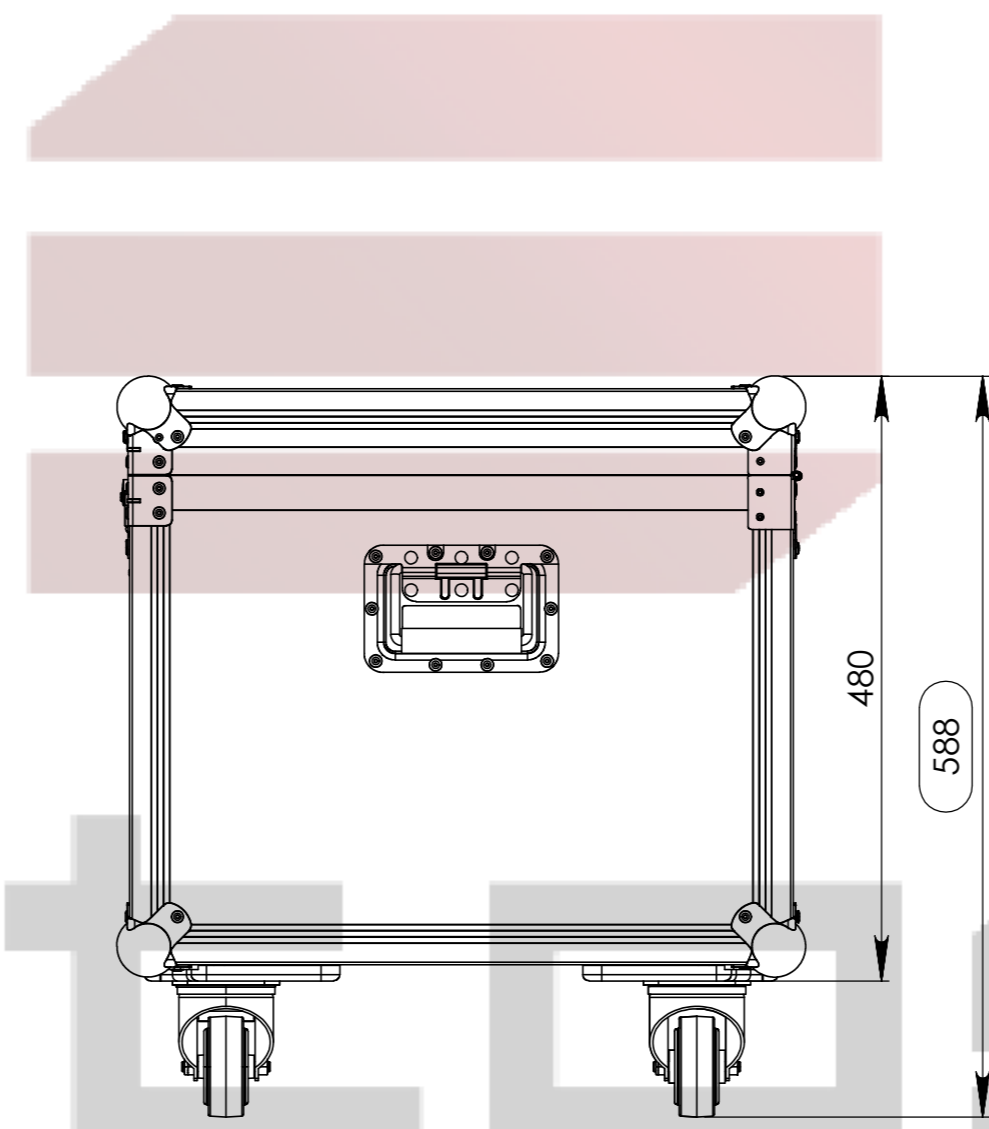
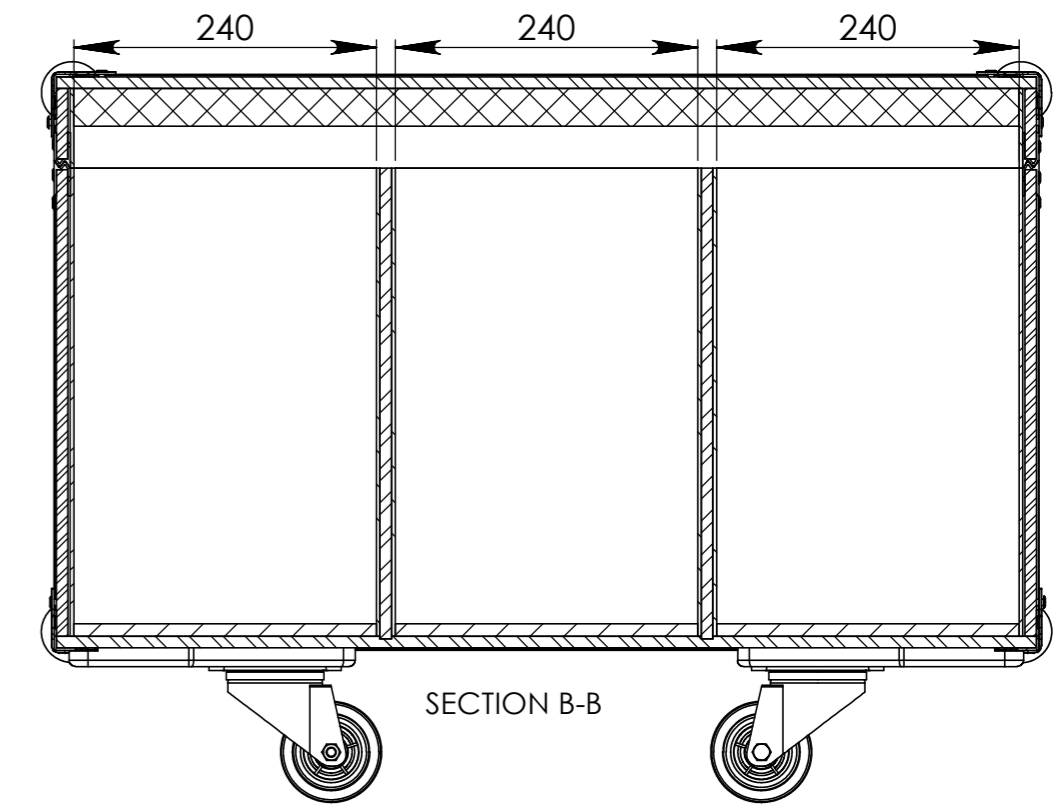
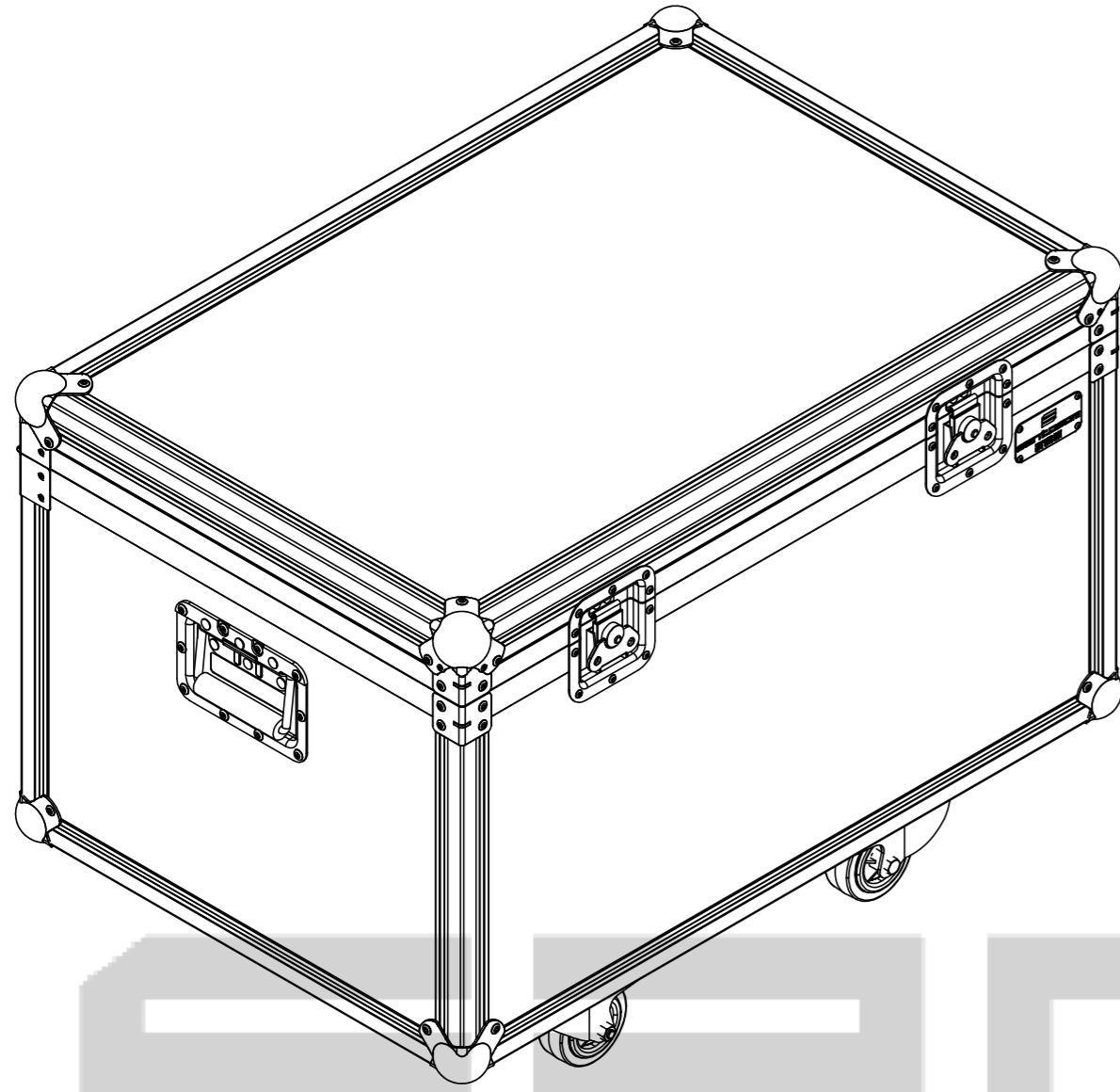


Interior dimensions

Width	Depth	Height
240	240	395
Weight	Approx. 26 Kg	
Wall Thickness	9mm	

REVISIONS				
ZONE	REV.	DESCRIPTION	DATE	APPROVED
-	-	Final Drawing	07/05/2014	Daniel Lopes



BOM Table	
AL32_H9/QTY.	Description
4	Large corner bracket f. 35mm case angle
2	110MM hinge shot
3	Medium duty butt hinge z./p.
2	Recessed sprung handle medium model
2	Key lockable medium Butterfly special
2	Medium recessed lid stay
8	Medium ball corner zinc plated
2	Swivel castor Ø80 mm with brake
2	Swivel castor Ø80 mm without brake

Drawn by	Daniel Lopes	Name	Daniel Lopes	Date	07-05-2014
Reference	PROJET.6406R	Scale	1:6	general tolerance	± 0.1mm
This drawing must not be copied or disclosed without consent of the owner		Scale 1:6 1st Angle projection	general tolerance ± 0.1mm	FC_6X PAR64 SHORT H400, RODAS	

