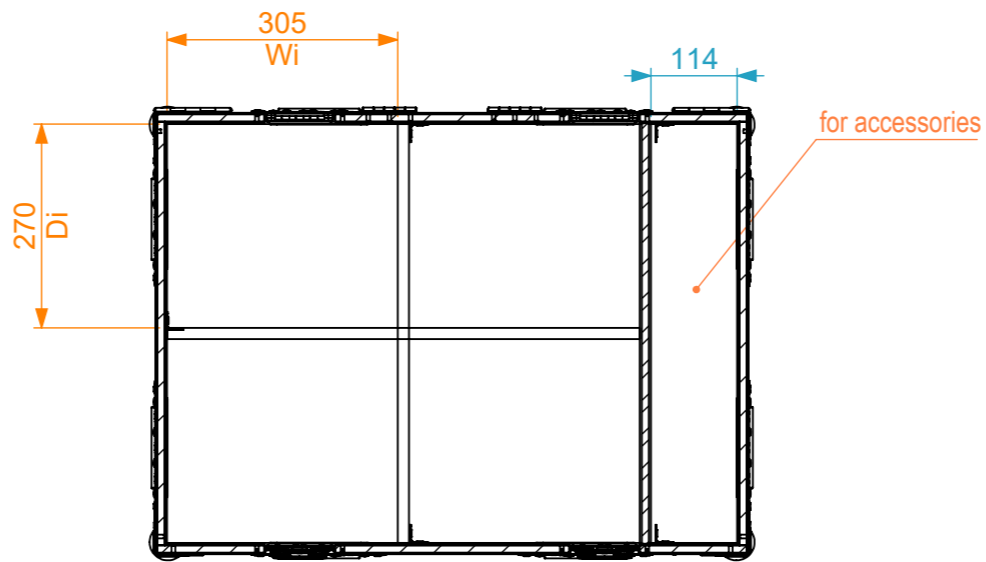
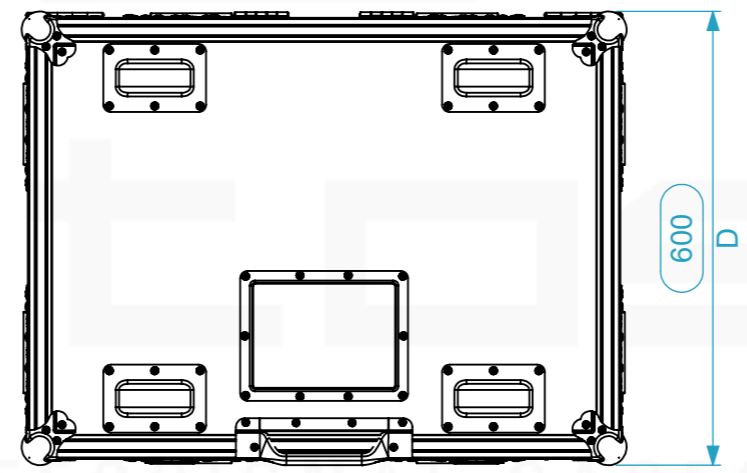
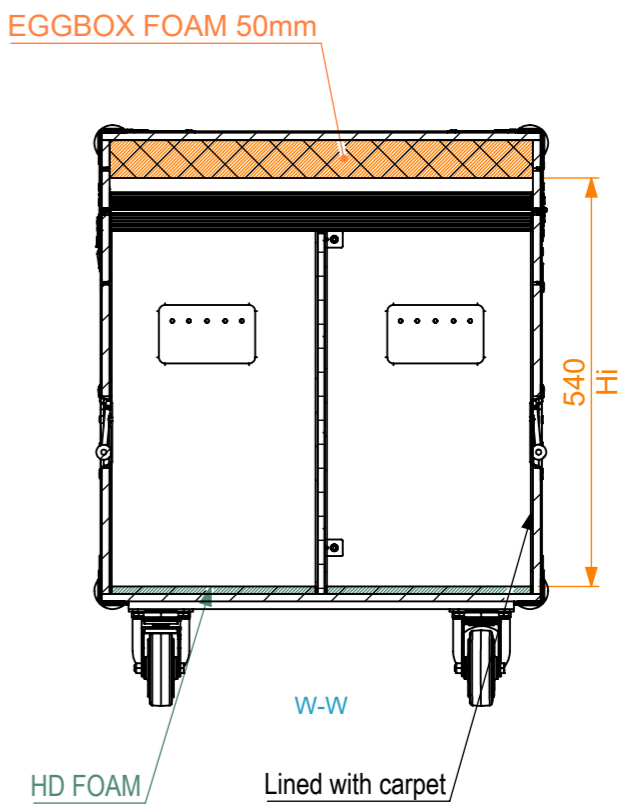
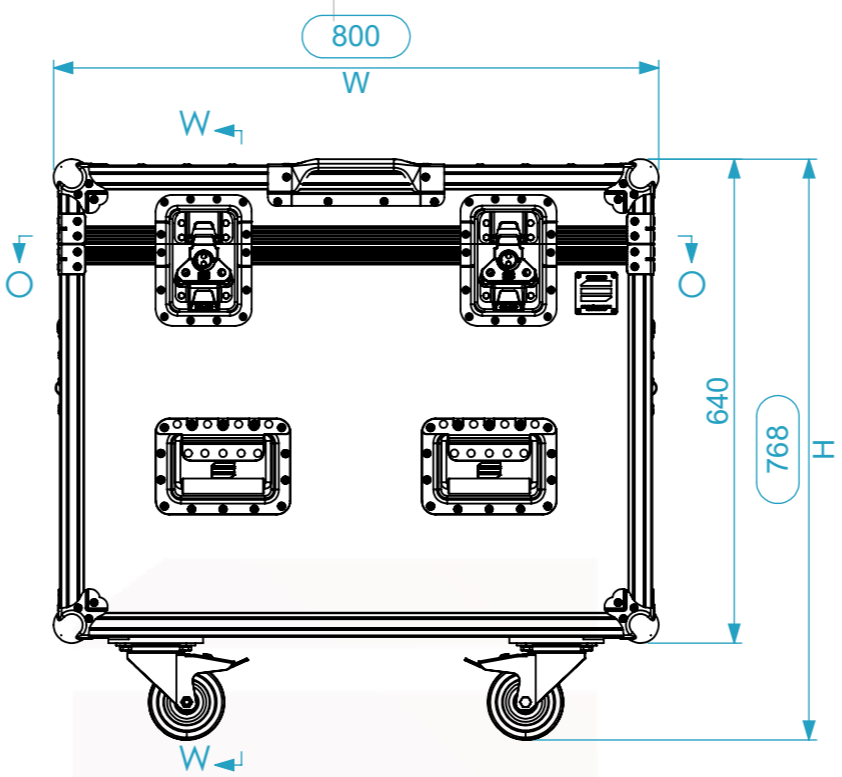
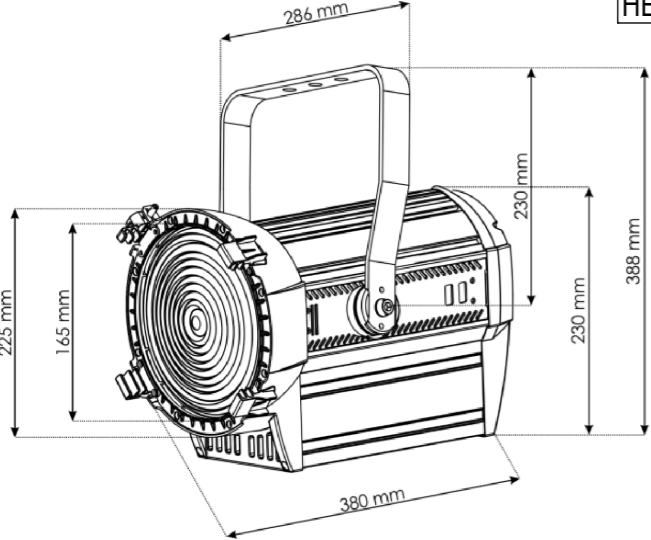


| | | |
|----------------------------|---|---------------|
| Equipment | Showtec Performer Fresnel 2000 DDT MKII | |
| Width | Depth | Height |
| 290 | 290 | 380 |
| Weight | Approx. 6,6Kg | |
| Internal Dimensions | | |
| Width | Depth | Height |
| 305 | 270 | 540 |
| Weight | Approx. 43.18 Kg | |
| Wall Thickness | | 10mm |

HEIGHT WITH CLAMPS = 580mm



| General External Dimensions | |
|-----------------------------|---------------|
| W | Width |
| D | Depth |
| H | Height |
| Usable Inner Dimensions | |
| Wi | Inside Width |
| Di | Inside Depth |
| Hi | Inside Height |

| | | | |
|-----------------------------|--|--------------------------|--------------|
| Name | projects | Date | 11/02/2022 |
| Reference | PROJET.607 | | |
| Scale | 1:10 | units in mm | DO NOT SCALE |
| | | general tolerance | 0.8mm |
| 1st Angle projection | FC PRO. 4x Showtec Performer Fresnel 2000 DDT MKII | | |



This drawing must not be copied or disclosed without consent of the owner

A3