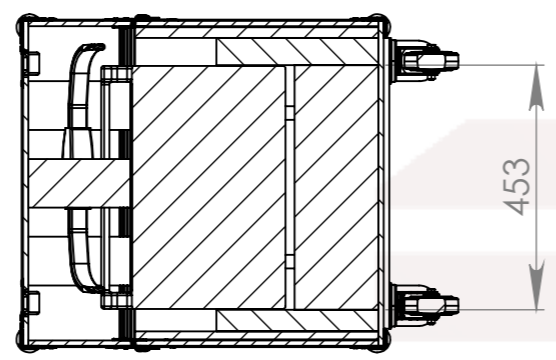
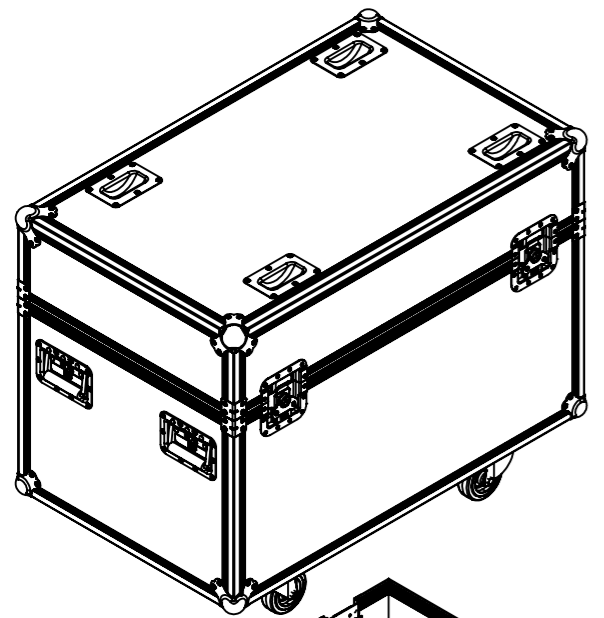
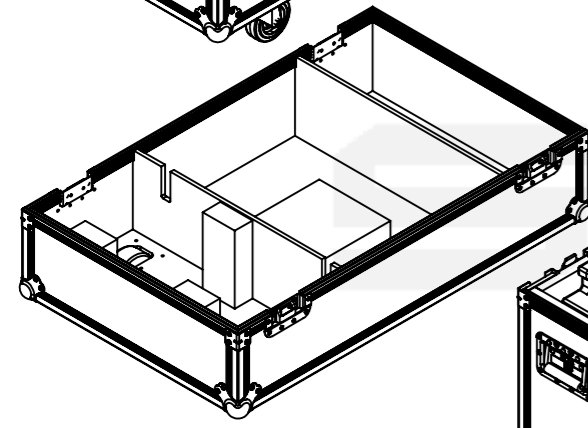
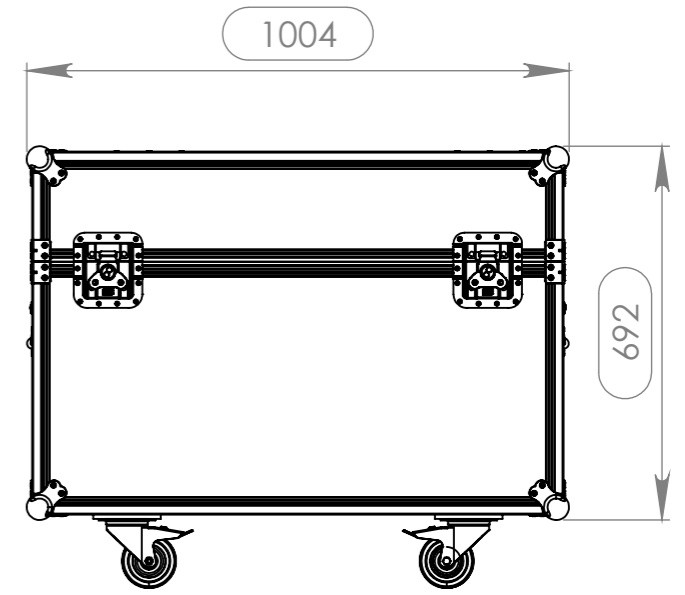
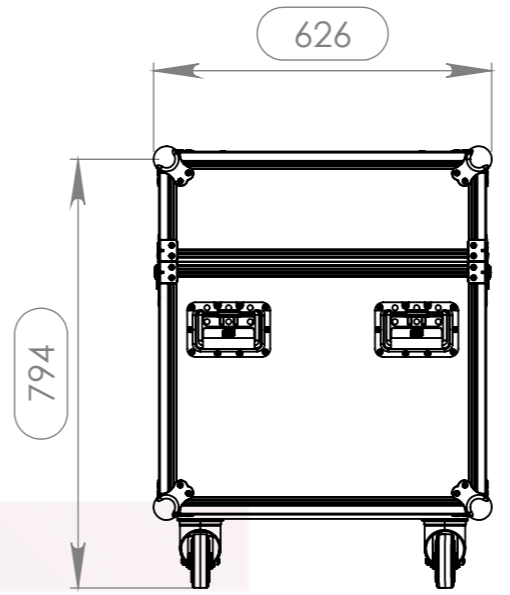


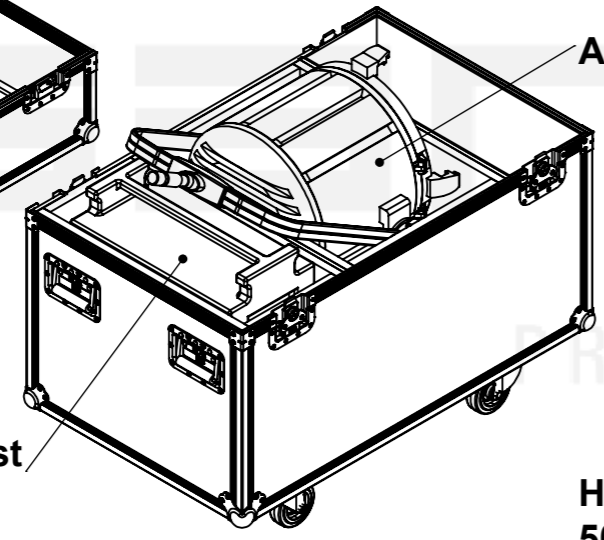
<b>Equipment</b>	ARRI TRUE BLUE D40 / Ballast ARRI L2.76640.0	
<b>Width</b>	<b>Depth</b>	<b>Height</b>
534 / 450	403 / 243	859 / 358
<b>Internal Dimensions</b>		
<b>Width</b>	<b>Depth</b>	<b>Height</b>
538 / 453	405 / 245	558 / 304
<b>Weight</b>	Approx. 42 Kg	
<b>Wall Thickness</b>	10mm	



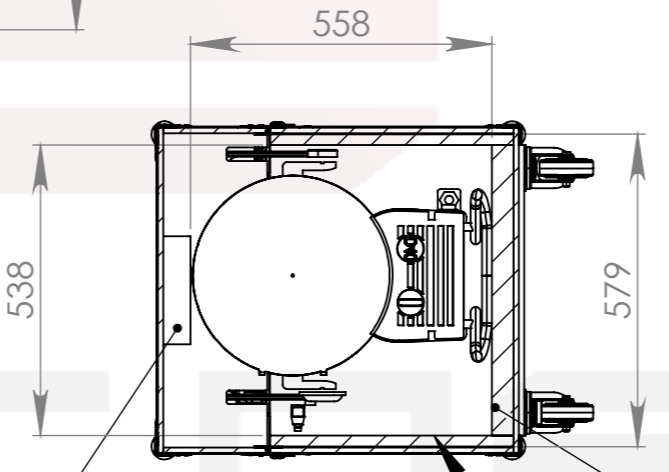
SECTION F-F



ARRI Ballast L2.76640.0



ARRI D40



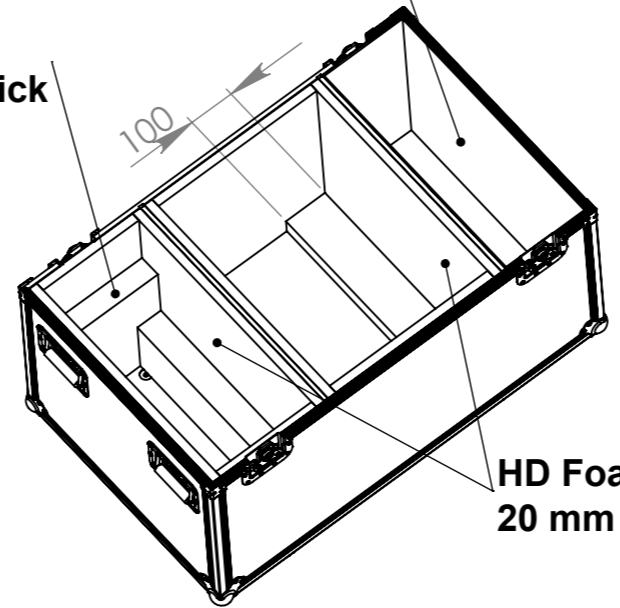
SECTION B-B

HD Foam 50 mm thick

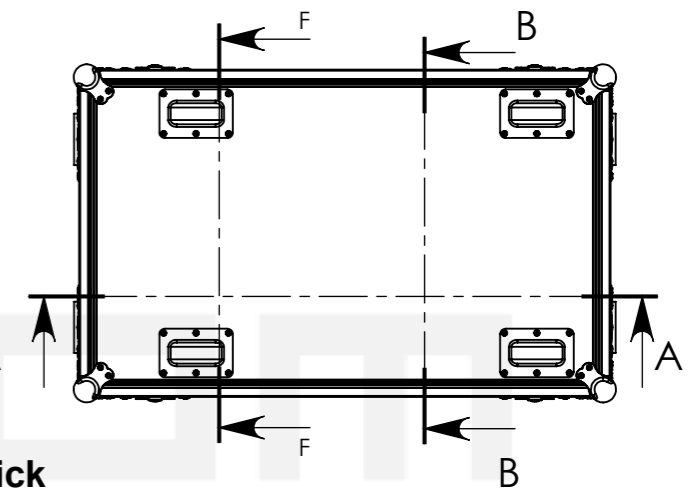
HD Foam 40 mm thick  
HD Foam 20 mm thick

Compartment for accessories with carpet lining

HD Foam 50 mm thick



HD Foam 20 mm thick

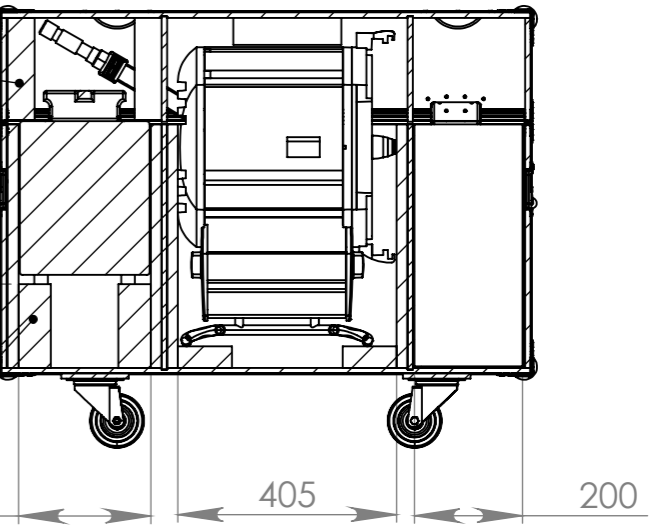


SECTION A-A

HD Foam 50 mm thick

HD Foam 60 mm thick

Hardware		
Qty	Ref.	Description
8	40403	Large corner bracket f. 35mm case angle
2	RODA.100T	Swivel castor Ø100mm with brake
2	RODA.100	Swivel castor Ø100 mm
4	34082	Recessed sprung handle medium model
4	172531	Large butterfly V3 with 'push-back' function
4	38083	Castor dish deep zinc plated
8	4101	Heavy duty ball corner, zinc plated



Drawn by	alexandre	Date	05/12/2016
Reference	PROJET.520		
Scale	1:14	units in mm	general tolerance 0.8mm
FC. ARRI TRUE BLUE D40 + BALLAST, RODAS (VERSÃO TRUSSBOX)			



This drawing must not be copied or disclosed without consent of the owner

1st Angle projection

A3