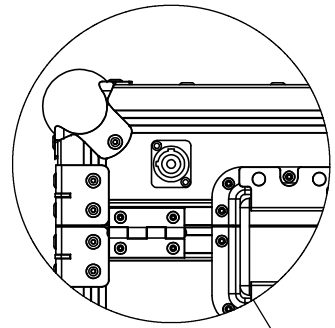
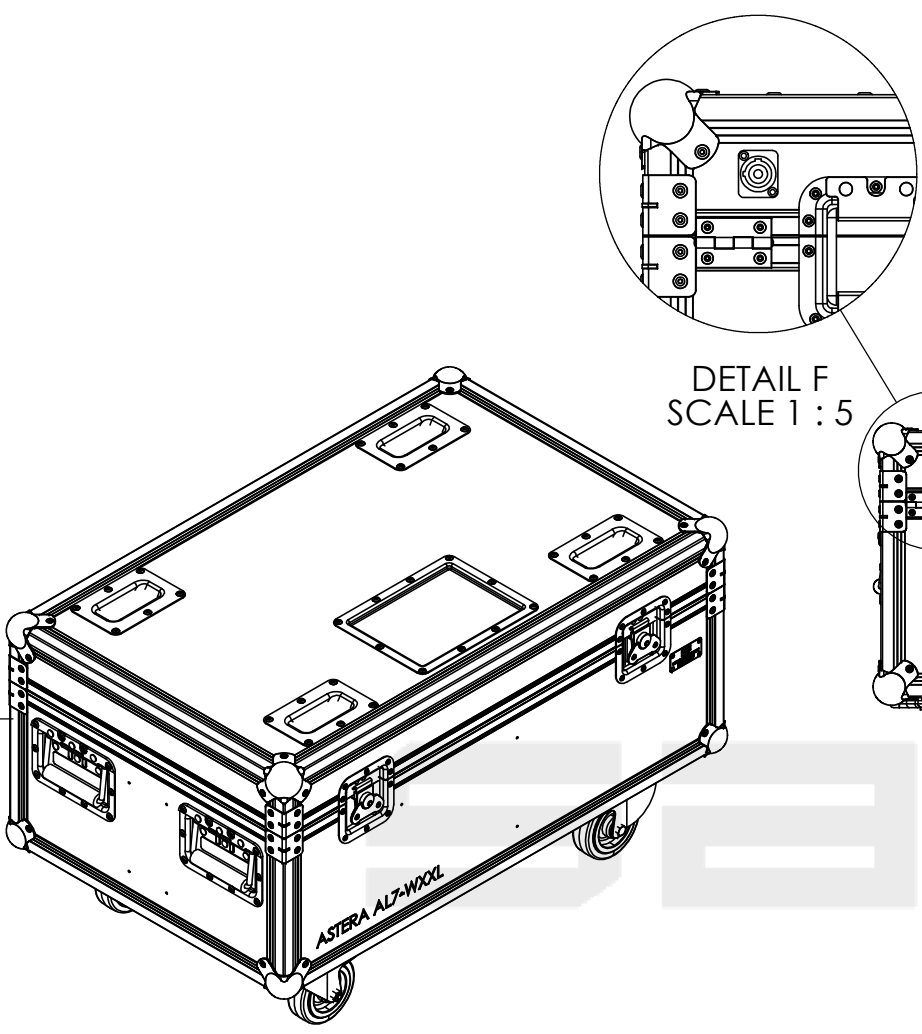
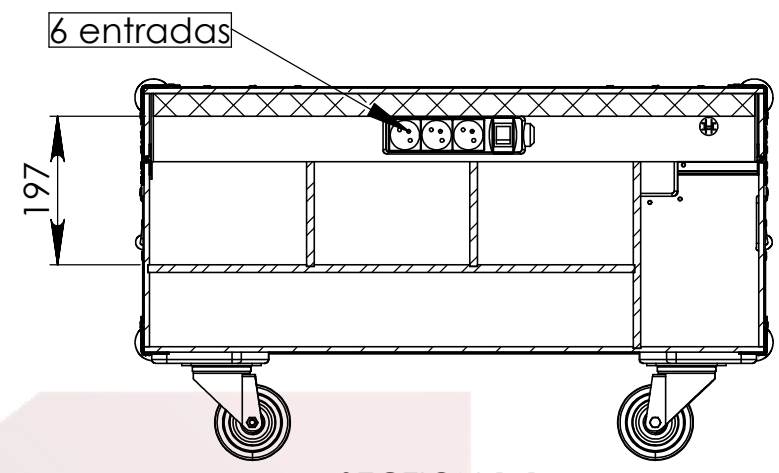
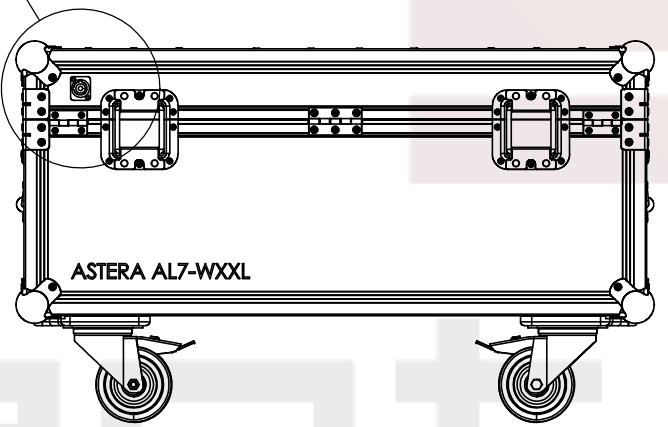


Interior dimensions		
Width	Depth	Height
200	200	295
Weight	Approx. 25 Kg	
Wall Thickness	7mm	

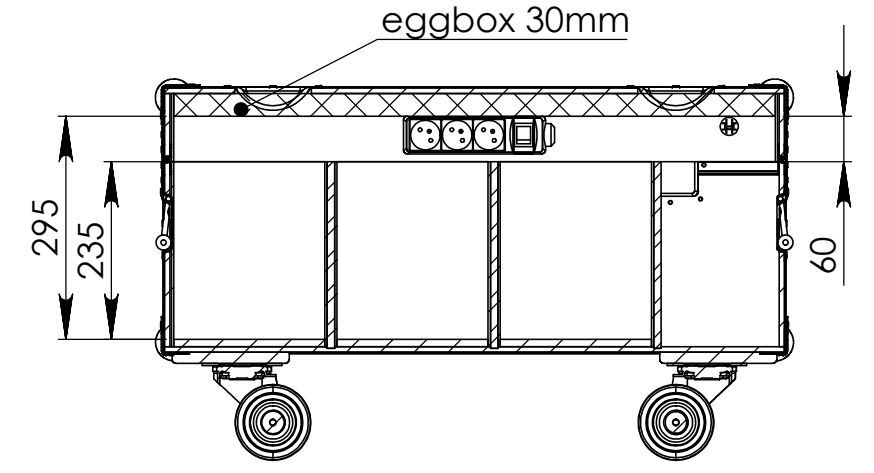
REVISIONS				
ZONE	REV.	DESCRIPTION	DATE	APPROVED
-	-	Final Drawing	21/10/2014	Daniel Lopes



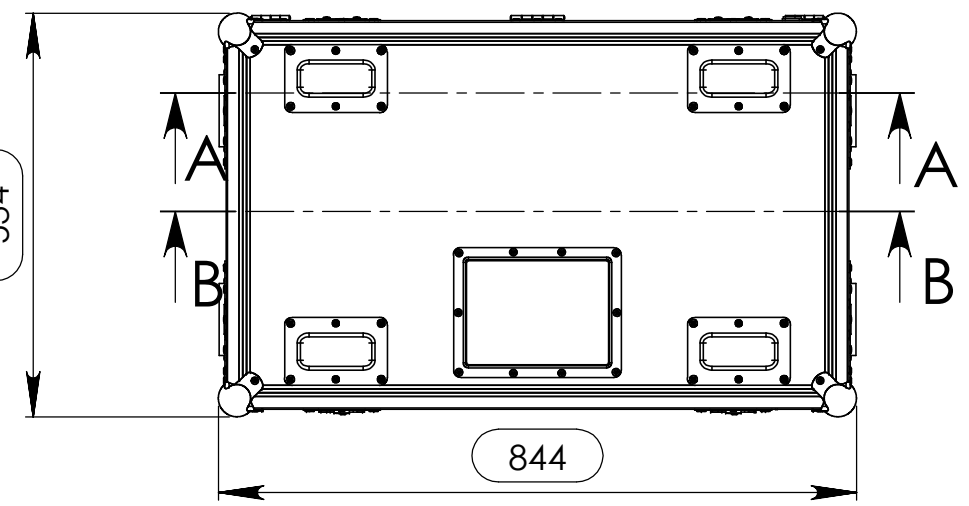
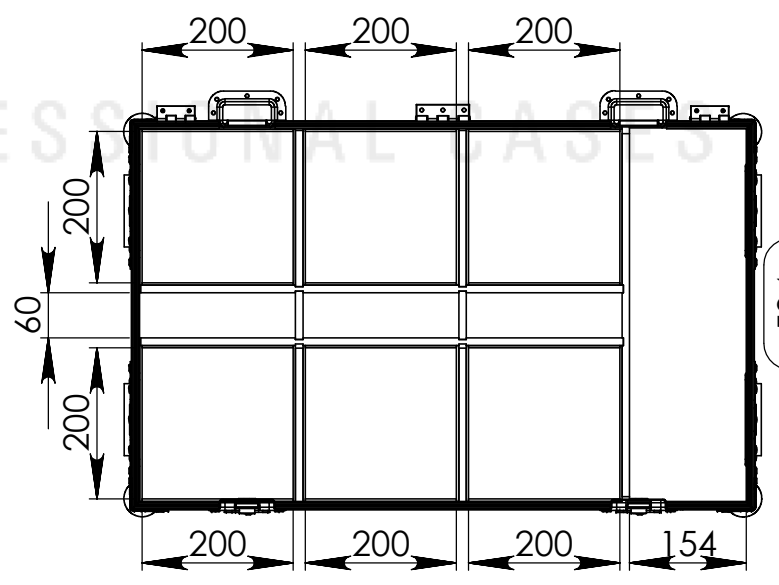
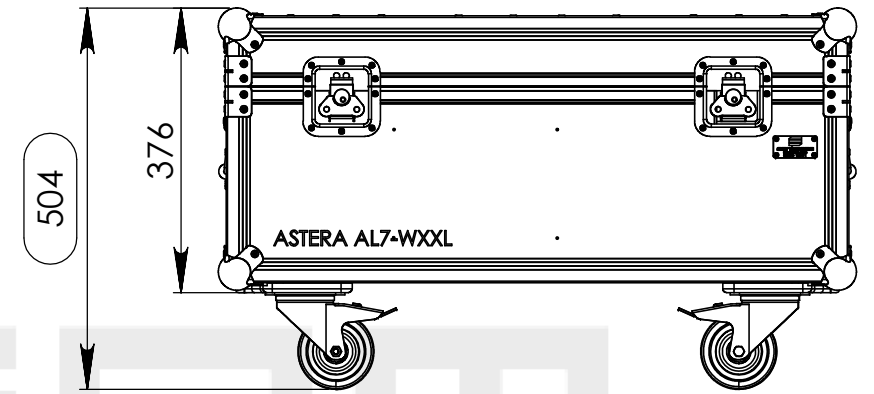
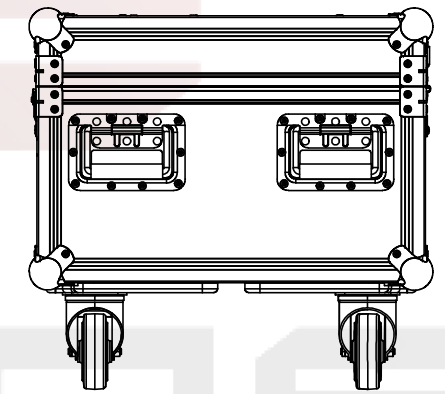
DETAIL F
SCALE 1 : 5



SECTION B-B



SECTION A-A



Hardware		
Qty	Ref.	Description
8	40403	Large corner bracket f. 35mm case angle
1	88001D	Dish for 88001 Tour Label
1	2602	Medium duty butt hinge z./p.
4	34082	Recessed sprung handle medium model
2	RODA.100T	Swivel castor Ø100mm with brake
2	RODA.100	Swivel castor Ø100 mm
8	4120	Medium ball corner zinc plated
2	17290S	Key lockable medium Butterfly special
2	2709	Medium recessed lid stay
2	2601	Hinge small 1,3 mm Steel zinc plated
1	NAC3MPA	NAC3MPA - FICHA POWERCON
1	EC.SHU12	Multi Socket Schuko outlet x3, Black
4	38083	Castor dish deep zinc plated

This drawing must not be copied or disclosed without consent of the owner

Drawn by	Name	Date
DanielLopes	DanielLopes	21-10-2014
Reference	PROJET.512R	
Scale	units in mm	general tolerance
1:10	DO NOT SCALE	0.5mm
1st Angle projection	FC. 6X ASTERA AL7-WXXL + TRANSF., RODAS	

