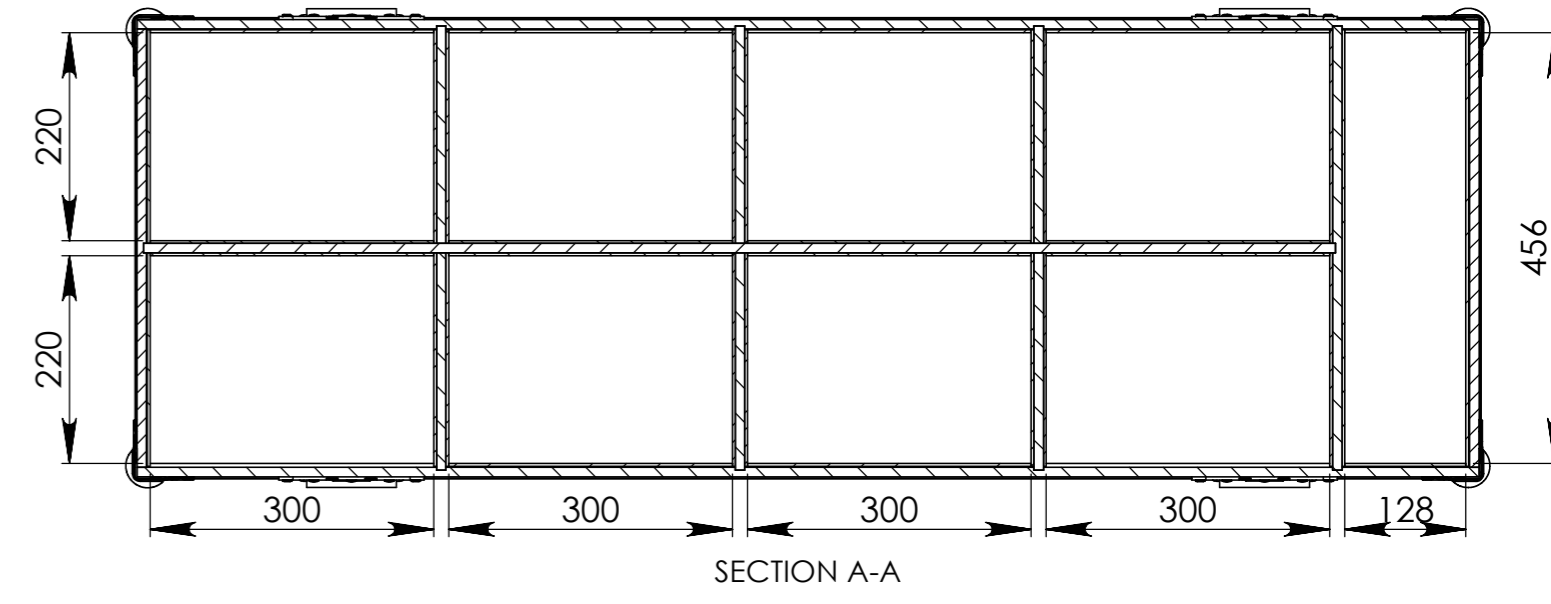
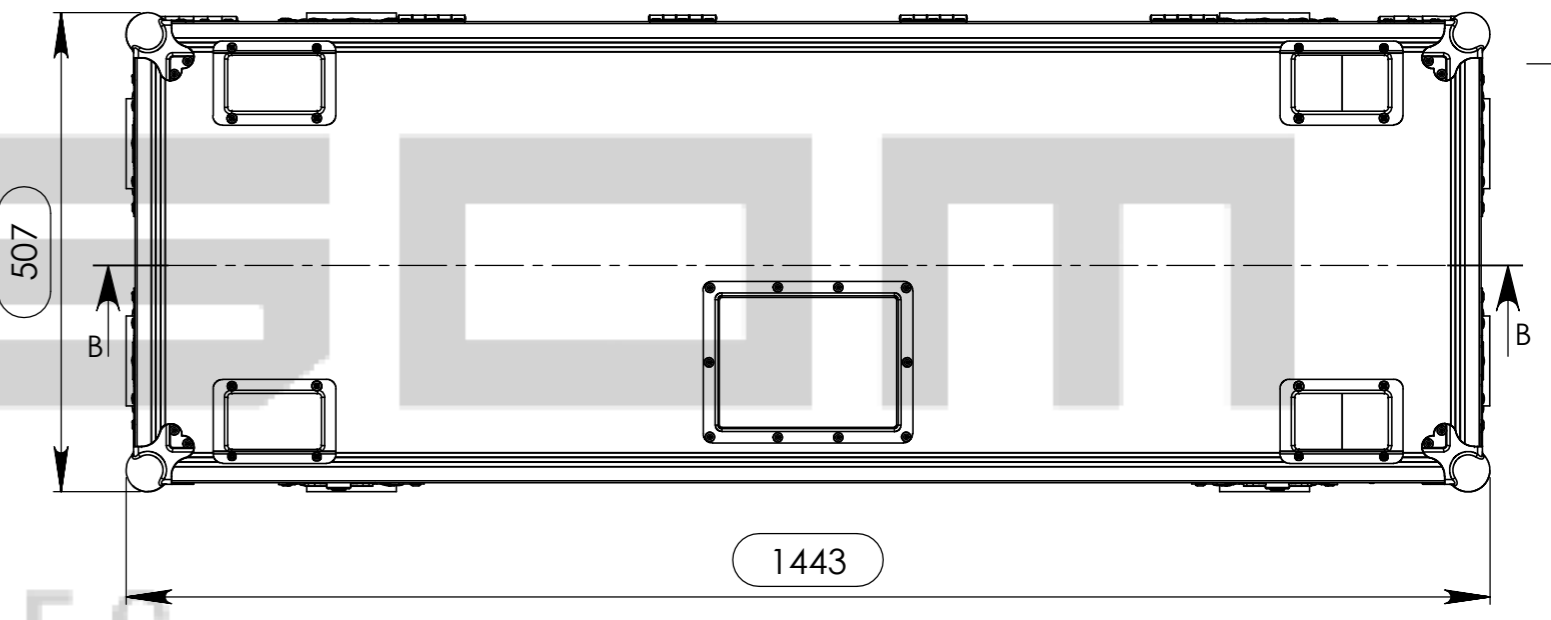
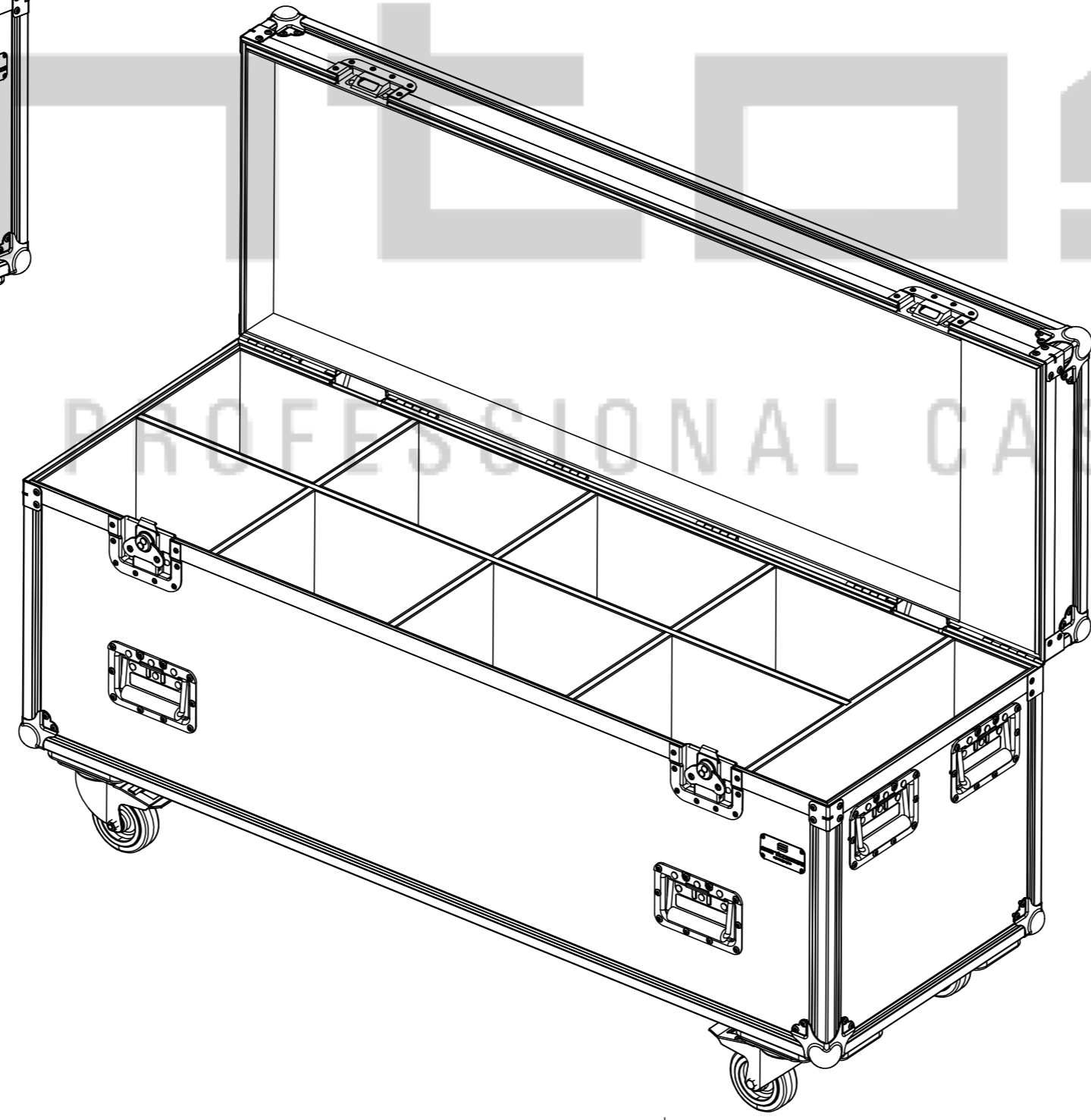
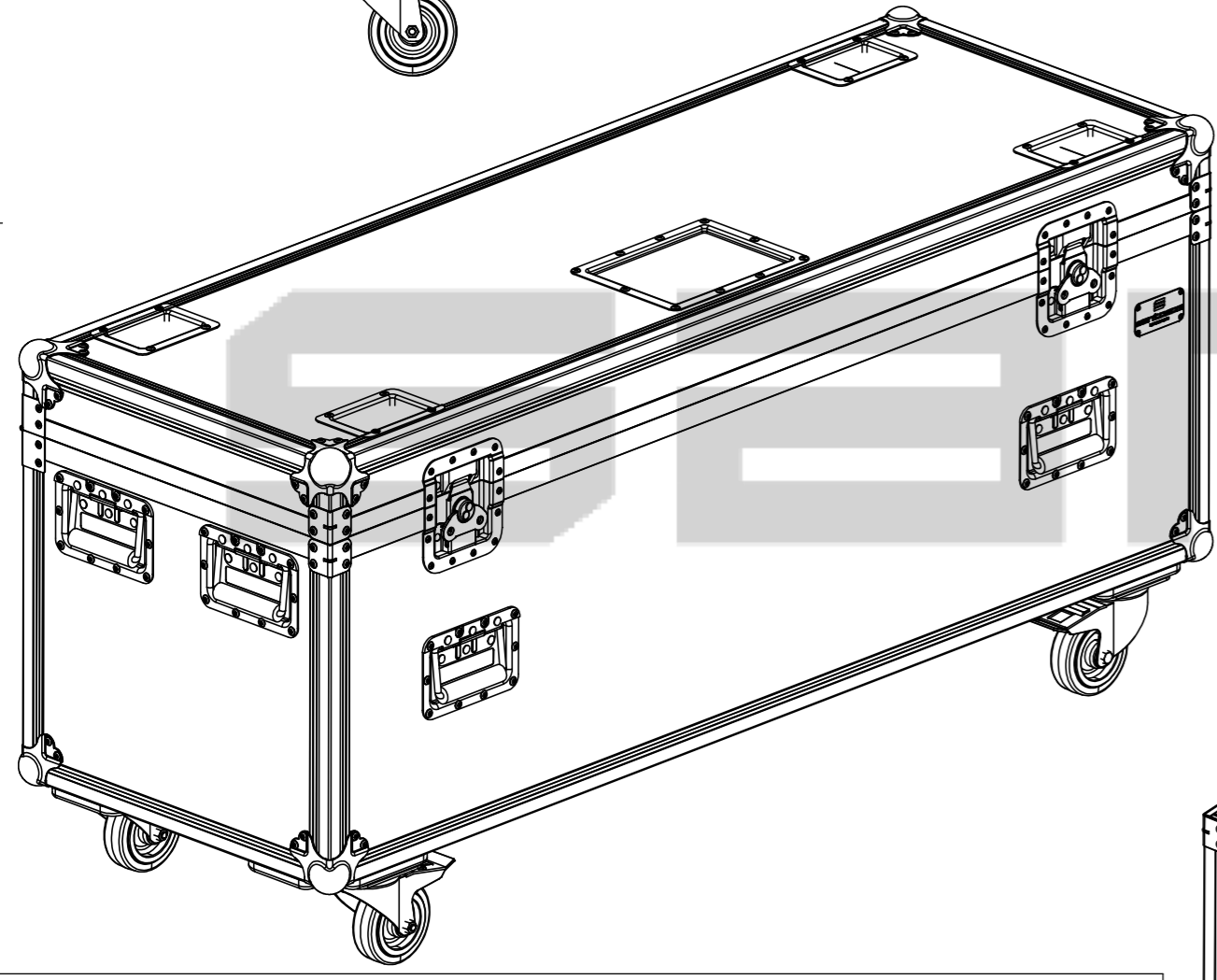
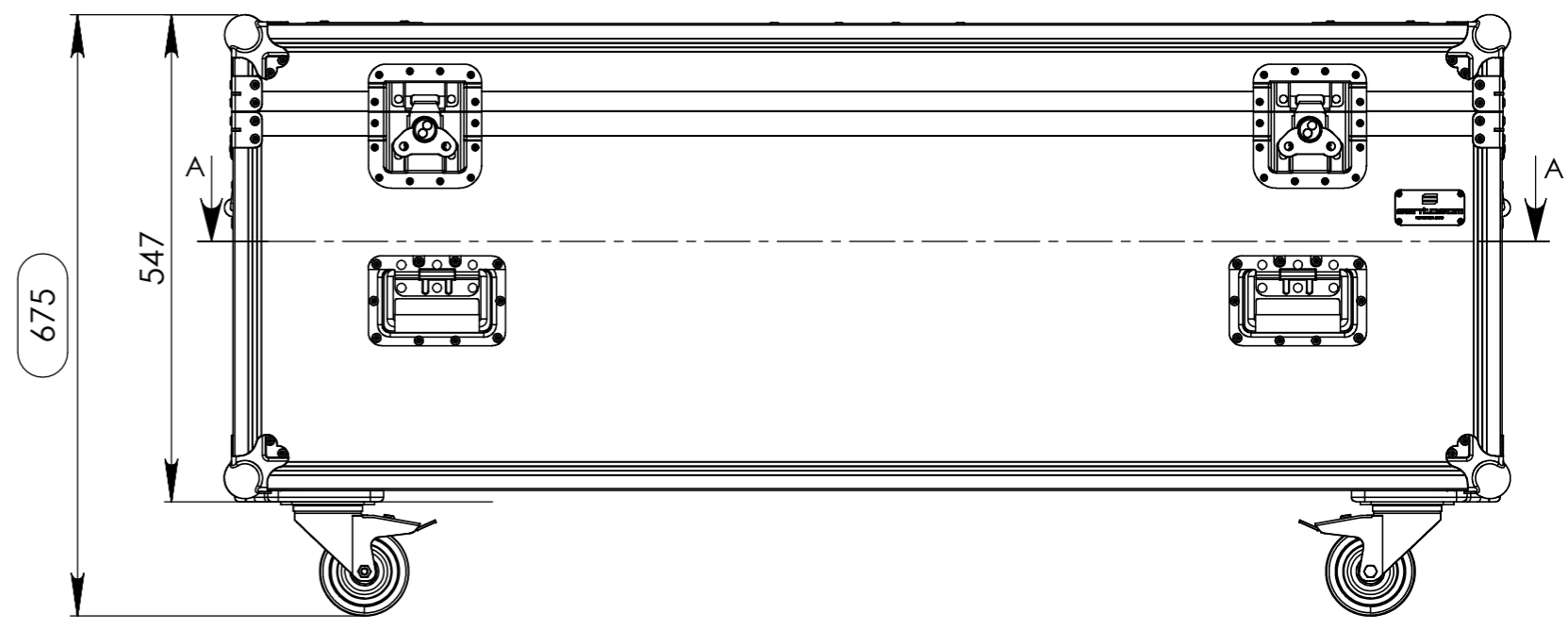
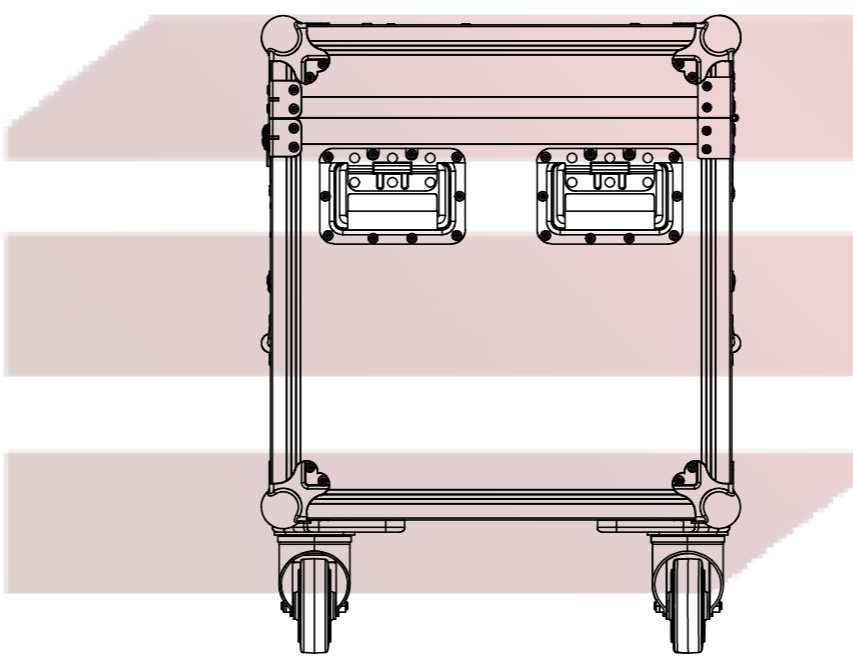
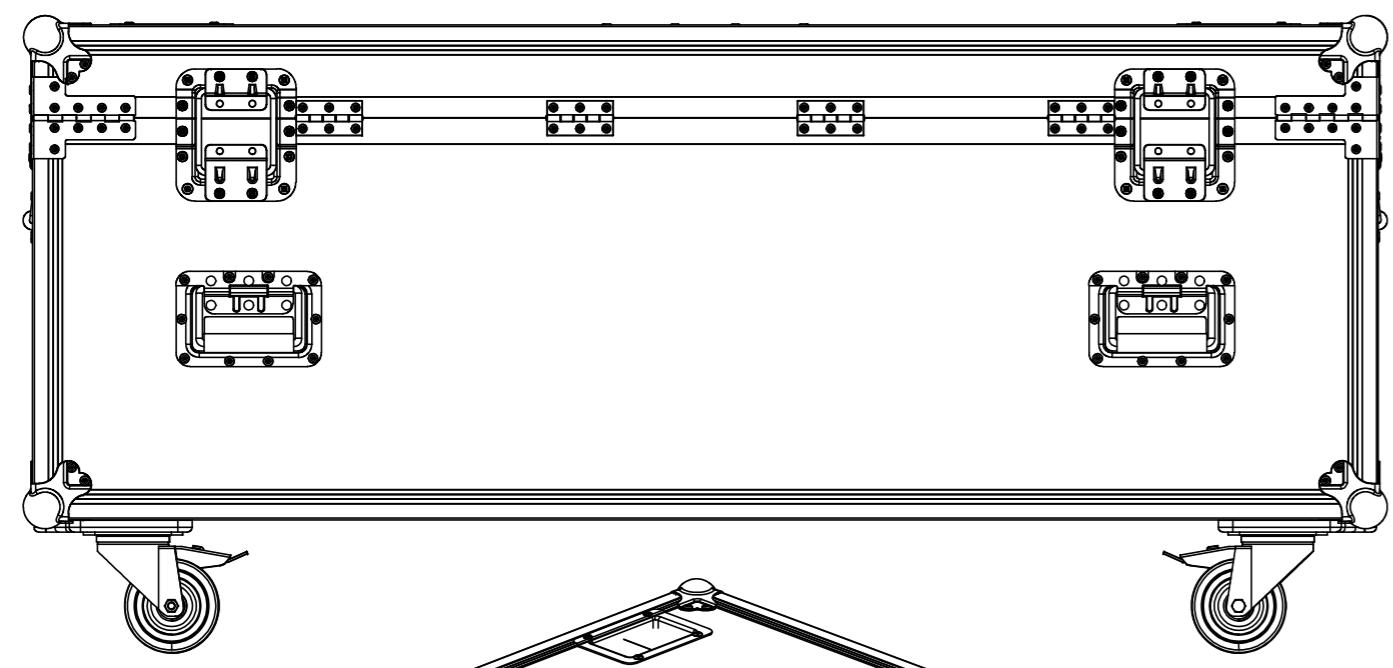
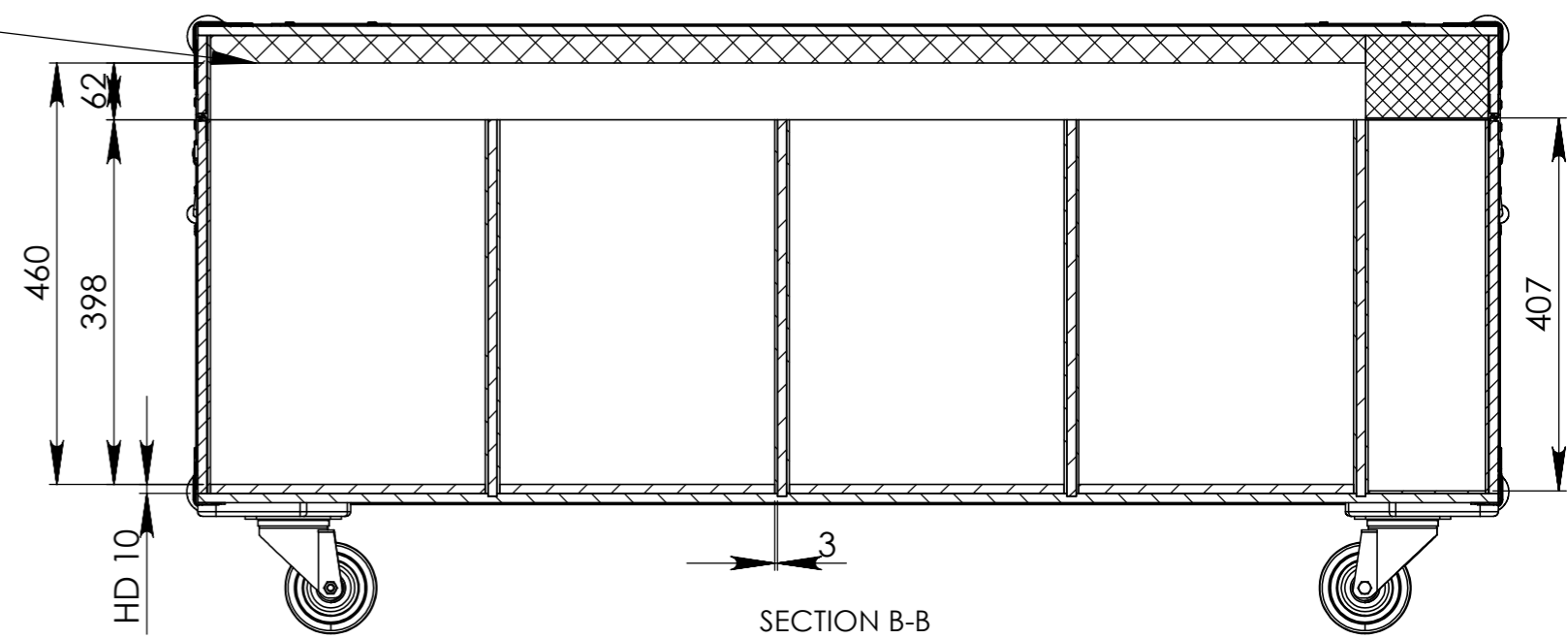


Interior dimensions		
Width	Depth	Height
300	220	460
Weight	Approx. 48 Kg	
Wall Thickness	10mm	

eggbox 30mm



Qty	Hardware	Description
8	Heavy Duty Ball Corner	
4	Large corner bracket f. 35mm case angle	
8	Recessed sprung handle medium model	
1	Dish for 88001 Tour Label	
2	Swivel castor Ø100 mm with brake	
2	Swivel castor Ø100 mm	
2	110MM hinge shot	
2	Large butterfly V3 with 'push-back' function in 14mm dish	
4	Castor dish deep zinc plated	
4	Medium duty butt hinge z./p.	
2	Short recessed lidstay cranked	

Drawn by	DanielLopes	Date	08-10-2012
Reference	PROJET.230		
Scale	1:8	general tolerance	0.08mm
<p>This drawing must not be copied or disclosed without consent of the owner</p>			

1st Angle projection

FC - 8 Project1_CAMEO Led PAR 64_r0d05

PROF. 551123 11111