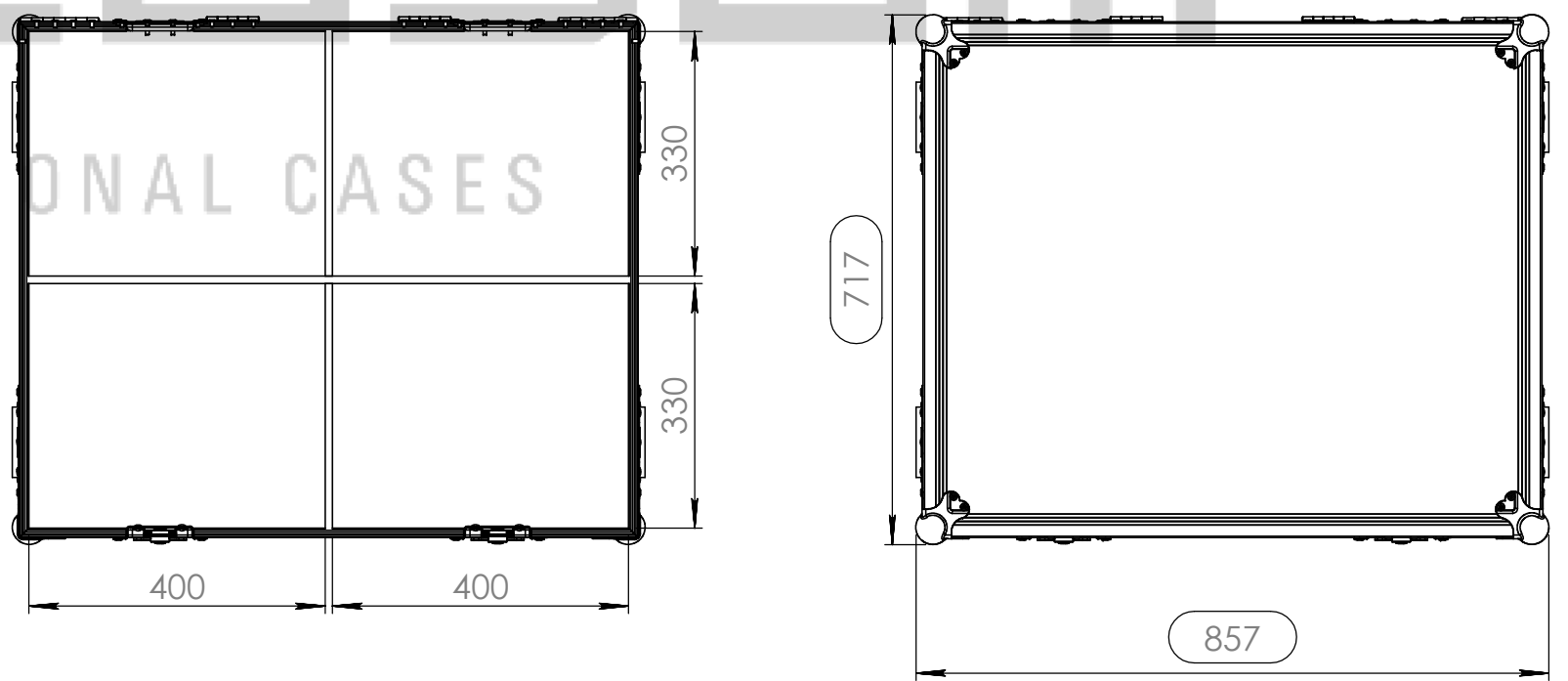
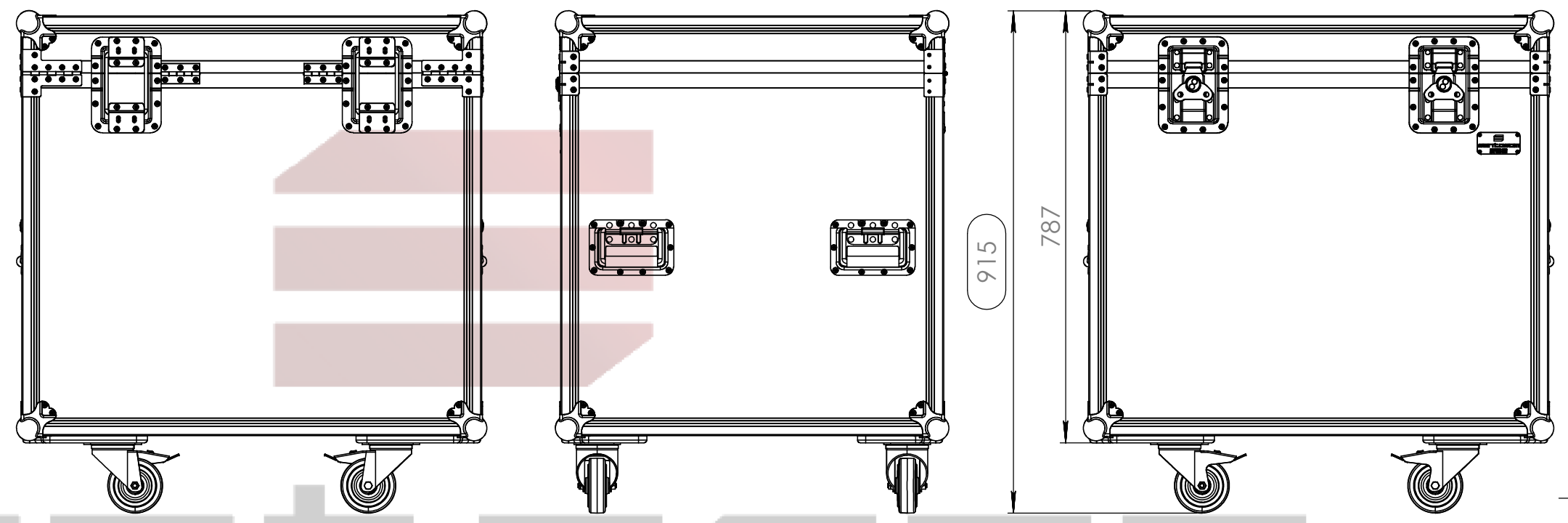
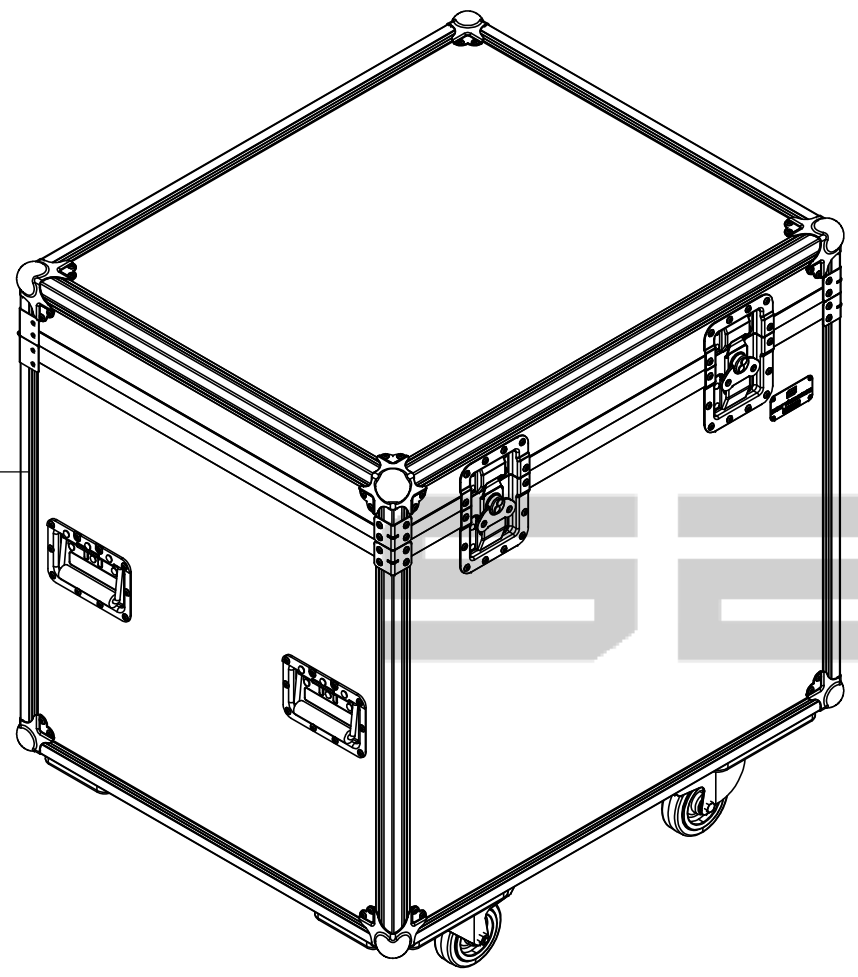


Interior dimensions		
Width	Depth	Height
400	330	730
Weight	Approx. 44 Kg	
Wall Thickness	10mm	

REVISIONS				
ZONE	REV.	DESCRIPTION	DATE	APPROVED
-	0	Final Drawing	05/11/2010	Pedro Neves
-	-	Updated Drawing	06/05/2013	Daniel Lopes



Hardware	
Qty	Description
4	Large corner bracket f. 35mm case angle
8	Heavy Duty Ball Corner
4	Recessed sprung handle medium model
2	Large AH butterfly with 'push-back' function in 14mm dish
2	Large lidstay cranked / hinge
2	Swivel castor Ø100 mm with brake
2	Swivel castor Ø100 mm
2	110MM hinge shot
2	Medium duty butt hinge z./p.

SANTOSOM  
PROFESSIONAL CASES

This drawing must not be copied or disclosed without consent of the owner

Name	Date
Drawn by: DanielLopes	06-05-2013
Reference	PROJET.187R1
Scale	1:10
units in mm	general tolerance 0.8mm
DO NOT SCALE	FC, 4 ADB, 830x670x730mm., ECO

