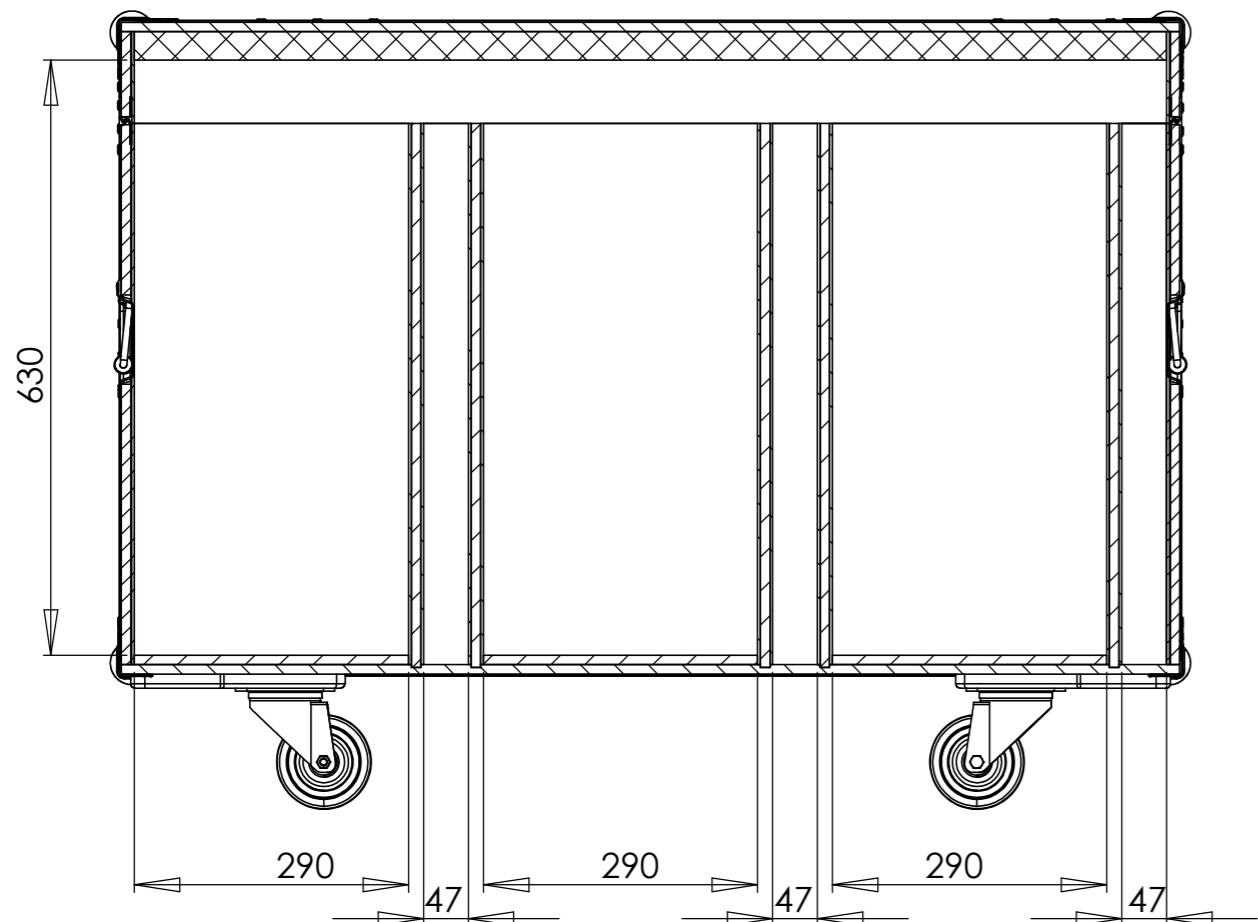
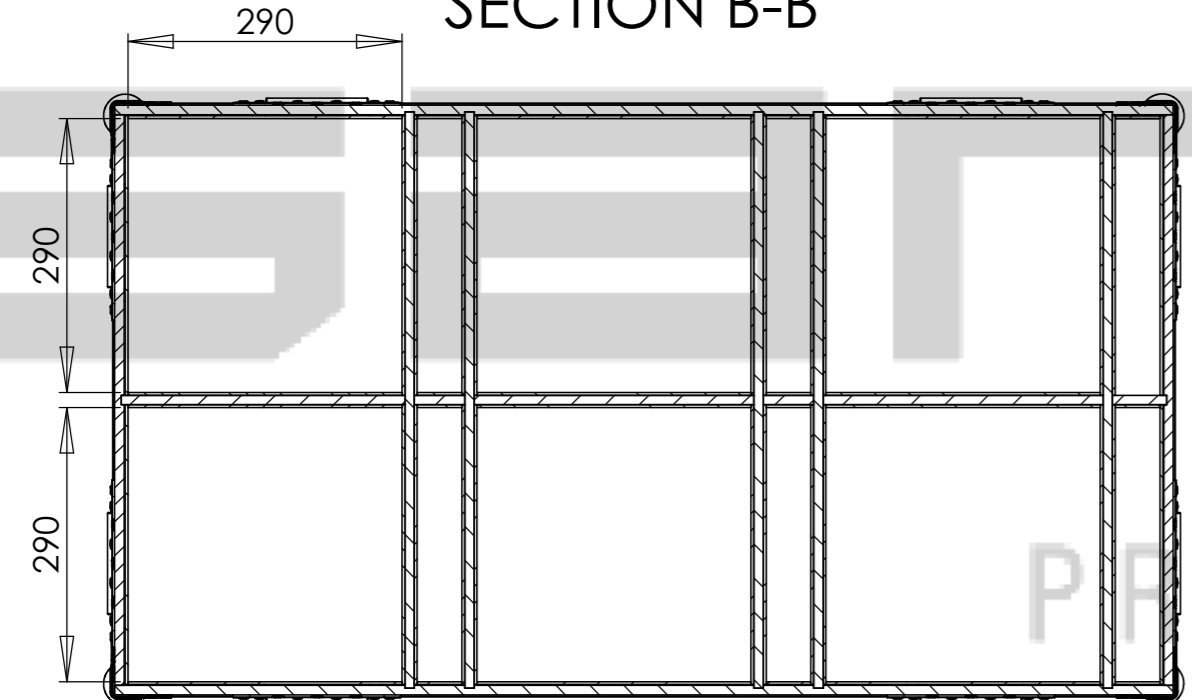


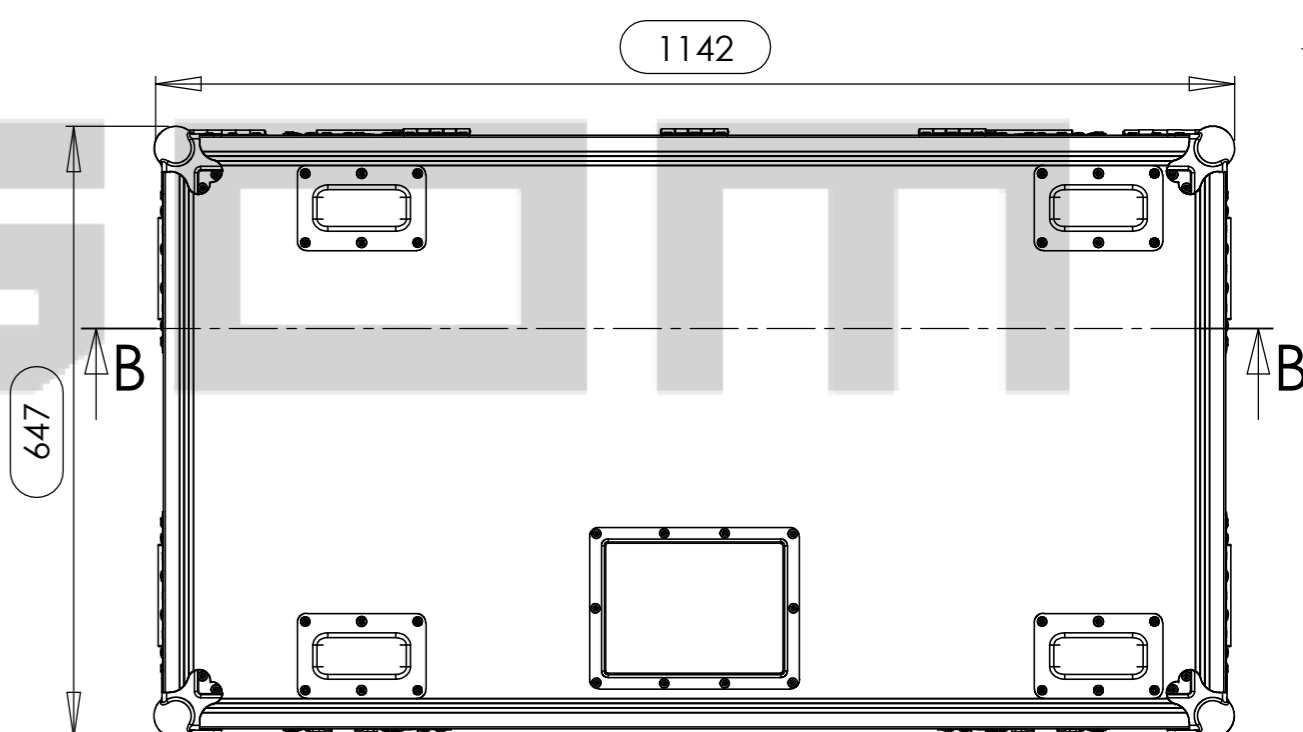
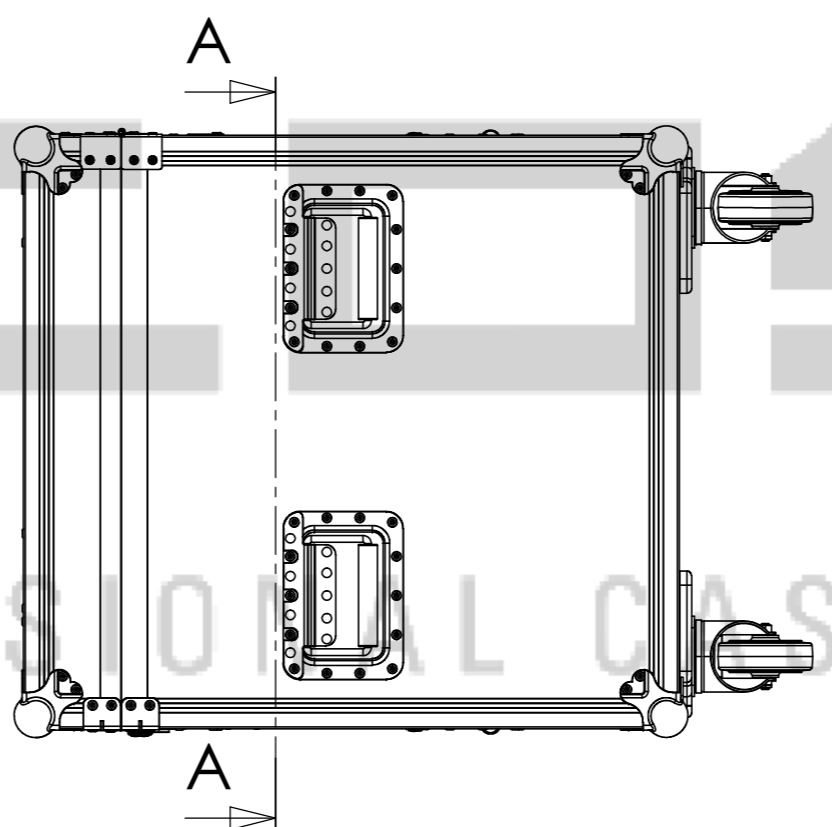
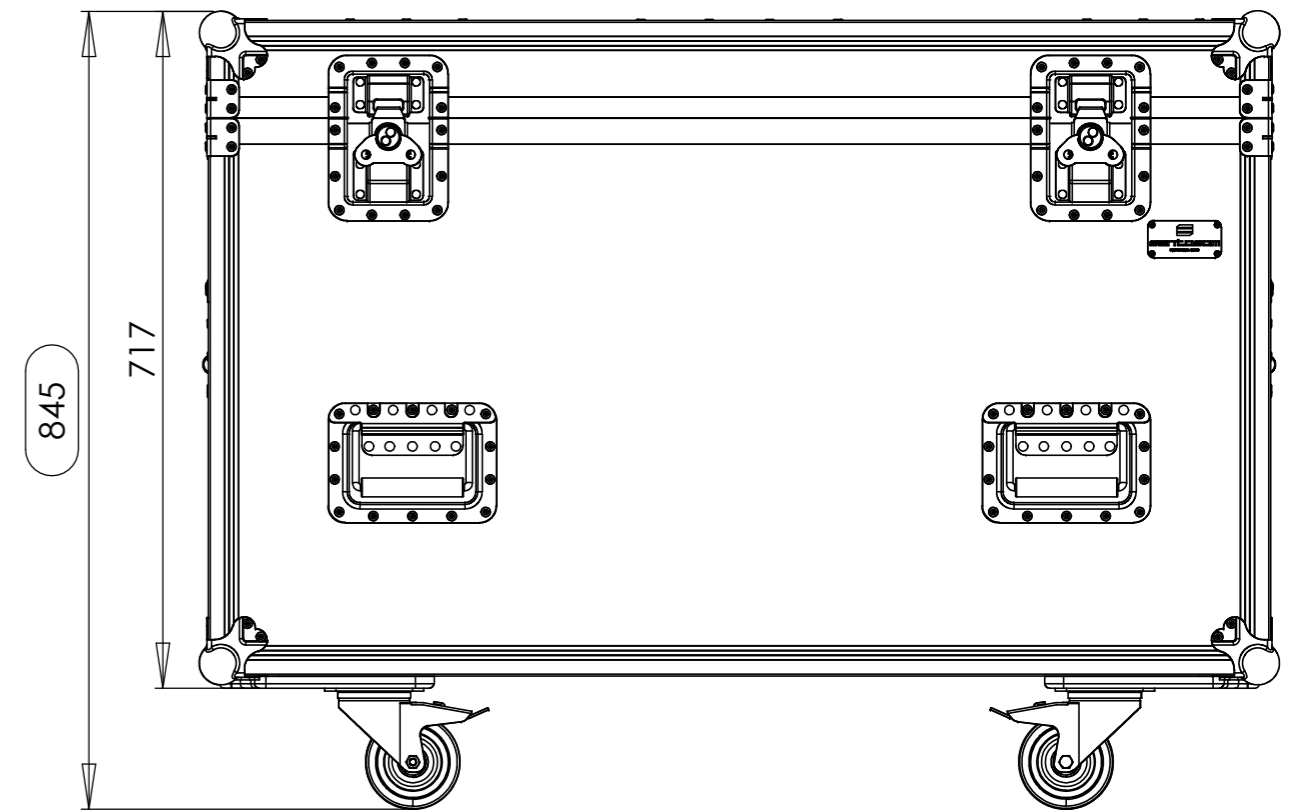
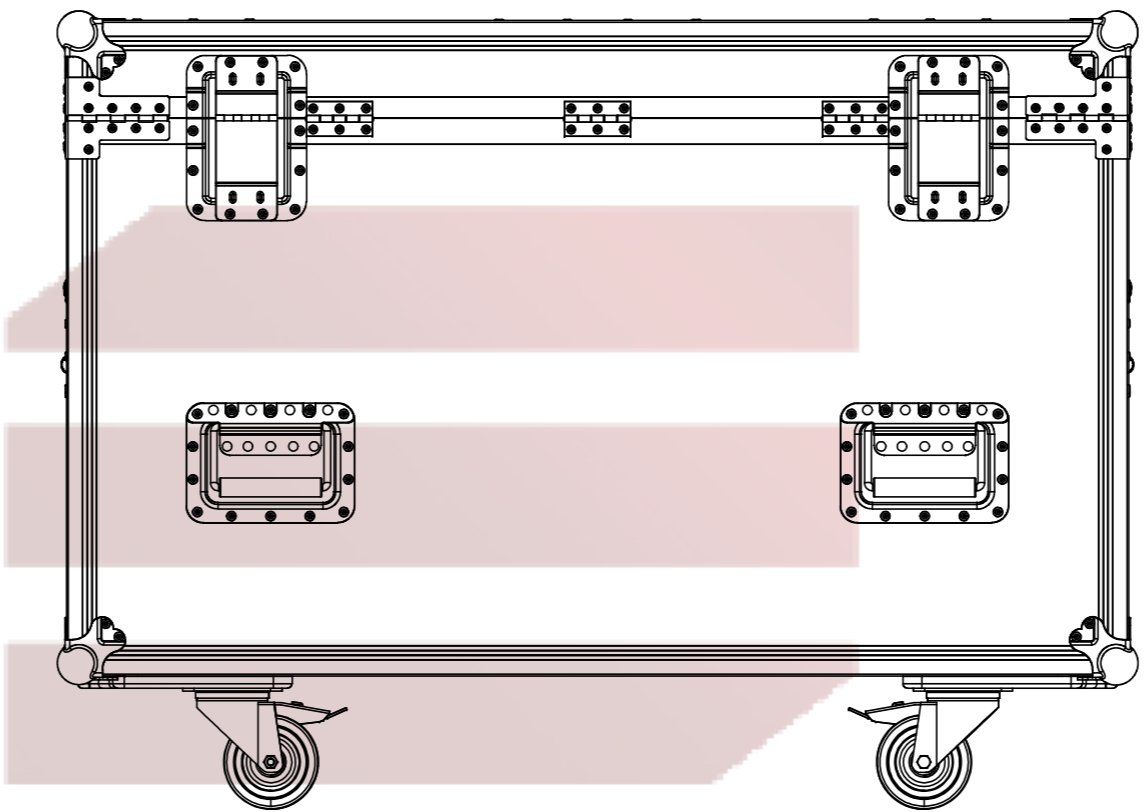
Interior dimensions		
Width	Depth	Height
290	290	630
Weight	Approx. 62 Kg	
Wall Thickness	10mm	



SECTION B-B



SECTION A-A



Hardware	
Qty	Description
8	Heavy Duty Ball Corner
4	Large corner bracket f. 35mm case angle
2	110MM hinge shot
8	Large, heavy duty, recessed sprung handle
2	Large AH butterfly with 'push-back' function in 14mm dish
2	Large lidstay cranked / hinge
3	Medium duty butt hinge z./p.
1	Dish for 88001 Tour Label
4	Castor dish deep zinc plated
2	Swivel castor Ø100 mm with brake
2	Swivel castor Ø100 mm

This drawing must not be copied or disclosed without consent of the owner 1st Angle projection	Reference Scale 1:8 DO NOT SCALE	Name Daniel Lopes Date 13-08-2012	
	Scale 1:8 DO NOT SCALE	Name Daniel Lopes Date 13-08-2012	