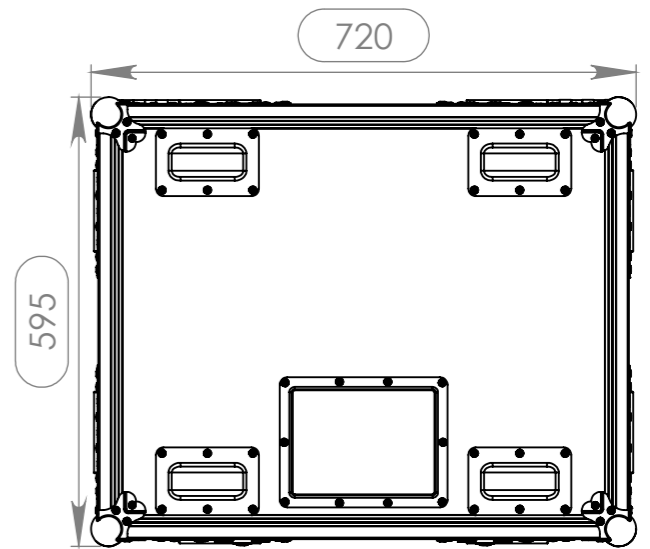
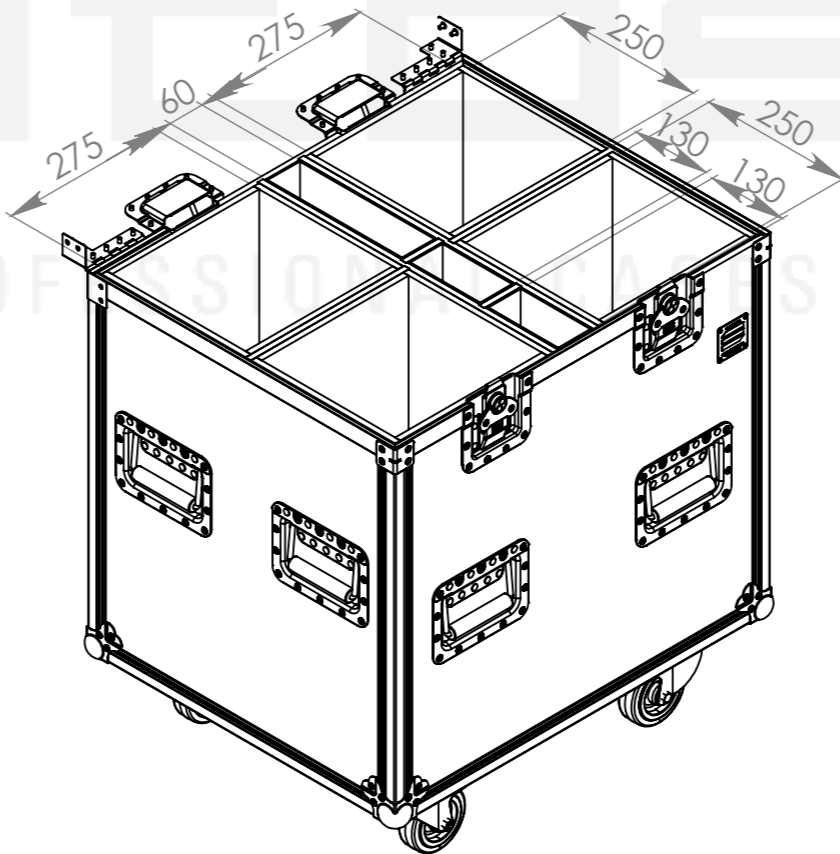
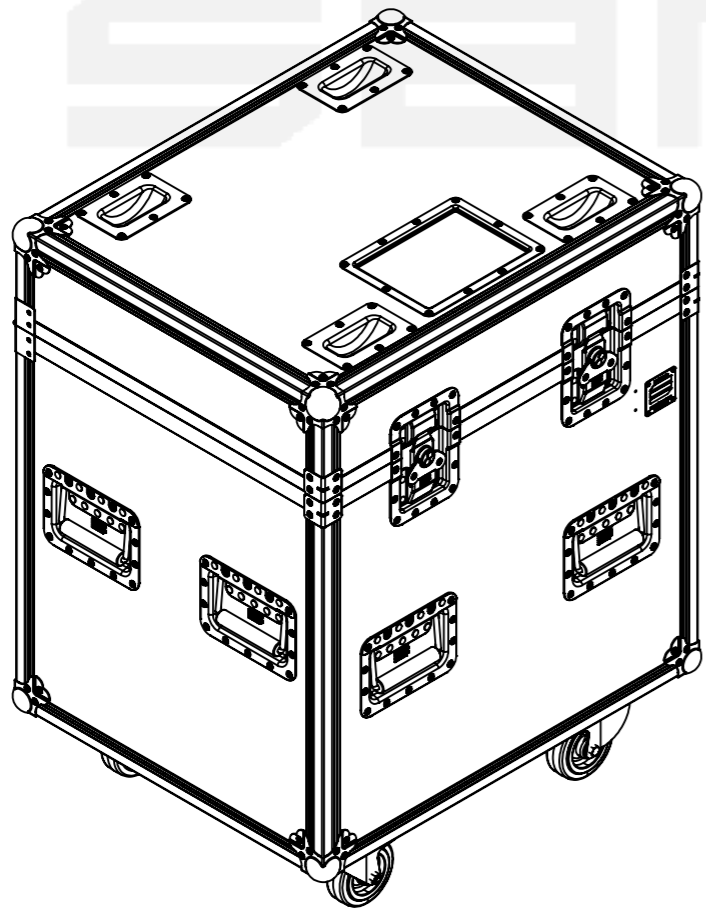
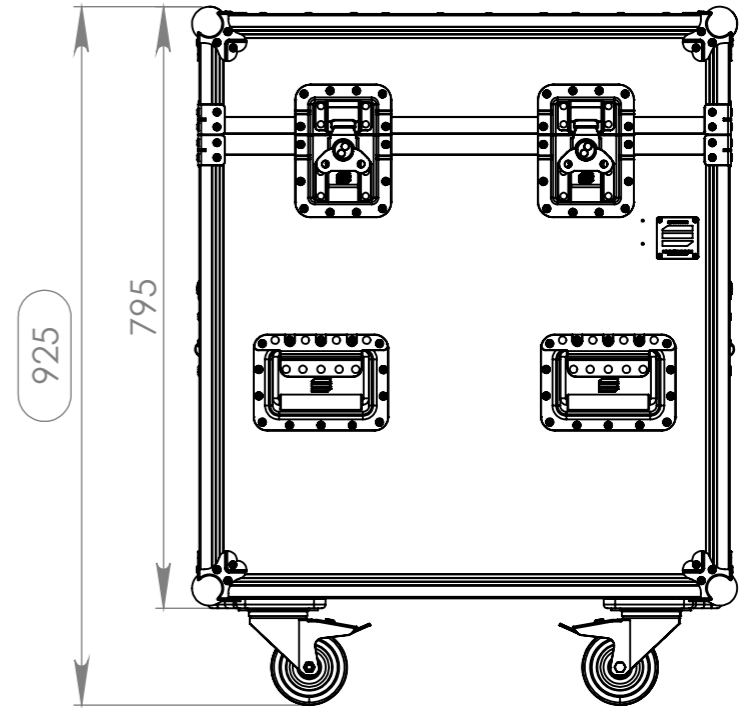
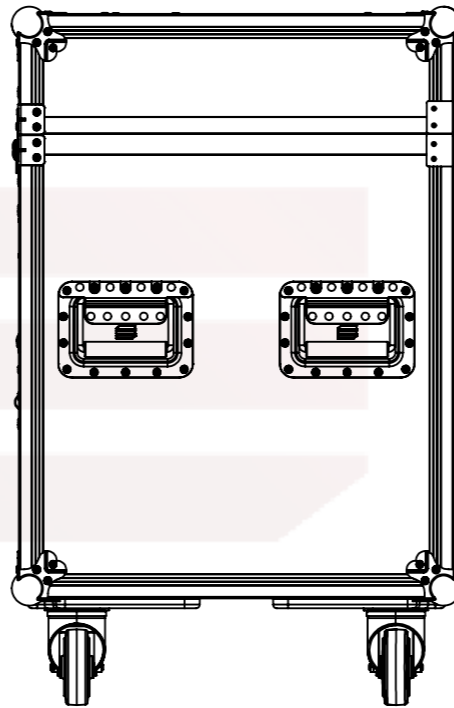
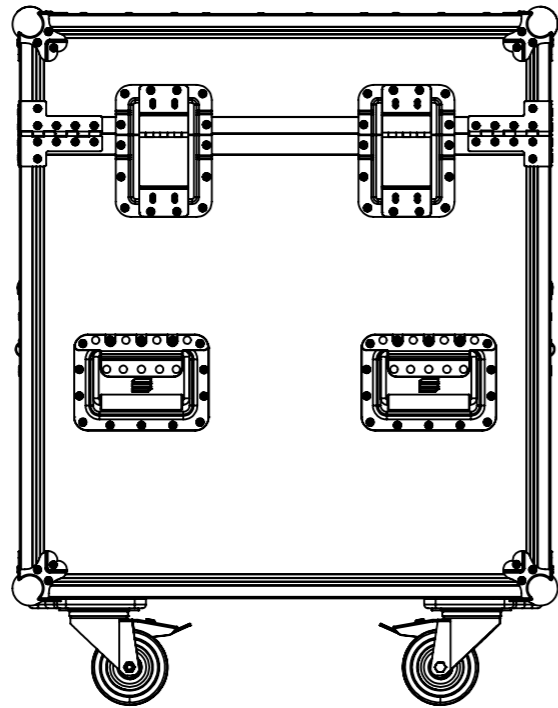


### Interior dimensions

Width	Depth	Height
275	250	729
Weight	Approx. 28 Kg	
Wall Thickness	10mm	



Drawn by	Name	Date
DanielLopes	DanielLopes	09-12-2016
Reference	PROJET.125	
Scale	units in mm	general tolerance
1:10	DO NOT SCALE	0.8mm
1st Angle projection	FC, 4 ETC S4 19°, 26°, 36° & 50°	

This drawing must not be copied or disclosed without consent of the owner

