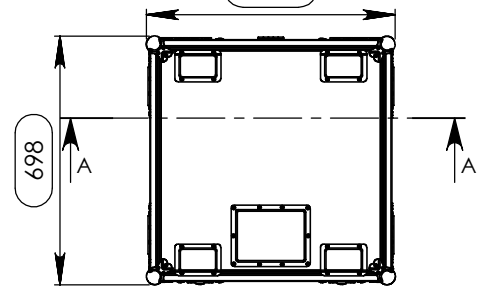
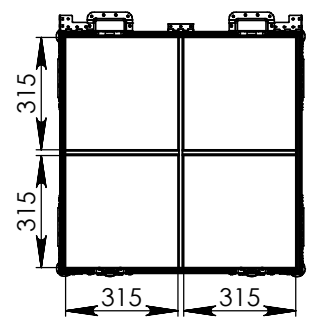
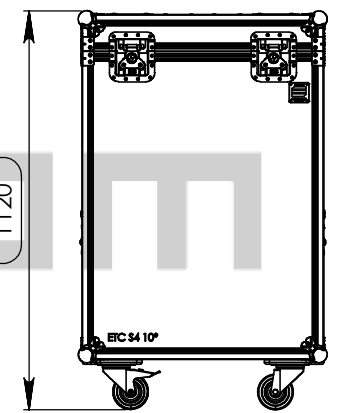
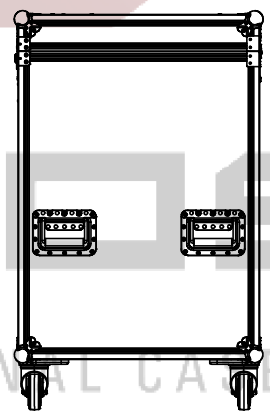
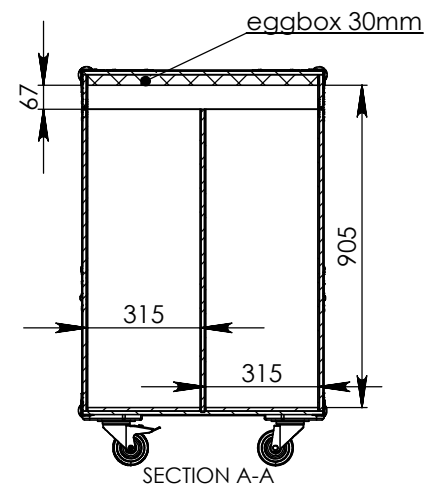
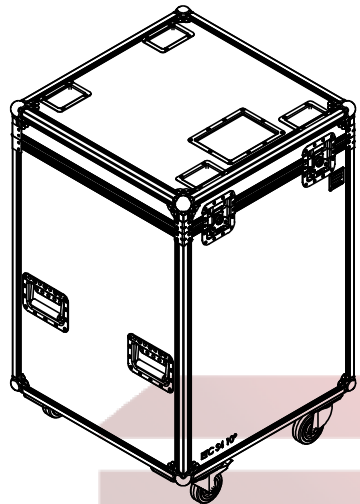
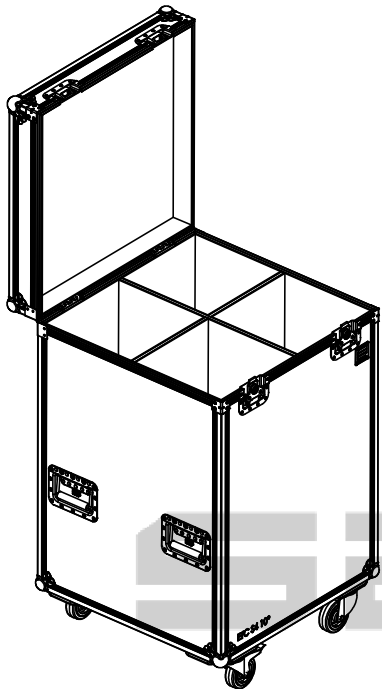


Interior dimensions

Width	Depth	Height
315	315	905
Weight	Approx. 47 Kg	
Wall Thickness	10mm	

REVISIONS				
ZONE	REV.	DESCRIPTION	DATE	APPROVED
-	-	Final Drawing	11/04/2015	Carlos Rodrigues



Hardware

Qty	Ref.	Description
8	4101	Heavy Duty Ball Corner
4	40403	Large corner bracket f. 35mm case angle
2	DCR110	110MM hinge shot
1	88001D	Dish for 88001 Tour Label
4	34085	Large, heavy duty, recessed sprung handle
1	2602	Medium duty butt hinge z./p.
2	RODA.100T	Swivel castor Ø100mm with brake
2	RODA.100	Swivel castor Ø100 mm
2	172531	Large butterfly V3 with 'push-back' function
2	27073	Short recessed lidstay cranked
4	38082	Castor dish deep zinc plated

This drawing must not be copied or disclosed without consent of the owner

Scale	1:15	general tolerance	0.8mm
FC, 4 ARRI 450 PLUS RODAS			

