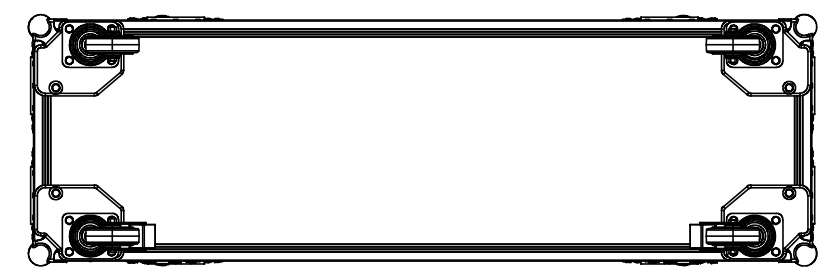
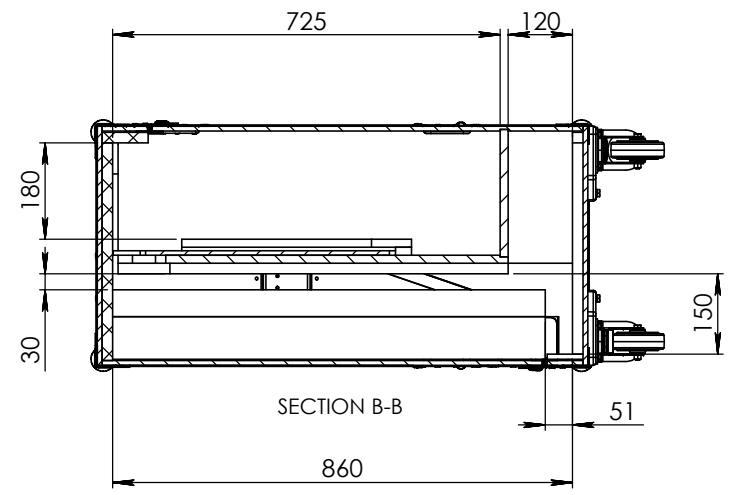
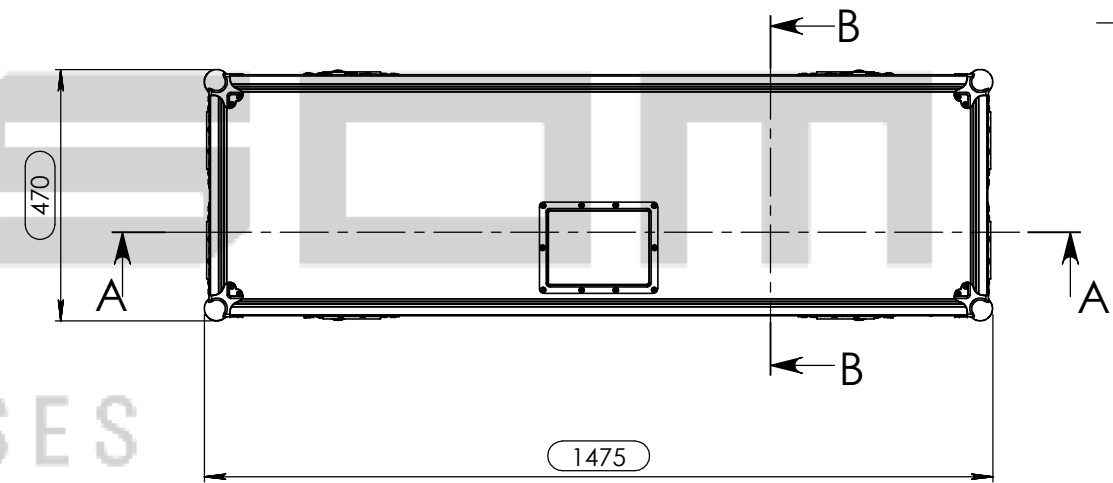
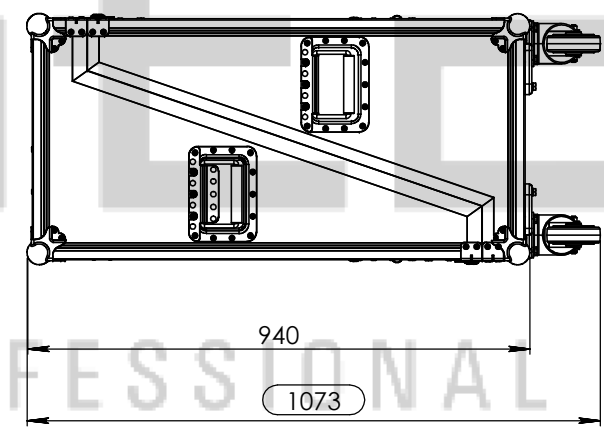
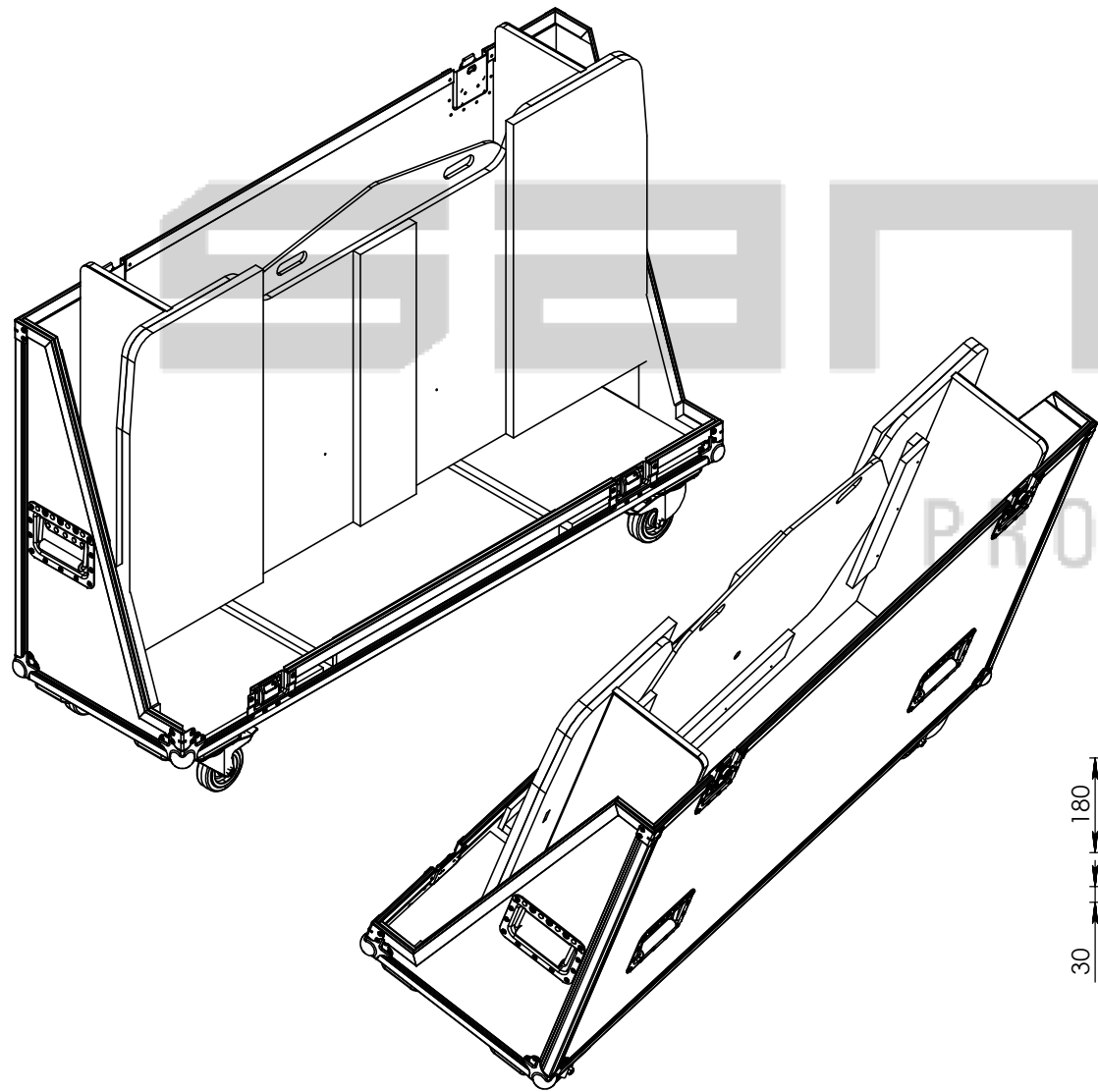
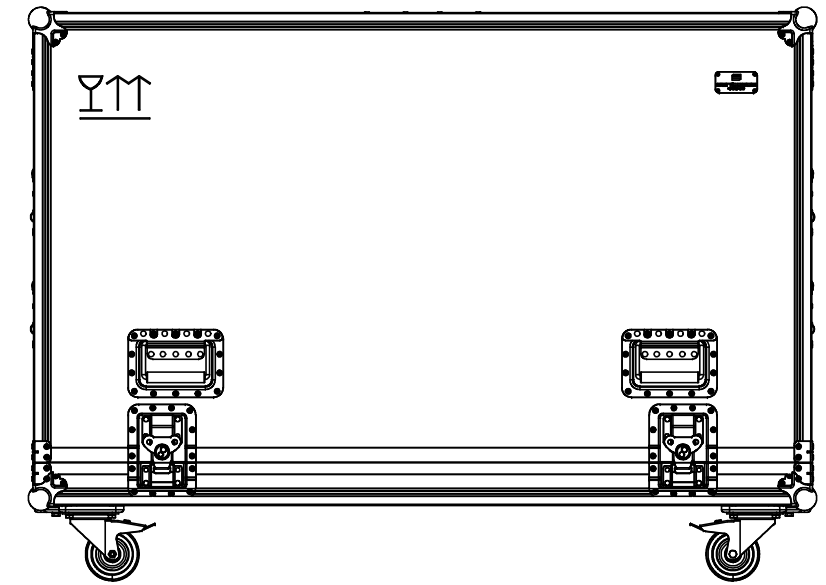
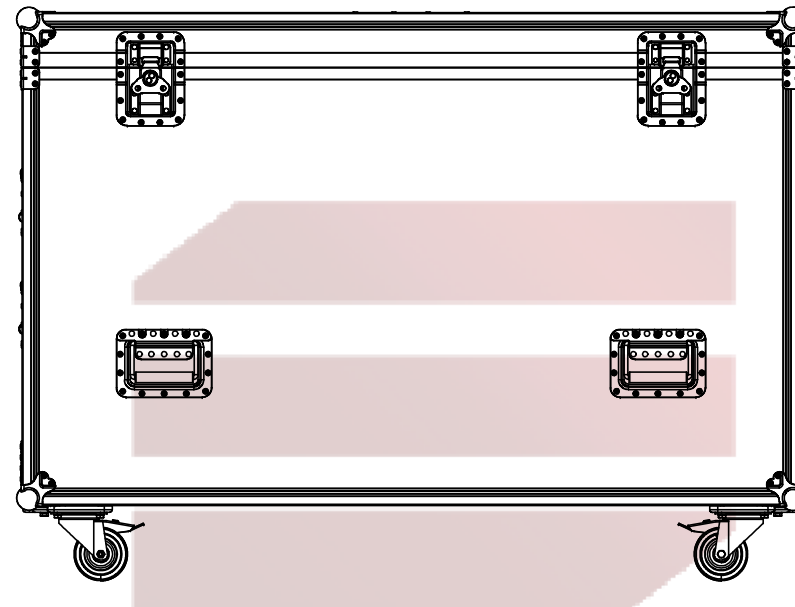
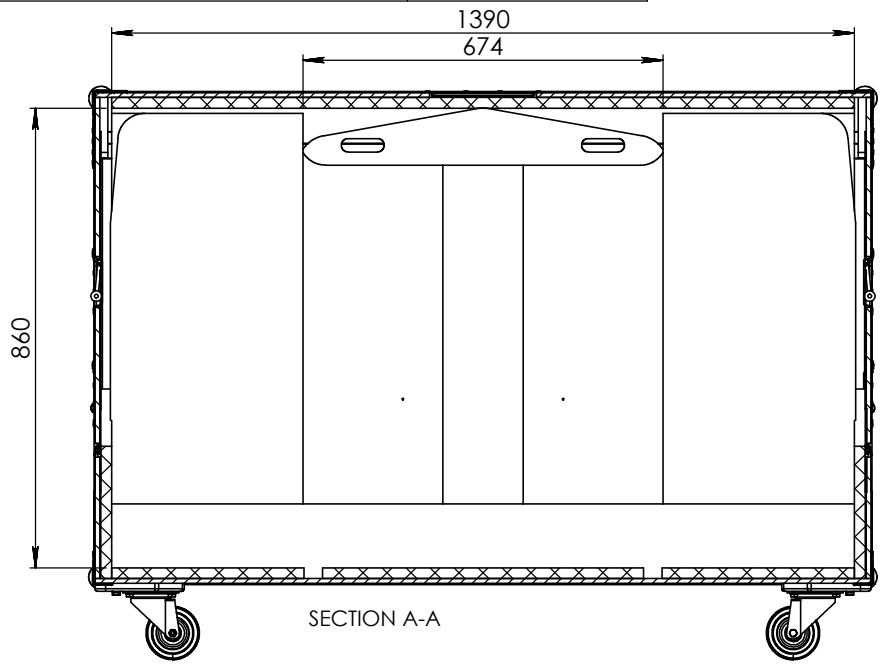



Interior dimensions		
Width	Depth	Height
1390	30	860
Weight	Approx. 71 Kg	
Wall Thickness	9mm	



Drawn by	Name	Date
pedroneves	pedroneves	20-02-2012
Reference	PLASU1.060A	
Scale	1:10	
<small>1st Angle projection</small> <small>FC Universal, 55°-60°, suportu, rotari</small>		

This drawing must not be copied or disclosed without consent of the owner



14-111201-WA-22515