

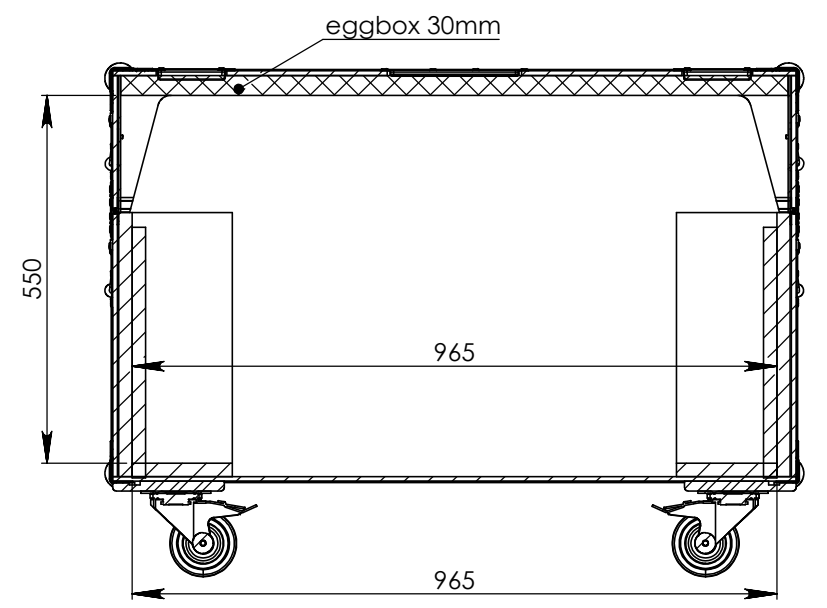
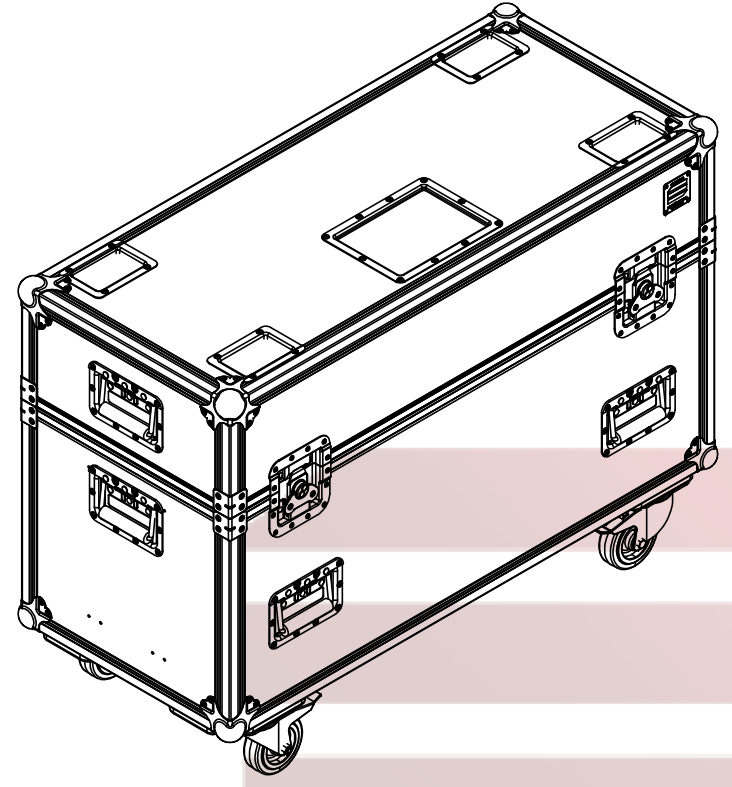
Interior dimensions

Width	Depth	Height
965	80	550
Weight	Approx. 34 Kg	
Wall Thickness	7mm	

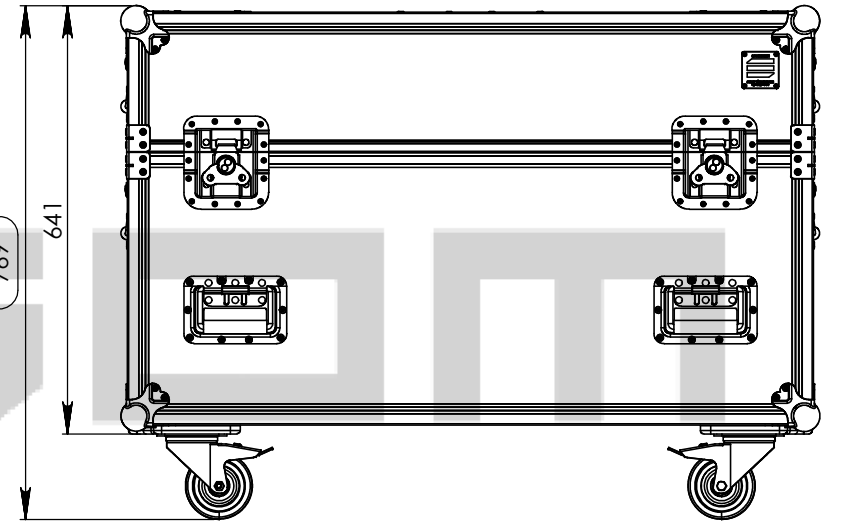
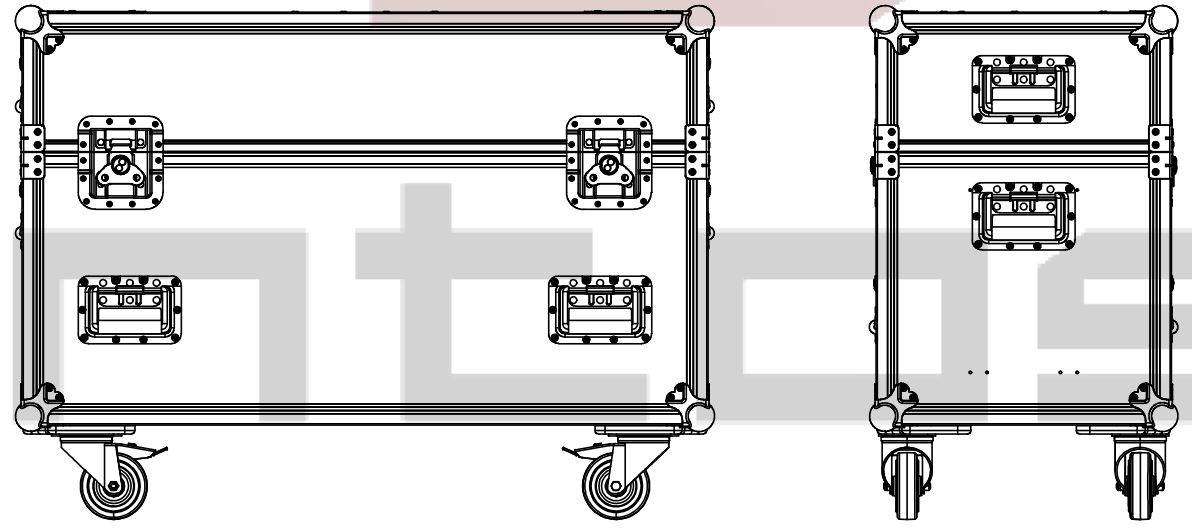
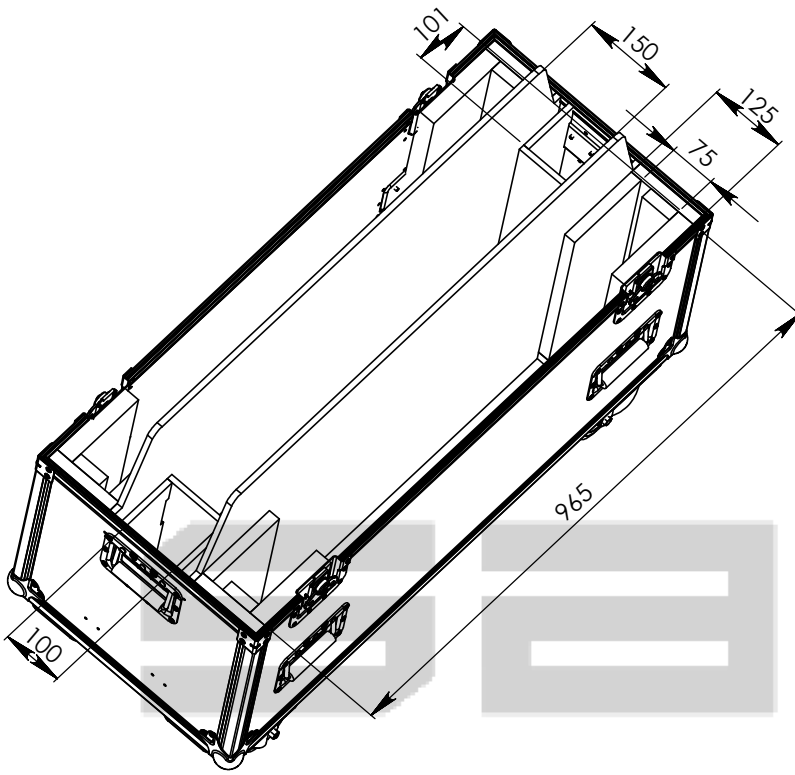
Medidas maximas do Equipamento

Largura(w)	Profundidade(D)	Altura(H)
960	80	560

REVISIONS				
ZONE	REV.	DESCRIPTION	DATE	APPROVED
-	0	Final Drawing	27/03/2015	Carlos Rodrigues

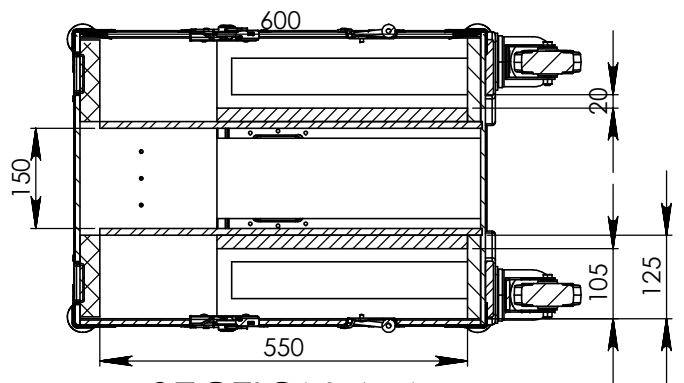


SECTION B-B

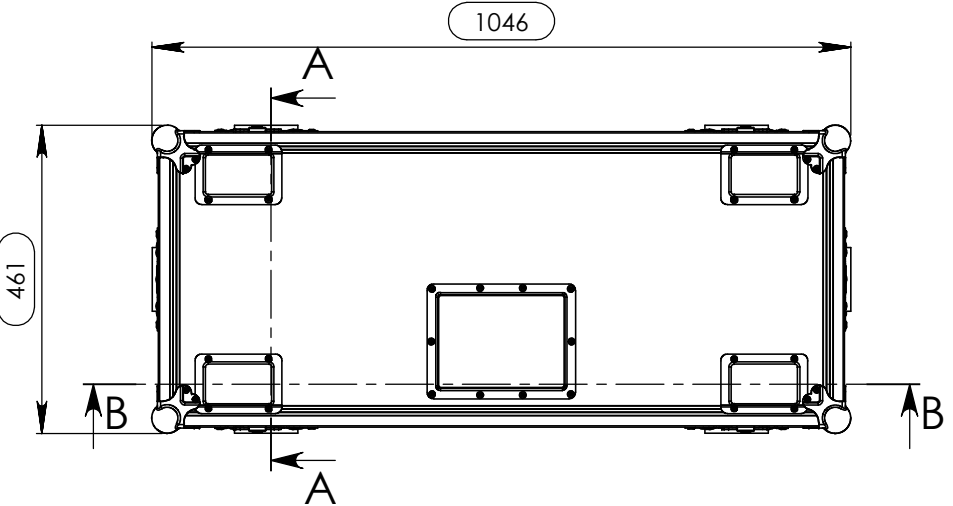


769

PROFESSIONAL CASES



SECTION A-A



Hardware		
Qty	Ref.	Description
8	410429	Heavy Duty Ball Corner
8	40403	Large corner bracket f. 35mm case angle
4	172531	Large butterfly V3 with 'push-back' function
8	34082	Recessed sprung handle medium model
1	88001D	Dish for 88001 Tour Label
2	RODA.100T	Swivel castor Ø100mm with brake
2	RODA.100	Swivel castor Ø100 mm
4	38082	Castor dish deep zinc plated

Drawn by	Name	Date
projects		27/03/2015
Reference	PLASB2M.042B	
Scale	1:8	
<small>general tolerance 0.8mm</small> <small>FC: 2 LCD 42" - TOSHIBA 42L7453D</small> <small>ACESSORIOS, RODAS</small>		



This drawing must not be copied or disclosed without consent of the owner