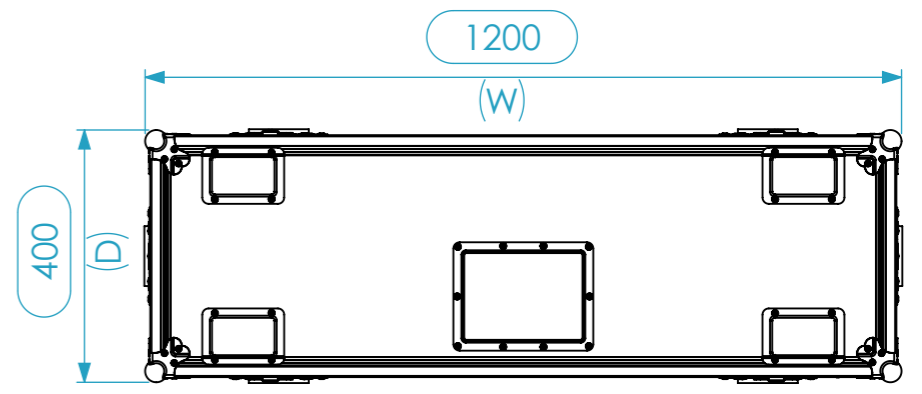
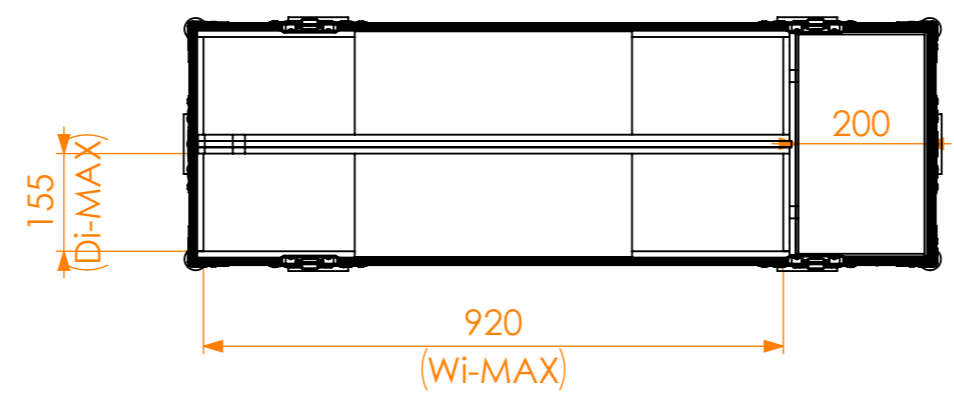
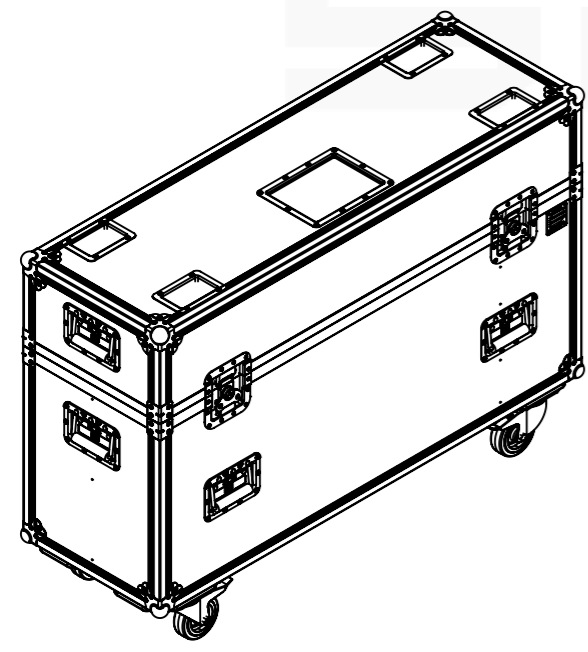
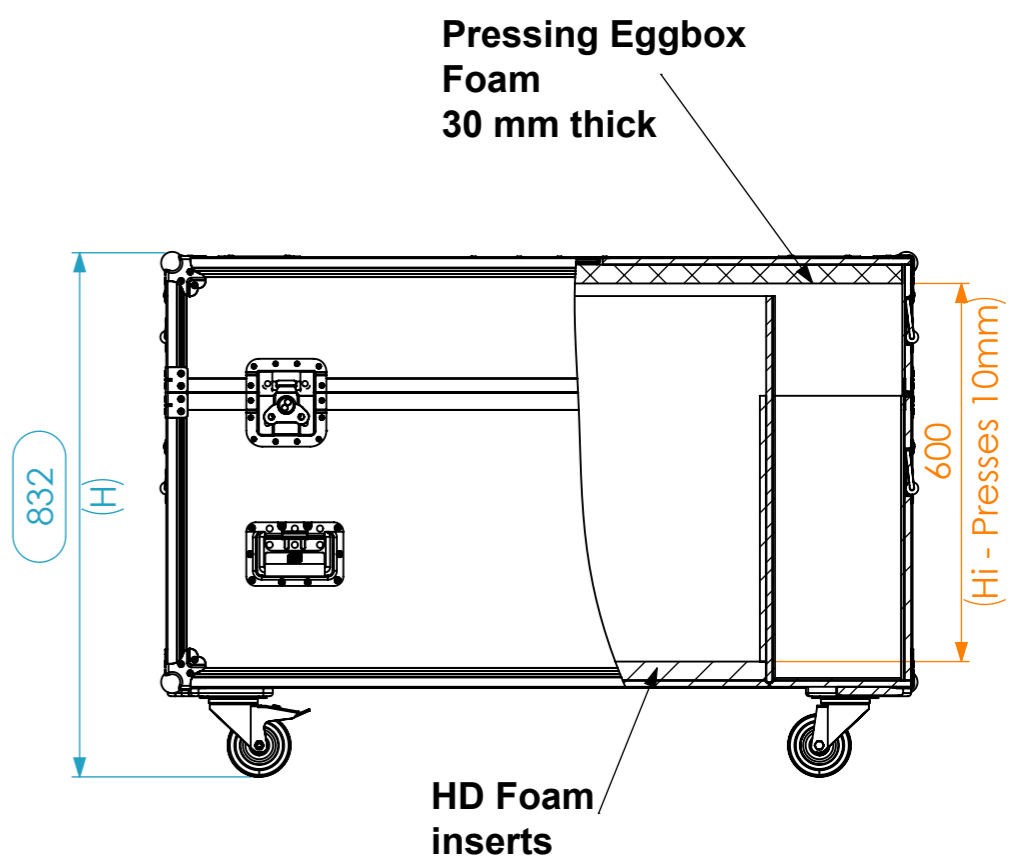
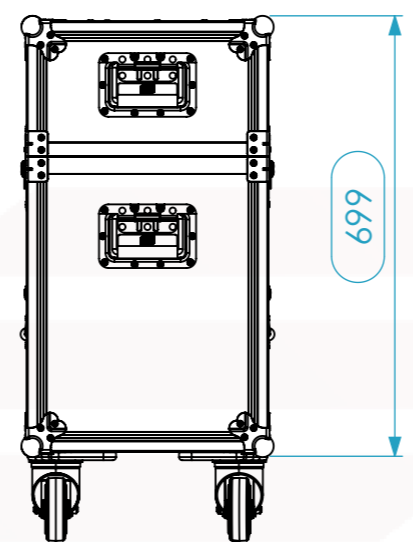
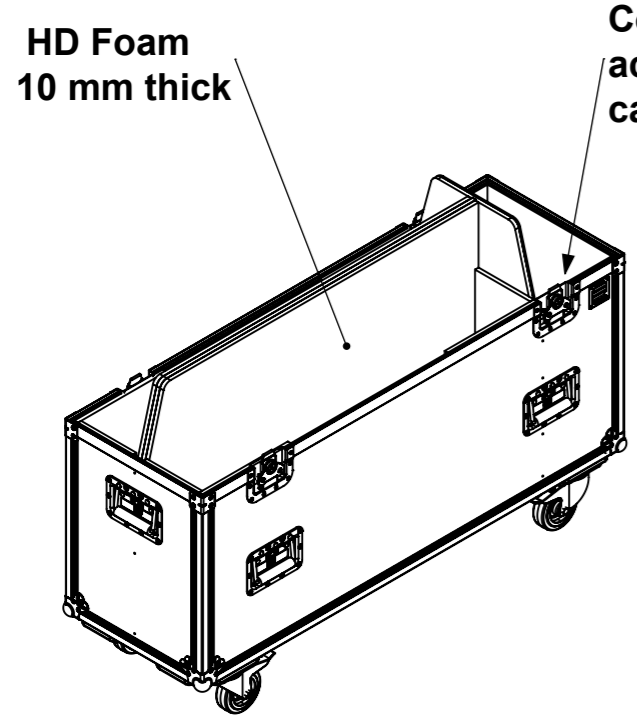


Internal Dimensions		
Width	Depth	Height
920	175	600
Weight	Approx. 14 Kg	
Wall Thickness		10mm



General External Dimensions		Usable Inner Dimensions (UID)	
W	Width	Wi	Inside Width
D	Depth	Di	Inside Depth
H	Height	Hi	Inside Height

A3 This drawing must not be copied or disclosed without consent of the owner

Drawn by	Name	Date
CatarinaHenriques		05/09/2018
Reference	PLASB22.040	
Scale	units in mm	general tolerance
1:12	DO NOT SCALE	0.8mm
1st Angle projection		
FLIGHT CASE, 1-2 SCREEN 40" (92X14X61 UID) + SPACE FOR ACCES		

