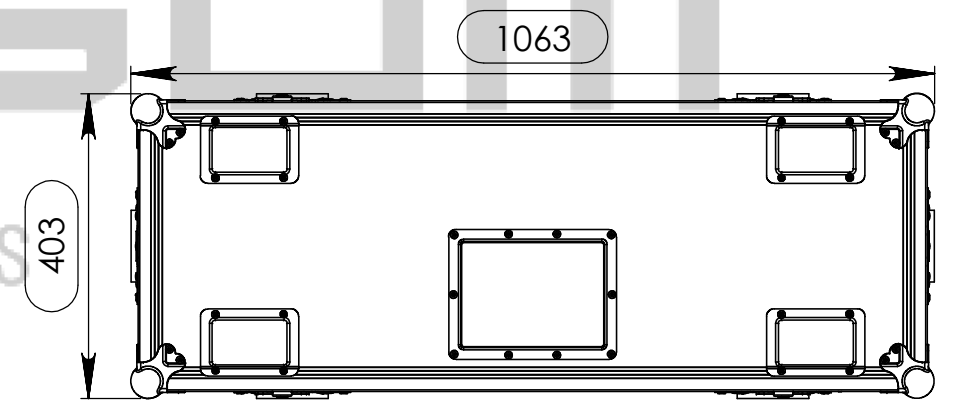
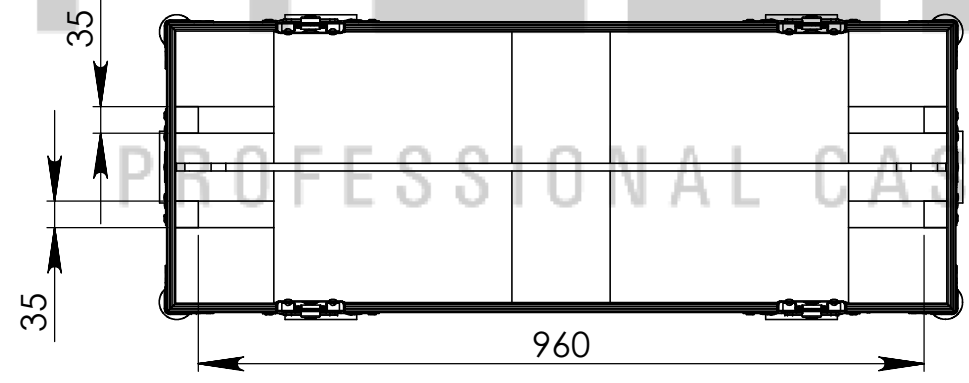
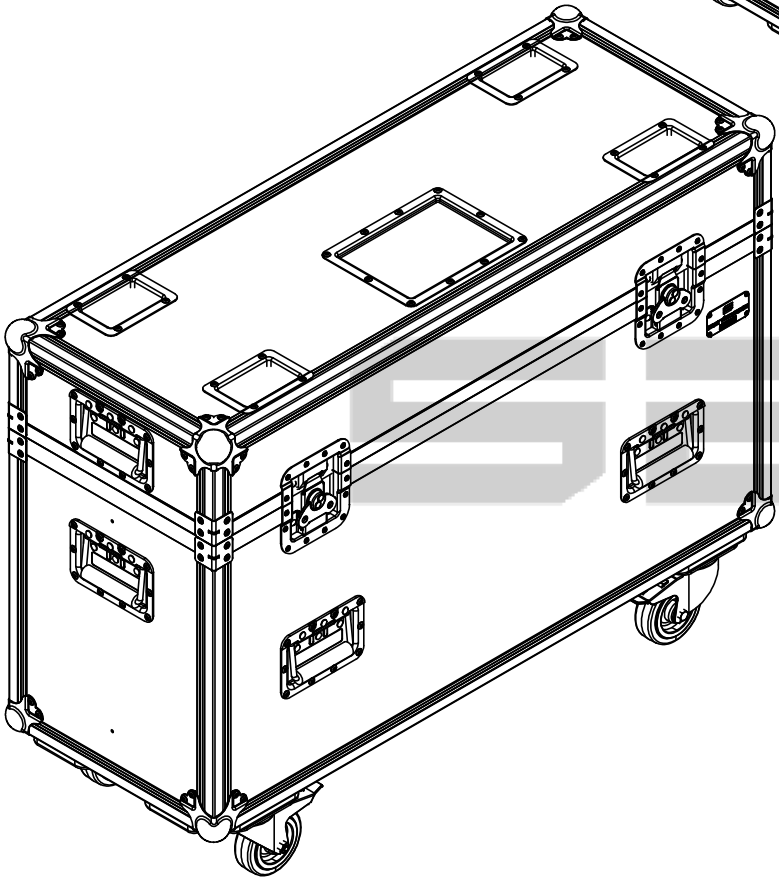
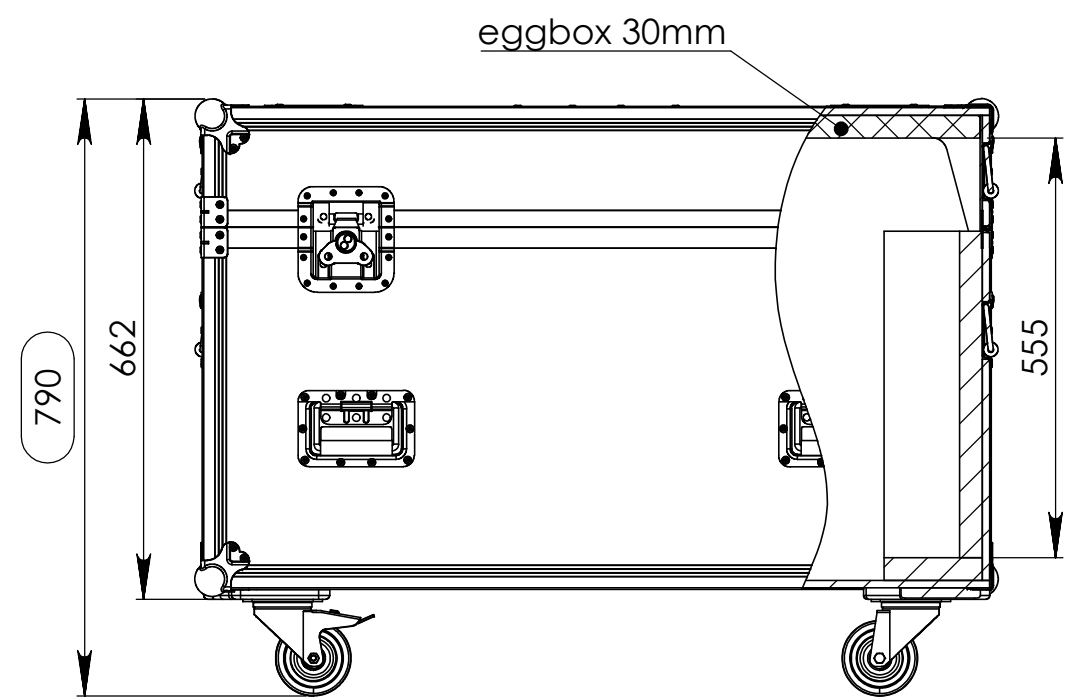
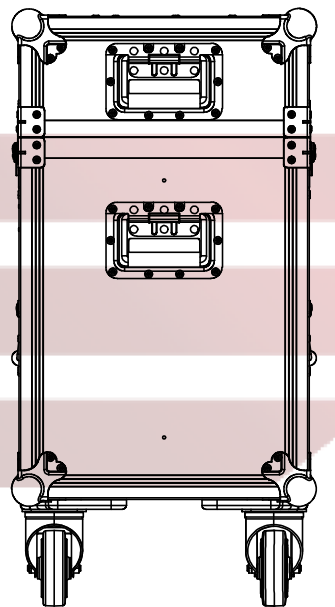
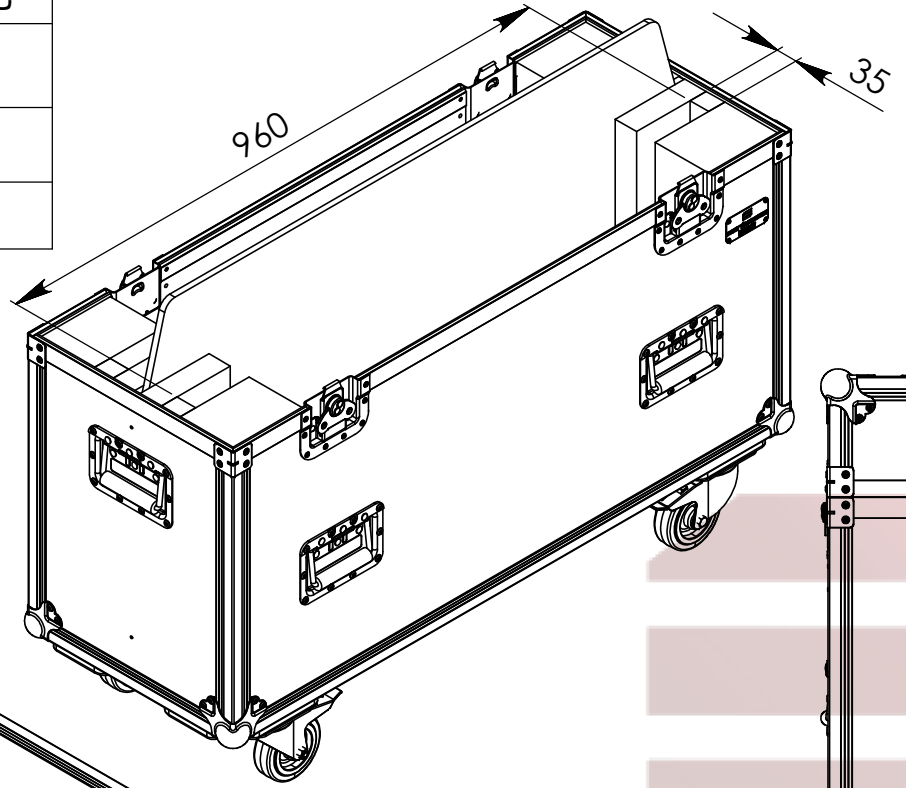


Interior dimensions		
Width	Depth	Height
960	175	555
Weight	Approx. 35 Kg	
Wall Thickness	10mm	

REVISIONS				
ZONE	REV.	DESCRIPTION	DATE	APPROVED
-	-	Final Drawing	01/11/2013	Daniel Lopes



Hardware		
Qty	Ref.	Description
8	410429	Heavy Duty Ball Corner
8	40403	Large corner bracket f. 35mm case angle
4	172531	Large butterfly V3 with 'push-back' function in 14mm dish
8	34082	Recessed sprung handle medium model
1	88001D	Dish for 88001 Tour Label
2	RODA.100T	Swivel castor Ø100mm with brake
2	RODA.100	Swivel castor Ø100 mm
4	38082	Castor dish deep zinc plated

This drawing must not be copied or disclosed without consent of the owner

Drawn by	DanielLopes	Date	01-11-2013
Reference	PLASB2.042C		
Scale	1:10	units in mm	general tolerance 0.8mm
FC. 2 LCD 42" LG 42LM640S, RODAS			

