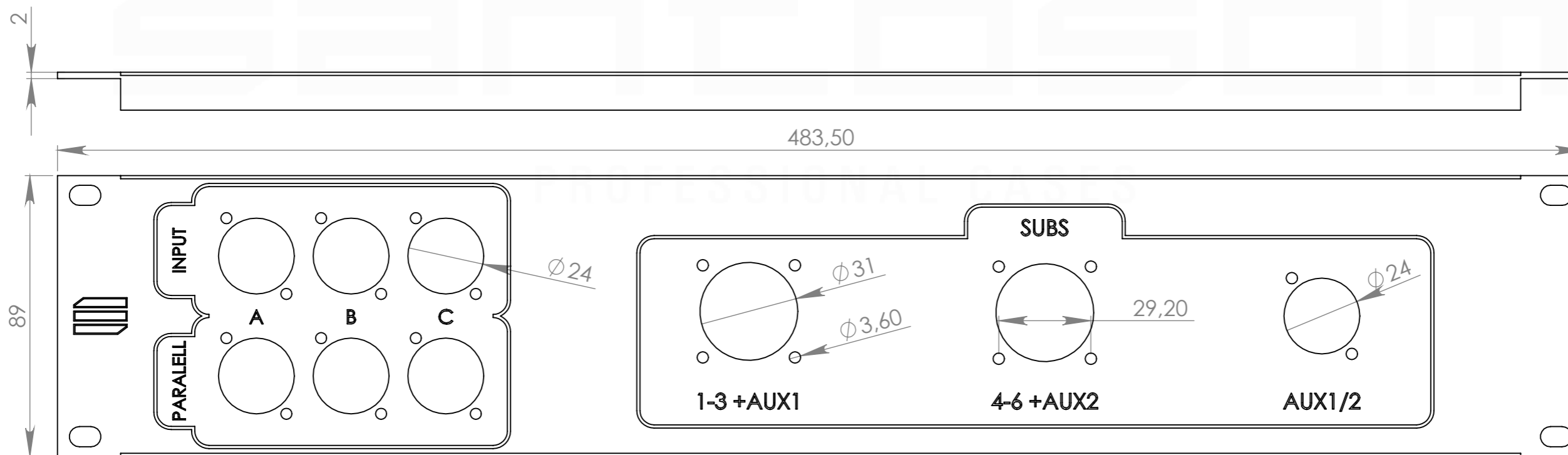
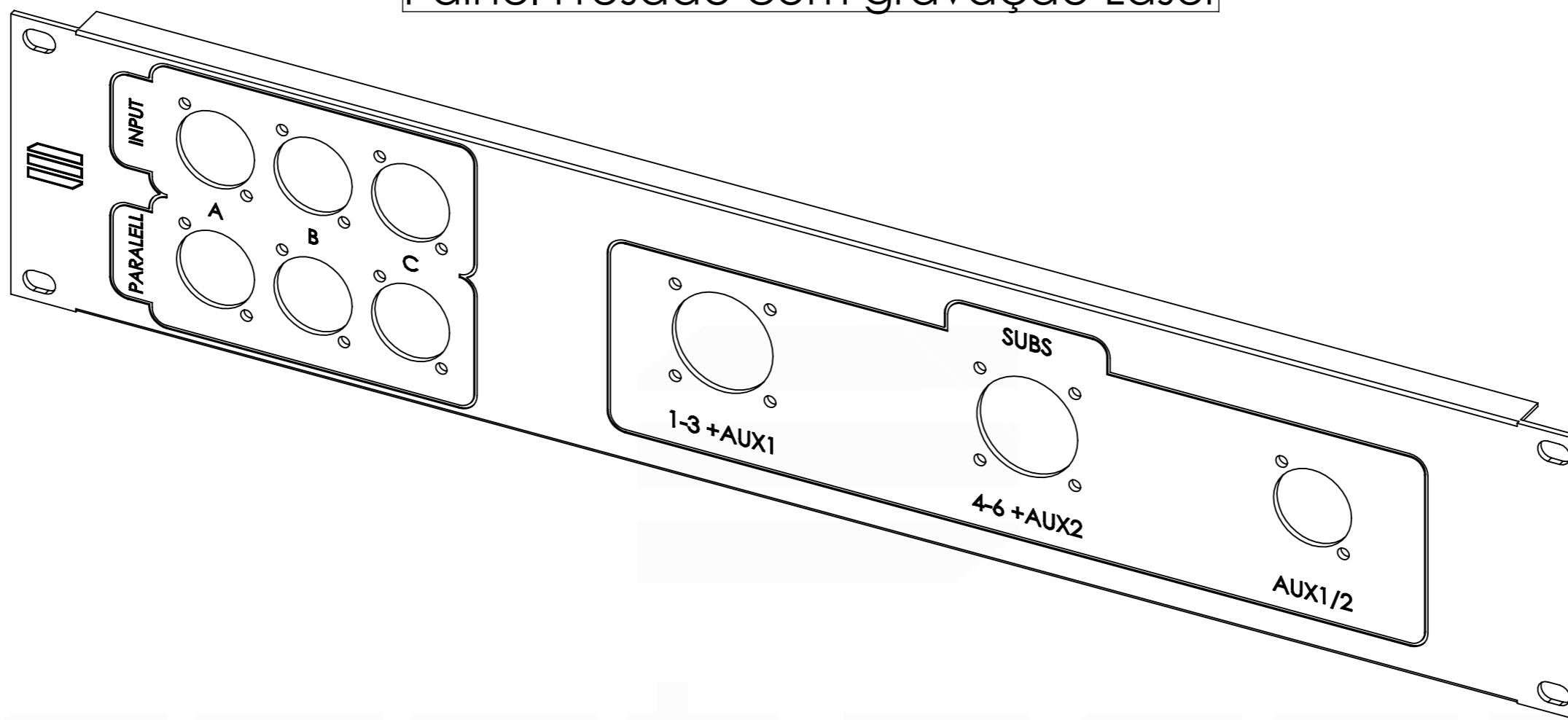


# Painel Fresado com gravação Laser



## Lista de Peças

Descrição	QTY.	comprimento (W)	largura (D)	espessura (Z)	Material
87222	1	483,50	89	2	ALUMÍNIO

Drawn by	telmosantos	Date	30/05/2017
Reference	PFK2.117		
Scale	1:1,5	units in mm	DO NOT SCALE
1st Angle projection		general tolerance	0,8mm
PAINEL RACK, 2 NL8 + 1 NL4 + 6 XLR			



This drawing must not be copied or disclosed without consent of the owner

A3