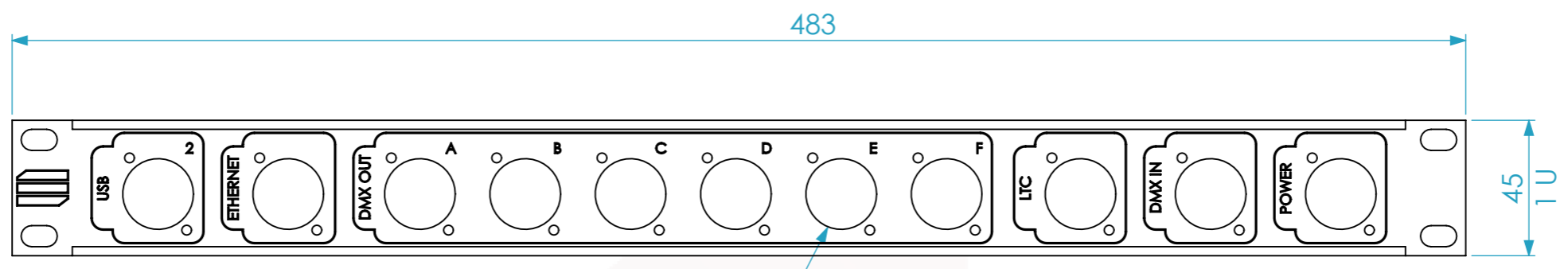
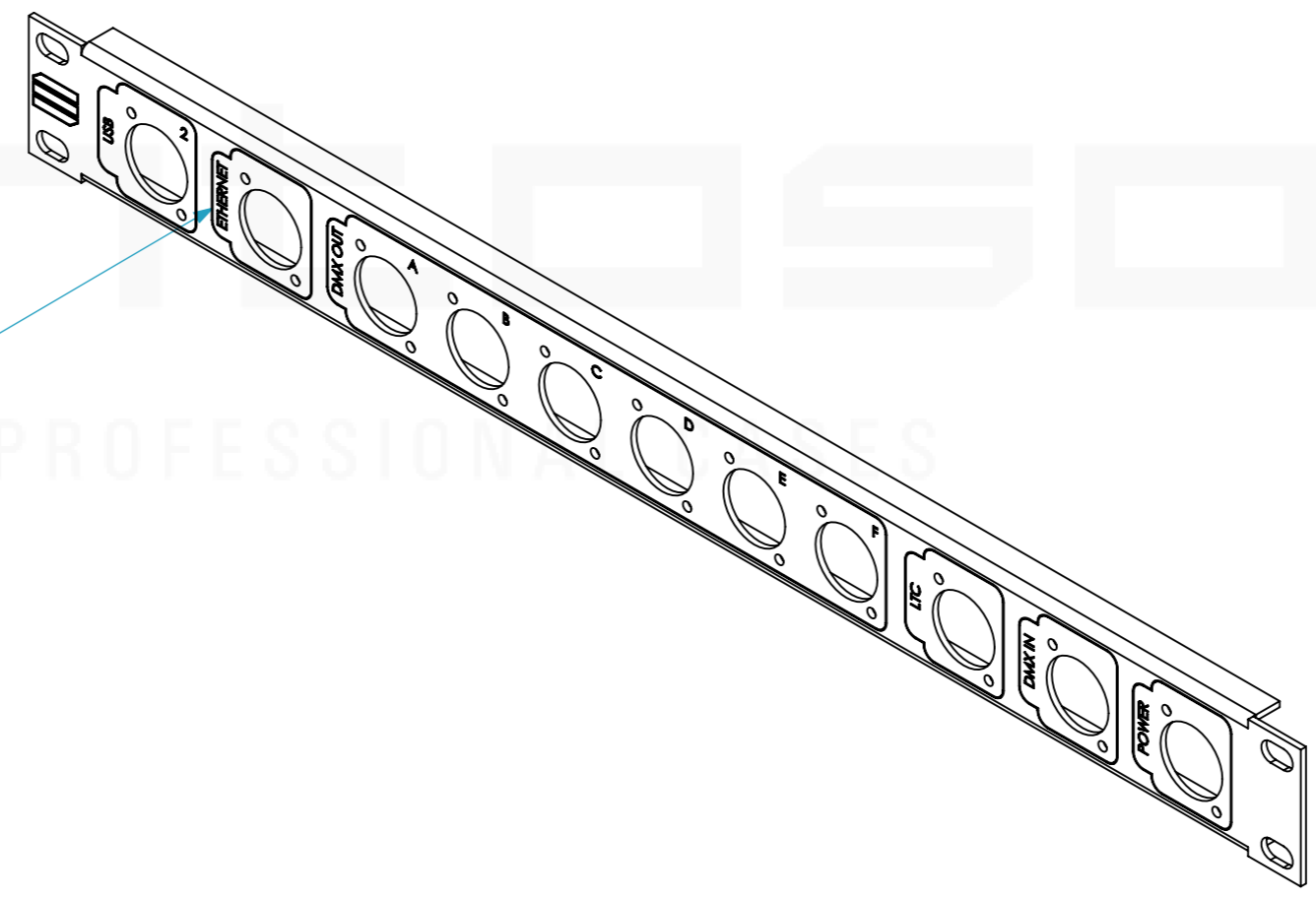


Weight	Approx. 0.12 Kg
19" Panel	1 U



11x D-Series
Connectors
Cutouts

Laser
Engraving



BOM Table		
QTY.	Ref.	Description
1	87221.11	19" U-shaped Rack Panel 1U, Machined for 11x D-Series

Drawn by	alexandre	Date	02-11-2017
Reference	PFK1.145		
Scale	1:2	units in mm	general tolerance 0.8mm
PAINEL RACK 1U, 11-FUROS, GRAVAÇÃO			

This drawing must not be copied or disclosed without consent of the owner

