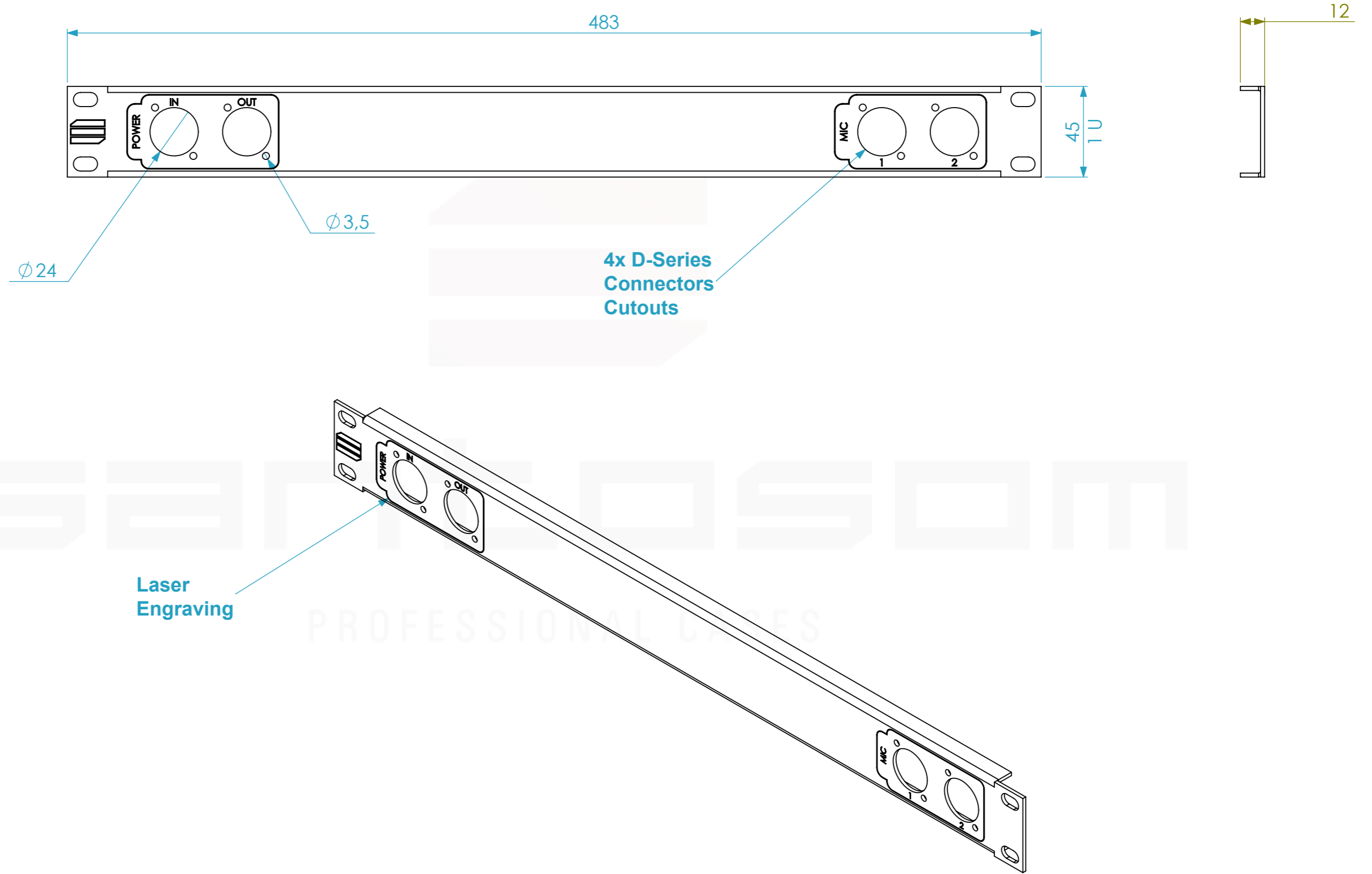


<b>Weight</b>	Approx. 0.13 Kg
<b>19" Panel</b>	1 U



BOM Table		
QTY.	Ref.	Description
1	87221.04	19" Rack panel 1U Machined for 6x D-Series

Drawn by	CarlaSilva	Date	02/05/2018
Reference	PFK1.106C		
Scale	1:2	units in mm	general tolerance 0.8mm
1st Angle projection		PAINEL RACK 1U, 4-FUROS, GRAVAÇÃO	

This drawing must not be copied or disclosed without consent of the owner

**santosom**  
PROFESSIONAL CASES