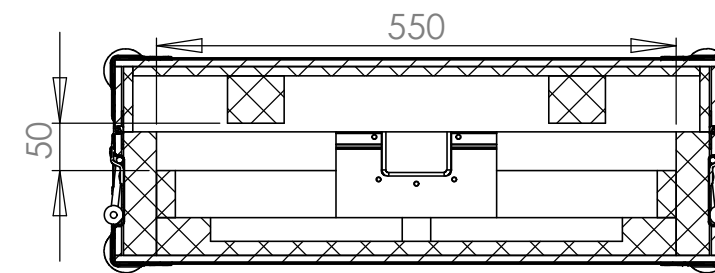
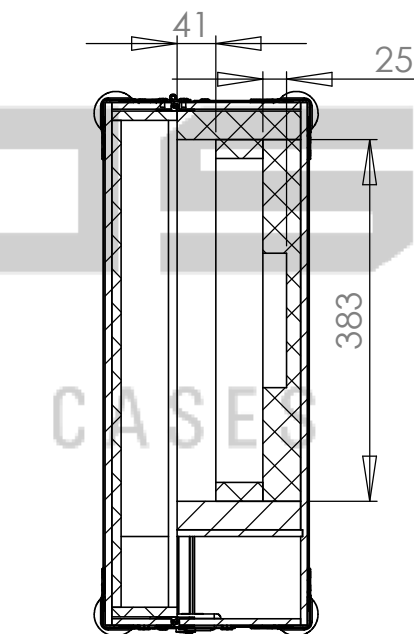
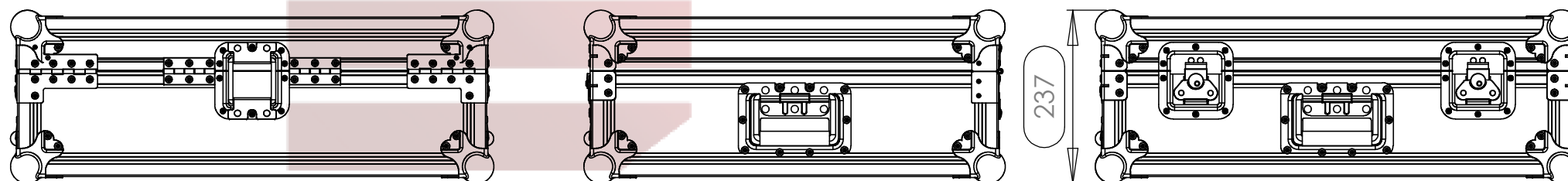


Interior dimensions		
Width	Depth	Height
550	383	50
Weight	Approx. 12 Kg	
Wall Thickness		7mm

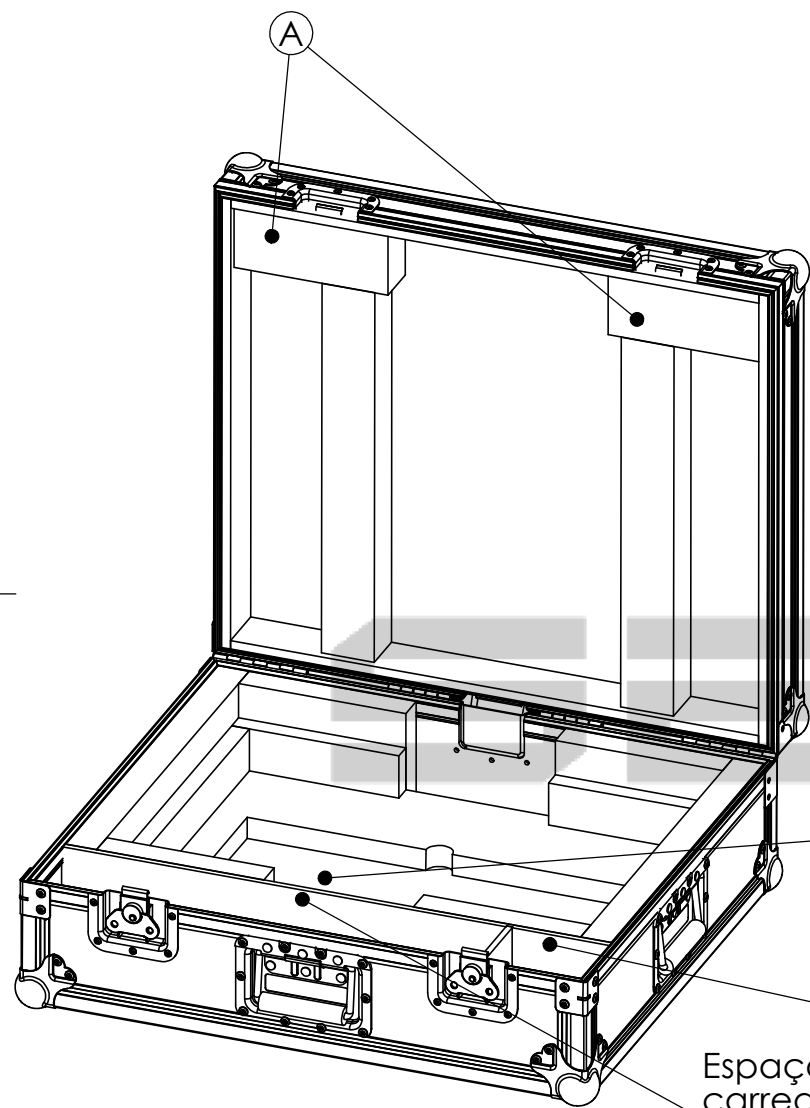
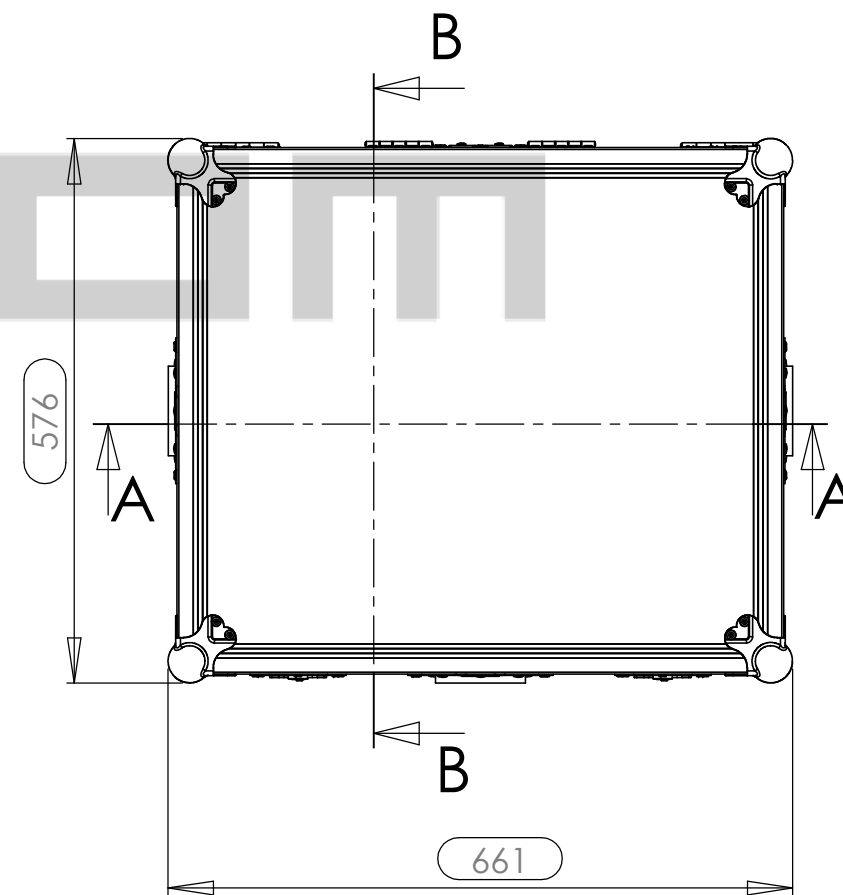
REVISIONS				
ZONE	REV.	DESCRIPTION	DATE	APPROVED
-	0	Final Drawing	31/01/2013	Daniel Lopes
A	1	HD pads to hold accessories	18/02/2013	Daniel Lopes



SECTION A-A



SECTION B-B



Rebaixo na espuma para alojar teclado.

Espaço para rato

Espaço para carregador/cabos

Hardware	
Qty	Description
4	Large corner bracket f. 35mm case angle
8	Heavy Duty Ball Corner
2	Key lockable medium Butterfly special
3	Recessed sprung handle medium model
1	Medium recessed lid stay
2	110MM hinge shot
2	Medium duty butt hinge z./p.

A3

This drawing must not be copied or disclosed without consent of the owner



Scale 1:8

units in mm DO NOT SCALE

general tolerance 0.8mm

Drawn by	Name	Date
Daniel Lopes	Daniel Lopes	18-02-2013
Reference	PC.LCD2.23A	

