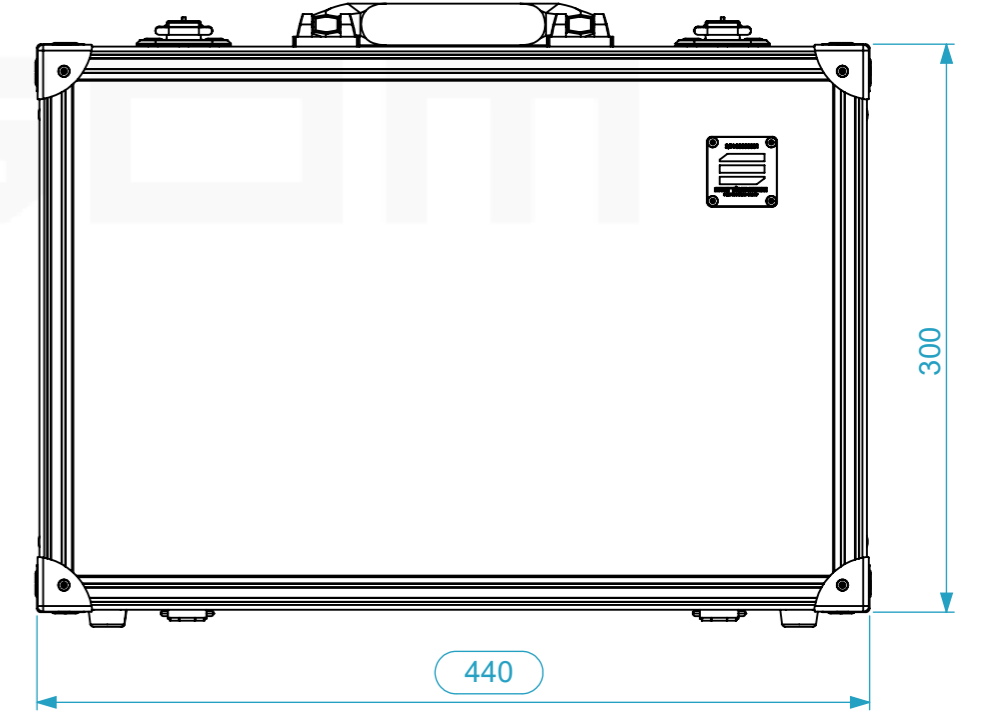
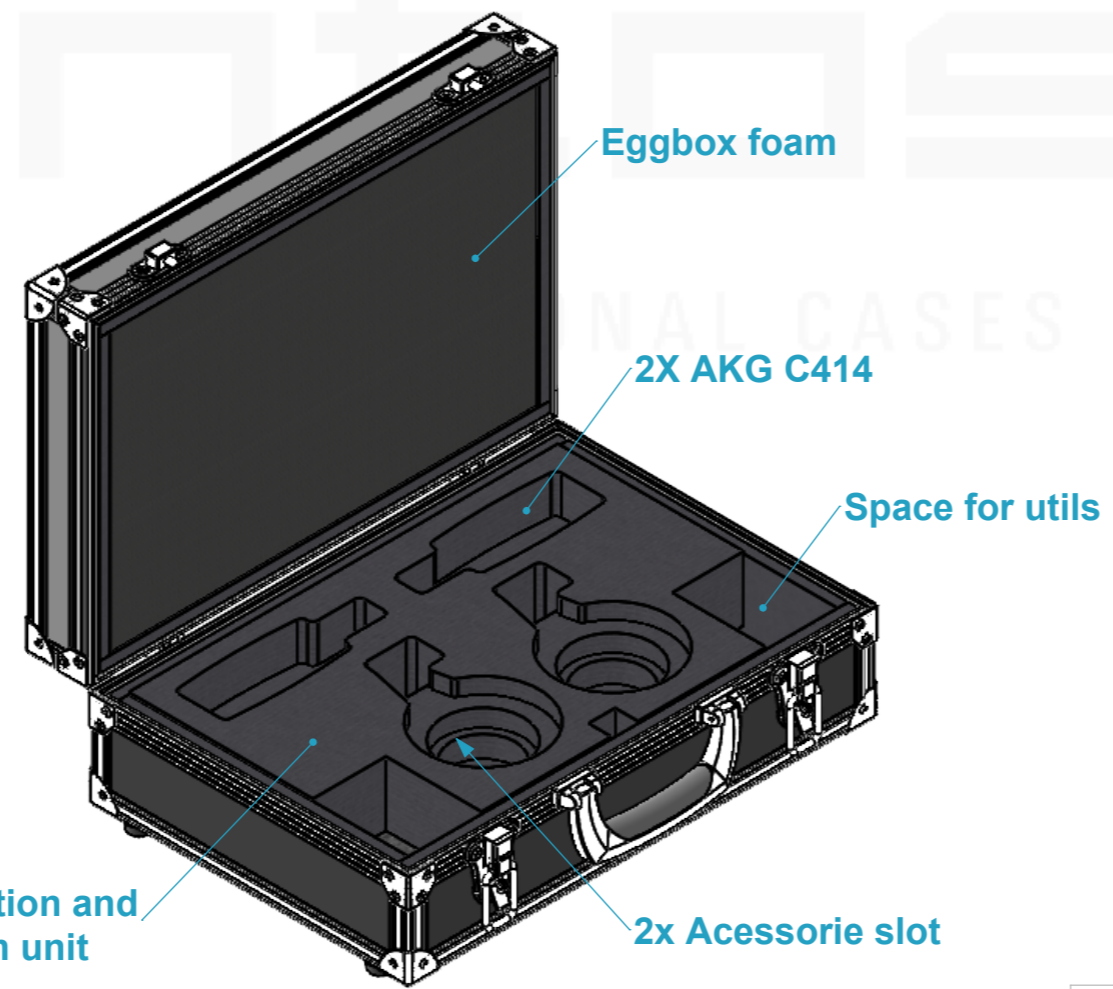
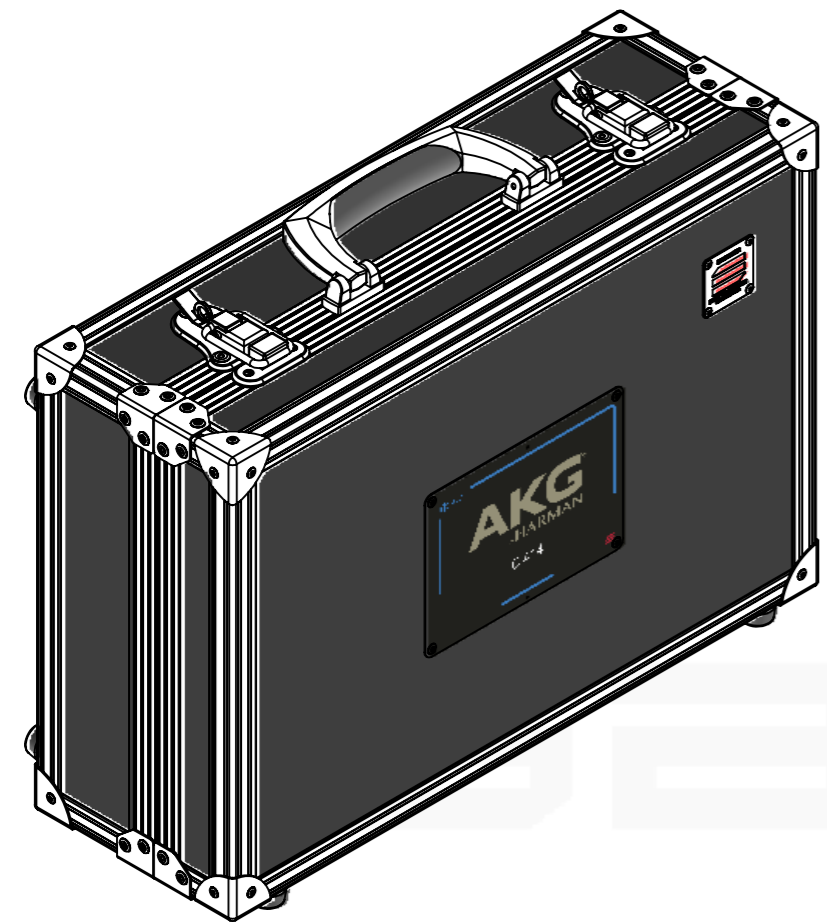
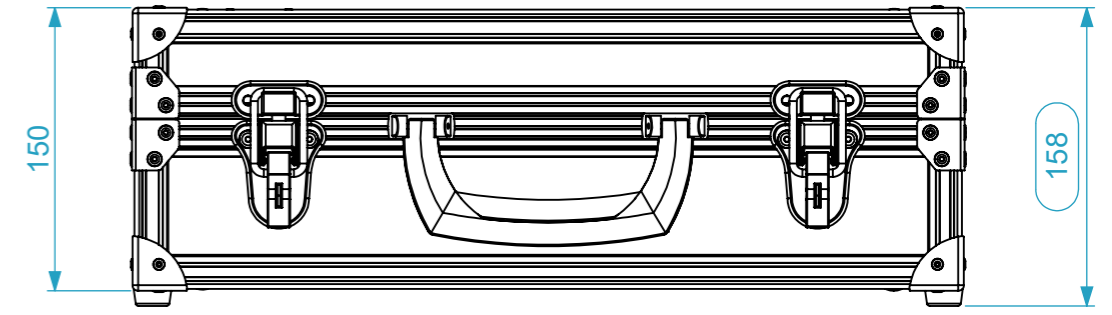
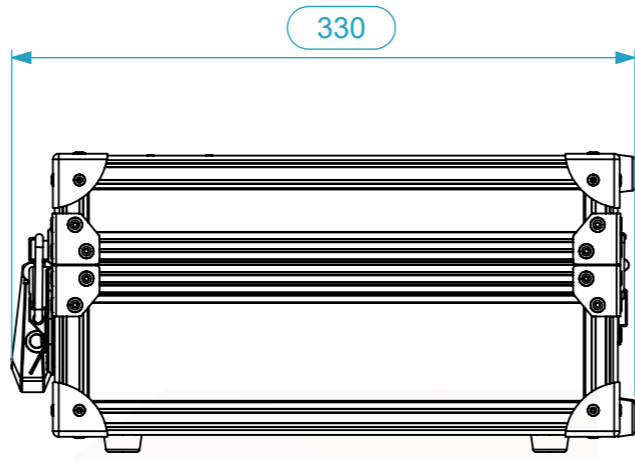


Internal Dimensions		
Width	Depth	Height
422	282	135
Weight	Approx. 3 Kg	
Wall Thickness		5 mm



Equipment protection and packaging foam unit

A3 This drawing must not be copied or disclosed without consent of the owner

Drawn by	Name	Date
alvaro.santos	alvaro.santos	12/04/2023
Reference	MICRO.129	
Scale	units in mm	general tolerance
1:4	DO NOT SCALE	0.8mm
1st Angle projection		
FLIGHTCASE 2X AKG C414		

