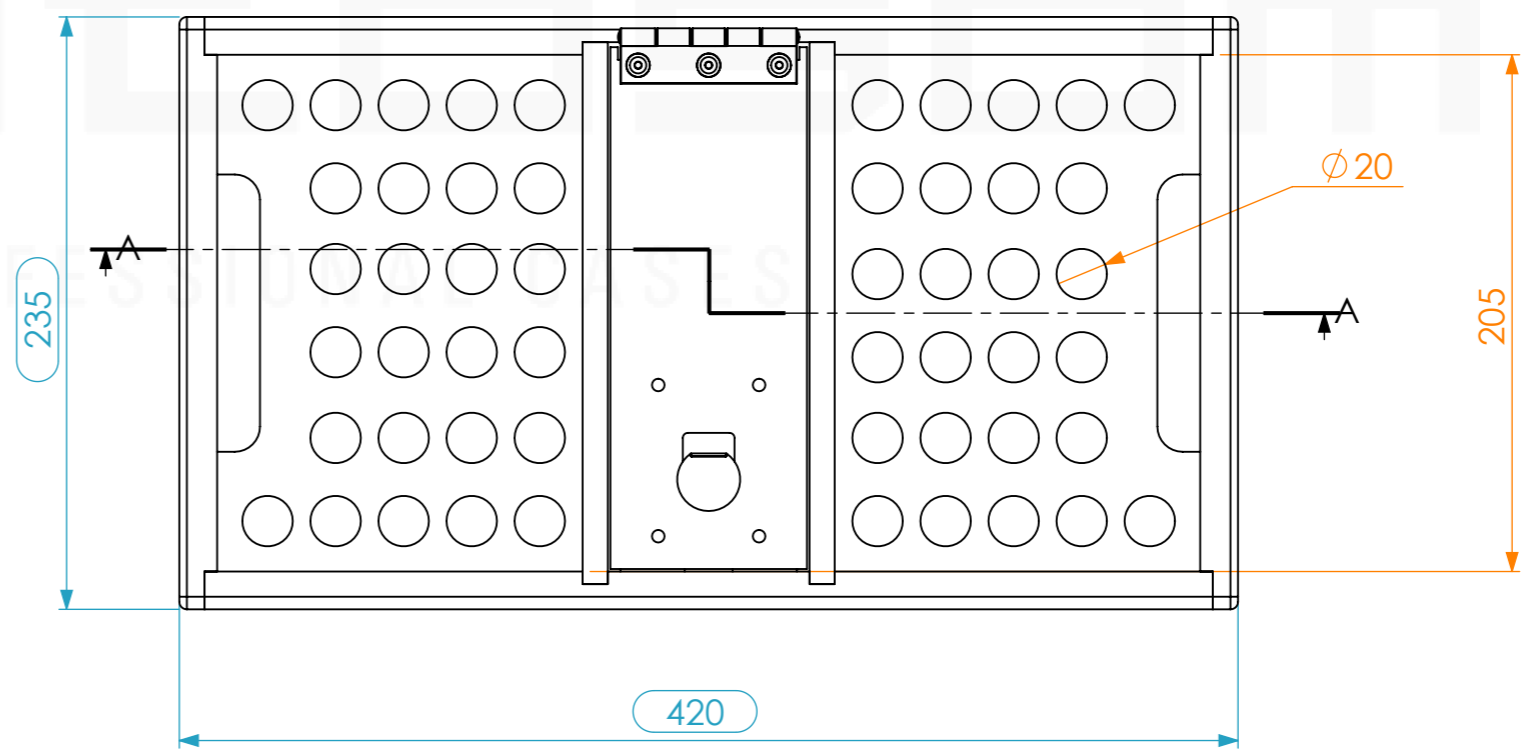
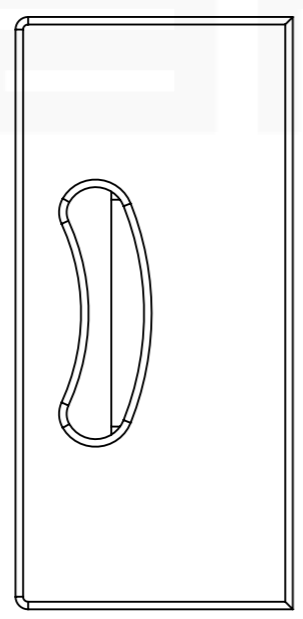
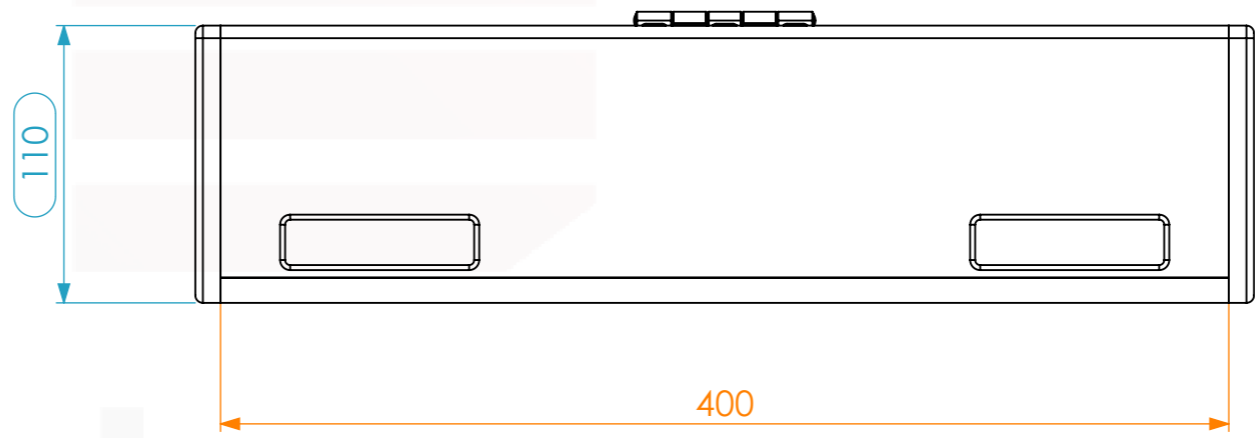
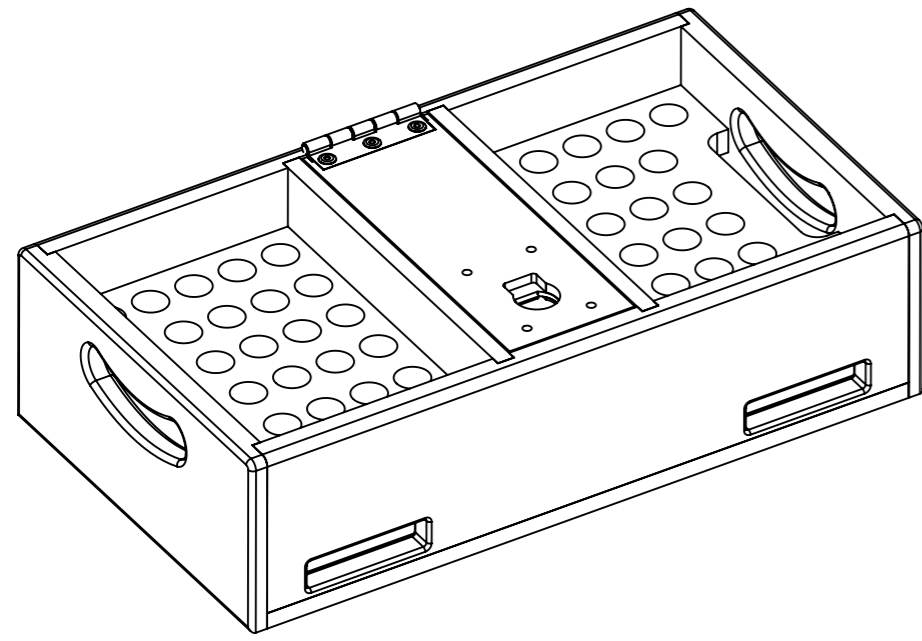
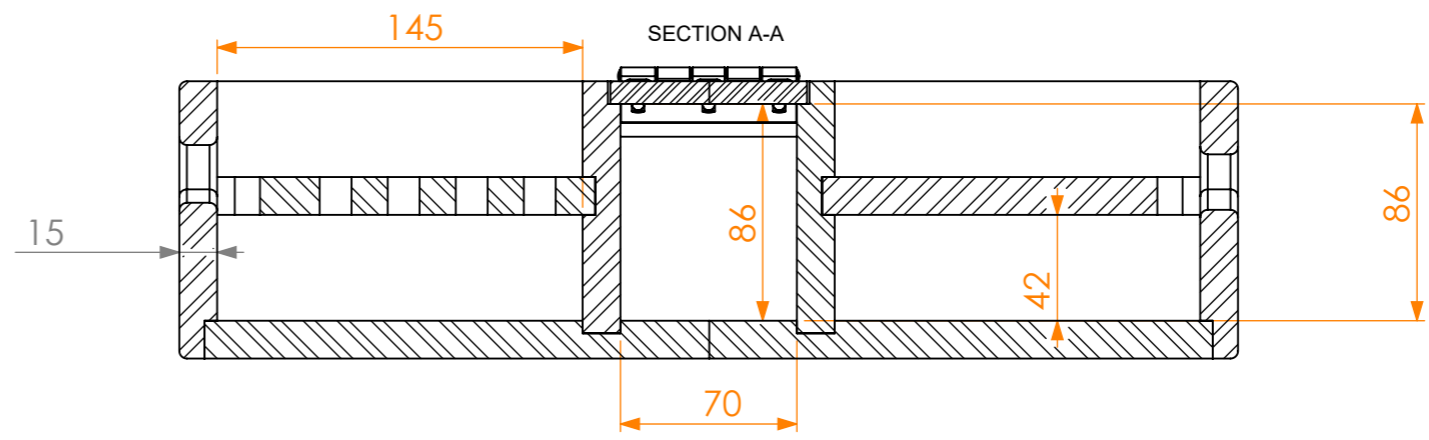


Internal Dimensions		
Width	Depth	Height
145	205	86
Weight	Approx. 3.09 Kg	
Wall Thickness	15 mm	



Name	Date	
Drawn by	carlasilva	19/12/2019
Reference	MTC5020	
Scale	units in mm	general tolerance
1:3	DO NOT SCALE	0.8mm
Module 52x Spigot Ø20, 300x R-Spring		



This drawing must not be copied or disclosed without consent of the owner



A3