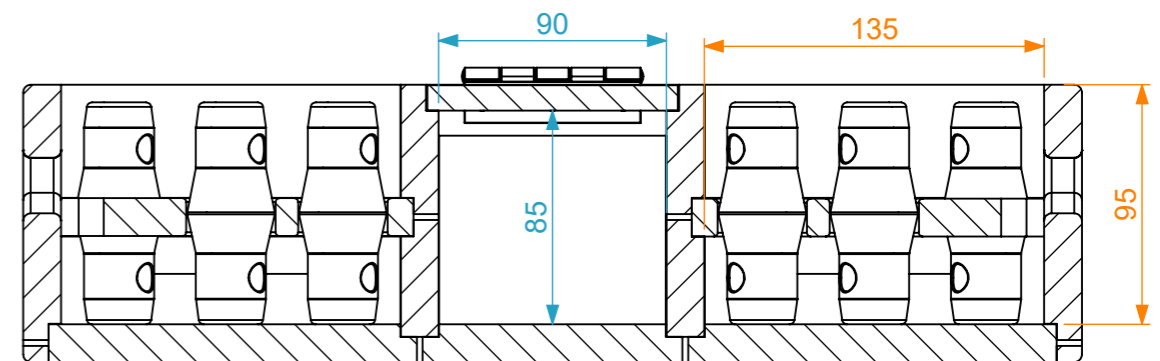
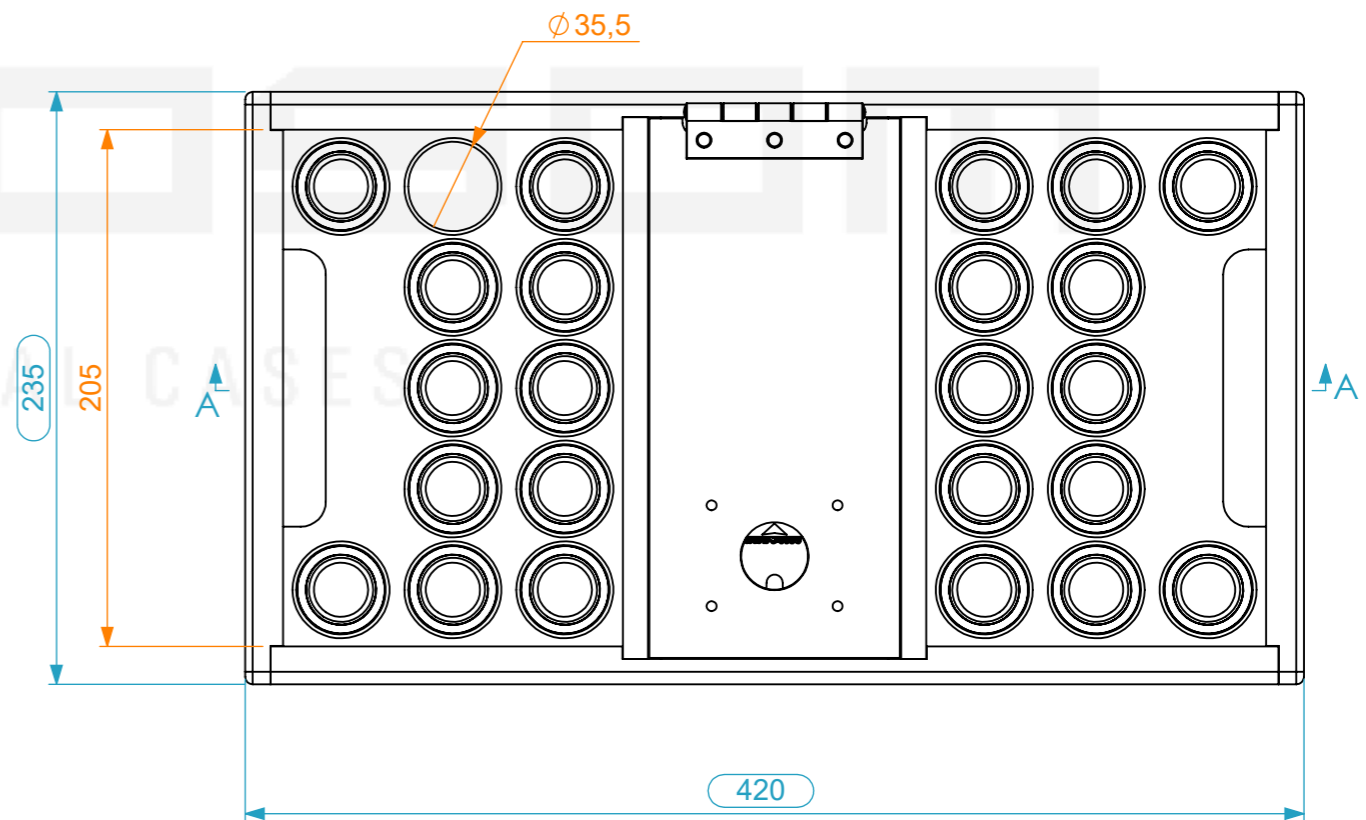
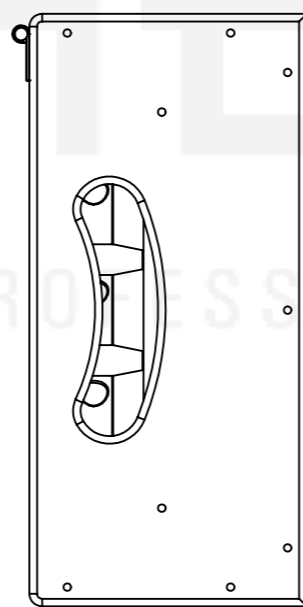
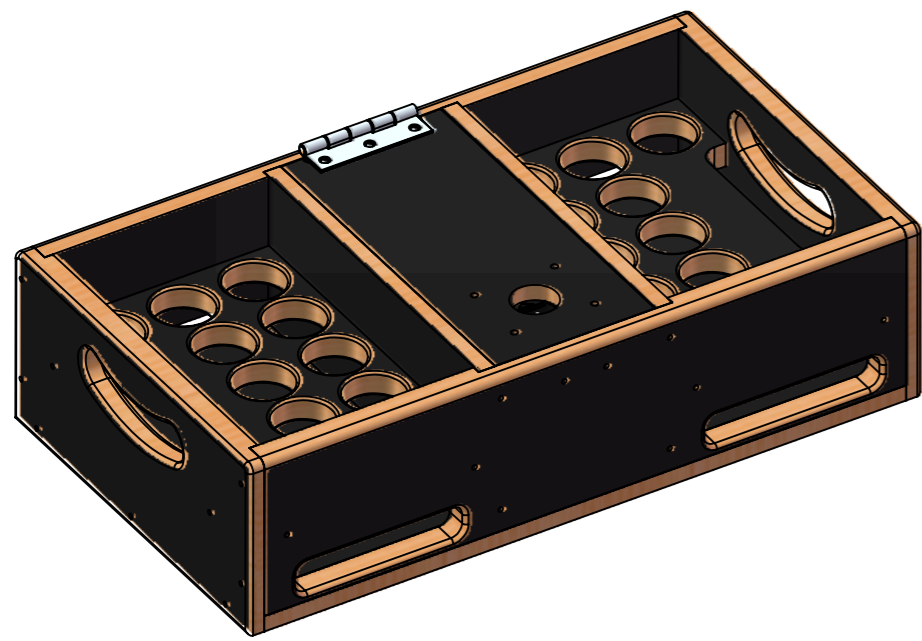
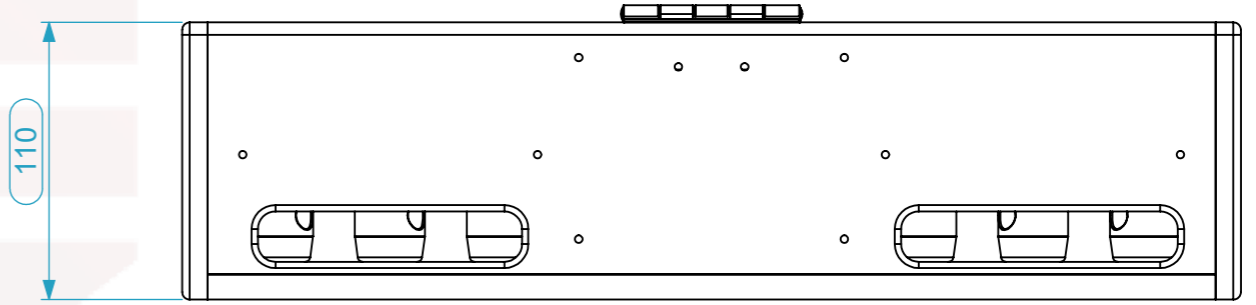
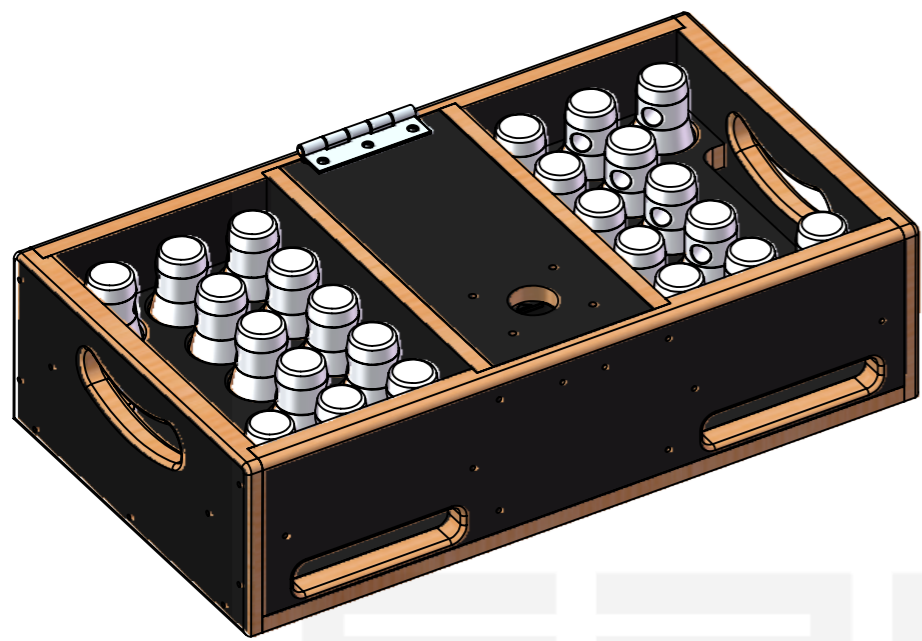


Equipment	24x Conical Ø35	
Width	Depth	Height
Ø35	Ø35	88
Internal Dimensions		
Width	Depth	Height
135	205	95
Weight	Approx. 3.19 Kg	
Wall Thickness	15mm	



SECTION A-A



420

Name	Date
Drawn by paula.almeida	08/01/2026
Reference	MTC9612A
Scale	1:3
units in mm	general tolerance 0.8mm
DO NOT SCALE	
Module 96x Spigot Ø12, 300x R-Spring	



This drawing must not be copied or disclosed without consent of the owner



A3