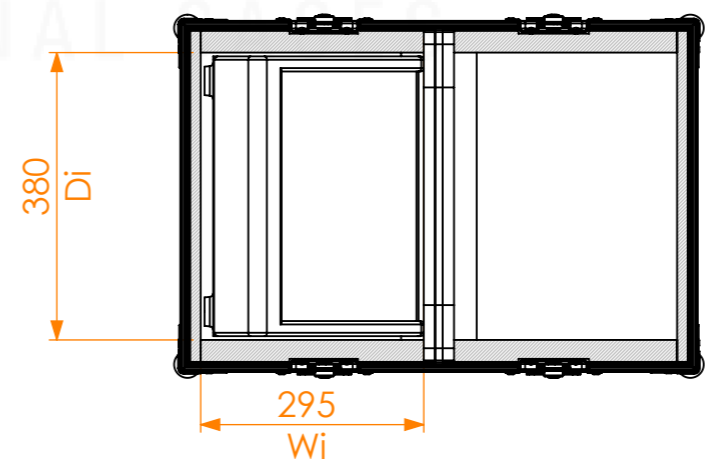
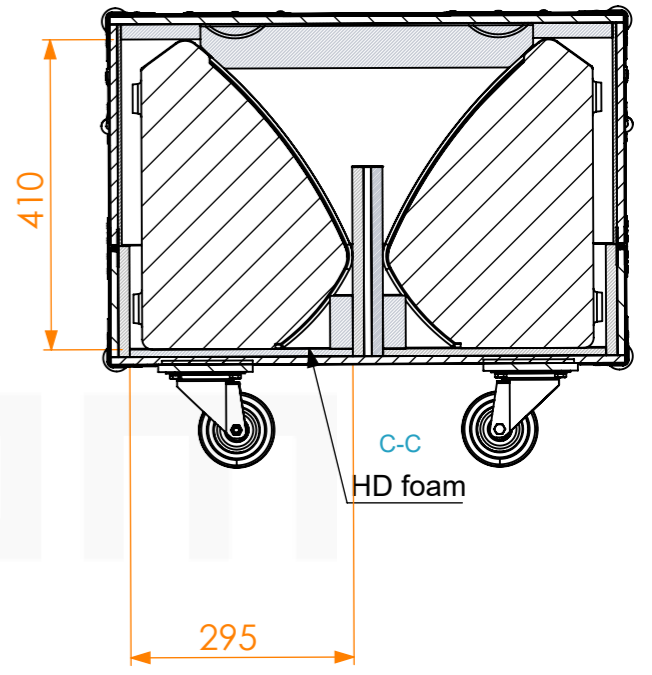
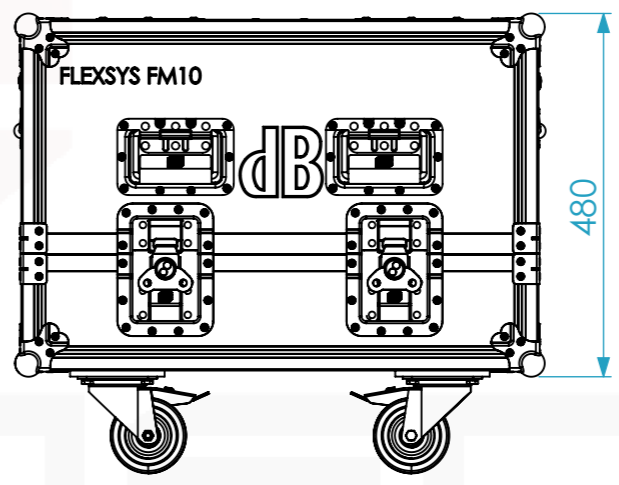
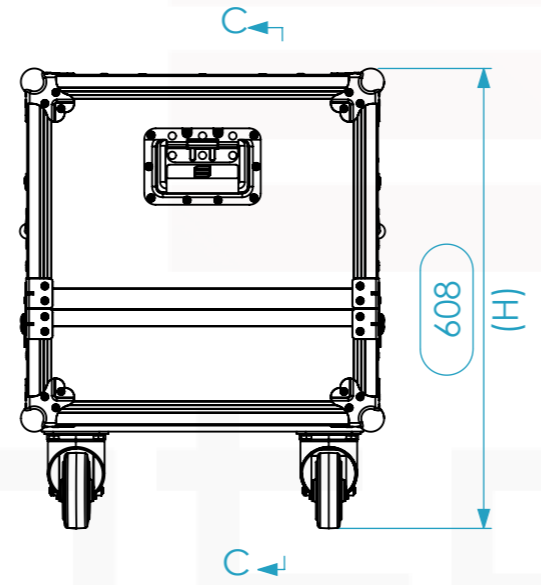
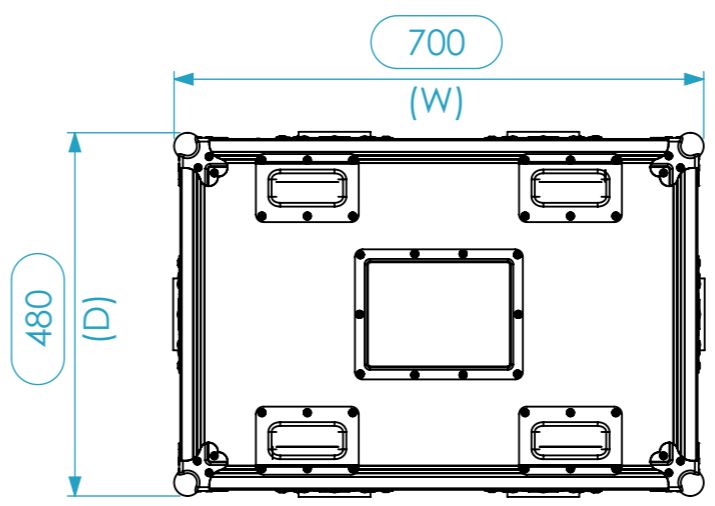
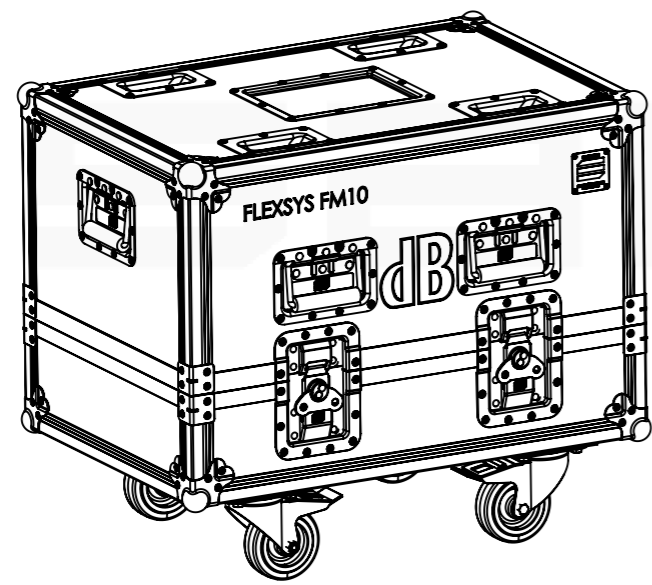
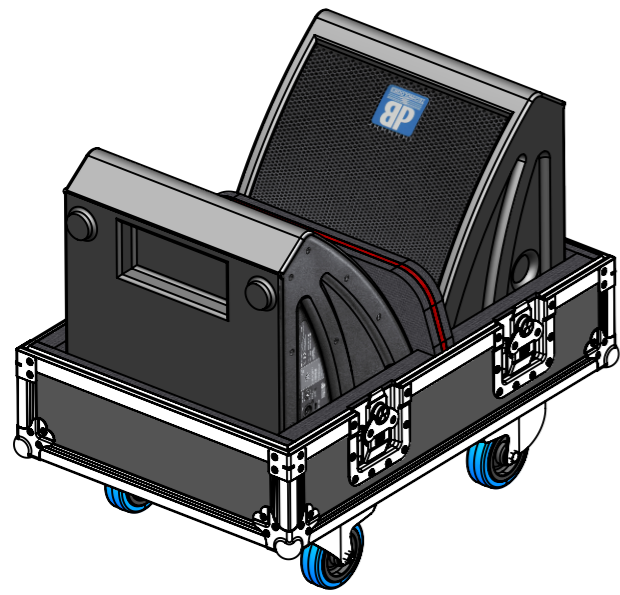
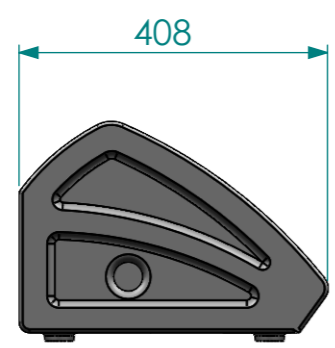
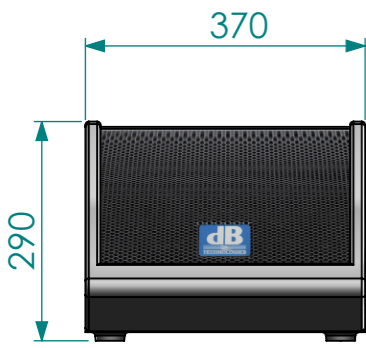


Equipment			Flexsys FM10		
Width	Depth	Height			
370	410	290			
Internal Dimensions					
Width	Depth	Height			
656	436	440			
Weight	Approx. 24.10 Kg				
Wall Thickness					10mm



DB Technologies Flexsys FM10 | Equipment Weight.: 12.8Kg



General External Dimensions		Usable Inner Dimensions	
W	Width	Wi	Inside Width
D	Depth	Di	Inside Depth
H	Height	Hi	Inside Height

Name	Date	
Drawn by	CarlaSilva	14/06/2019
Reference	MONITOR.718	
Scale	units in mm	general tolerance
1:10	DO NOT SCALE	0.8mm
FC. 2X DB FLEXSYS FM10		



This drawing must not be copied or disclosed without consent of the owner



A3