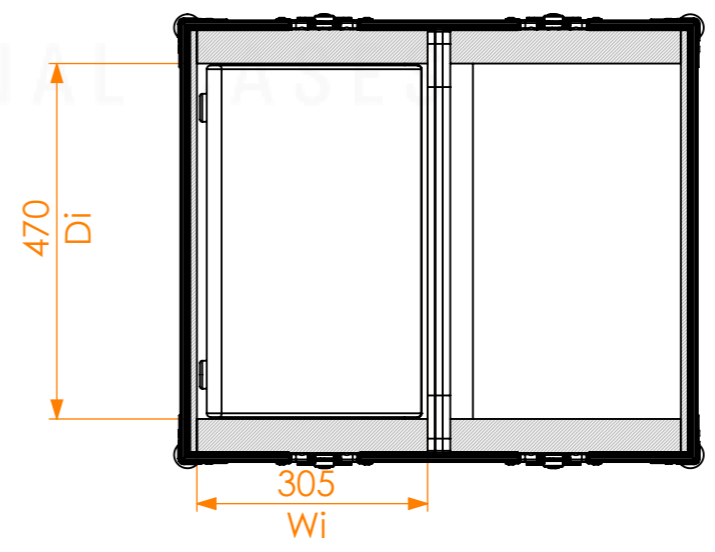
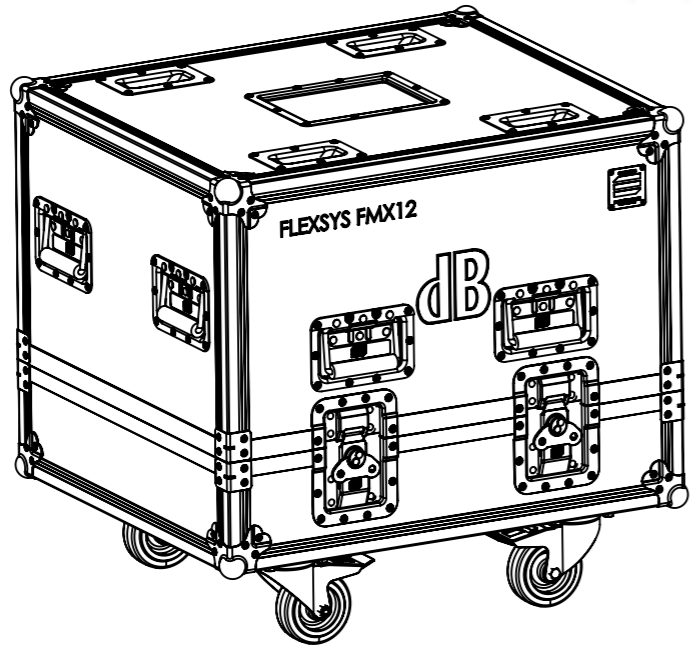
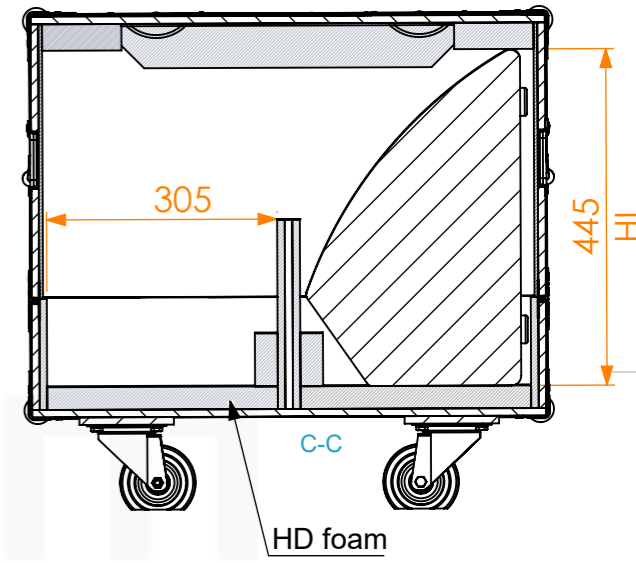
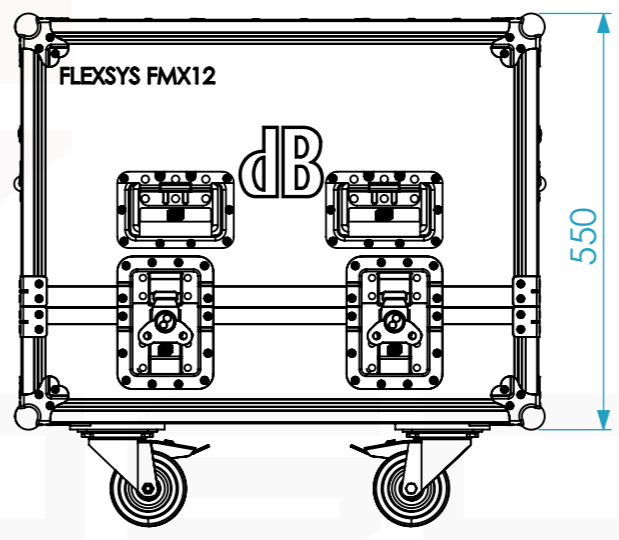
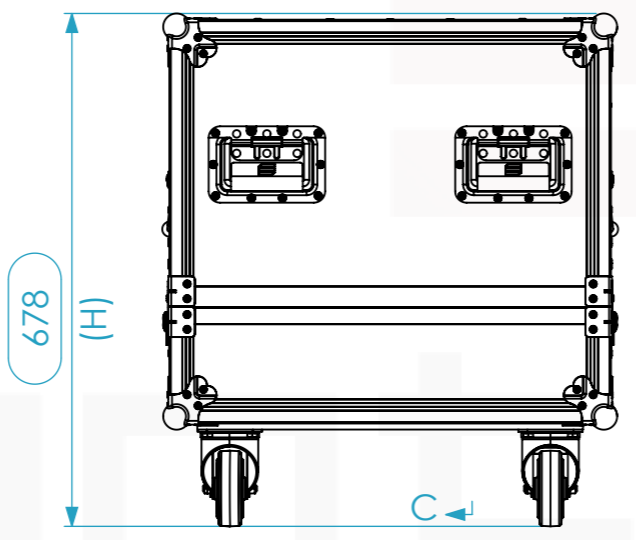
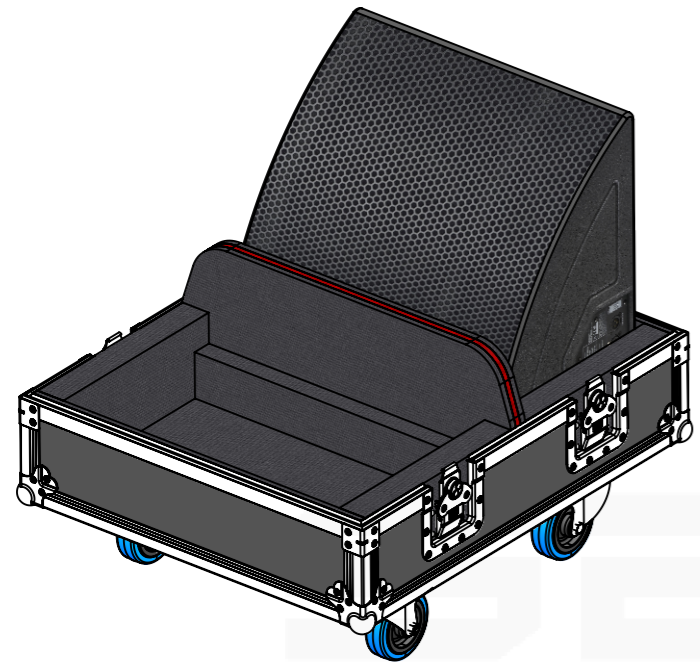
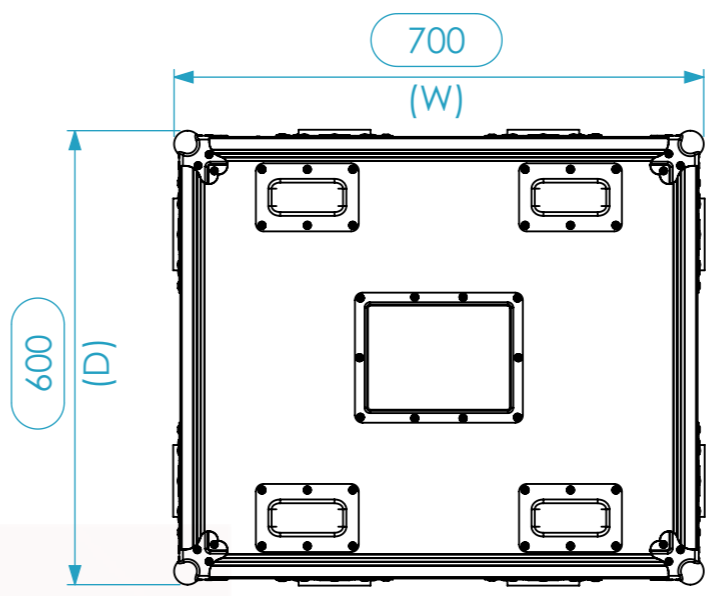
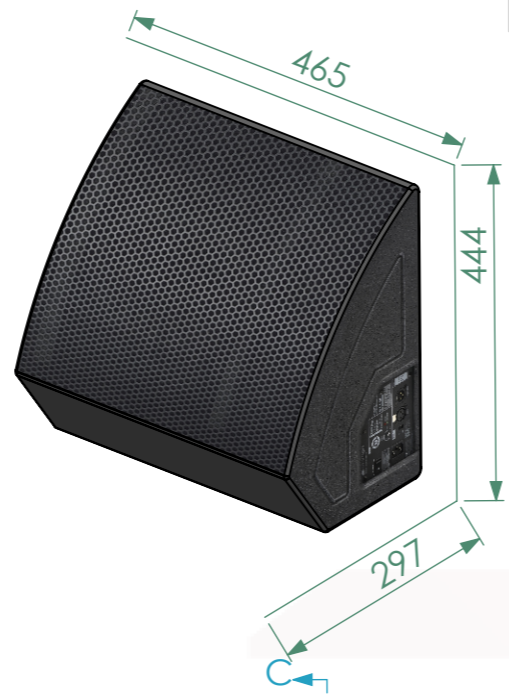


Equipment			FLEXSYS FM12		
Width	Depth	Height			
465	297	444			
Internal Dimensions					
Width	Depth	Height			
305	470	445			
Weight	Approx. 13.34 Kg				
Wall Thickness					10mm



General External Dimensions		Usable Inner Dimensions	
W	Width	Wi	Inside Width
D	Depth	Di	Inside Depth
H	Height	Hi	Inside Height

Name	Date
Drawn by projects	31/10/2019
Reference	MONITOR.712A
Scale	1:10
units in mm	general tolerance 0.8mm
DO NOT SCALE	
FC. 2X DB FLEXSYS FMX12	



This drawing must not be copied or disclosed without consent of the owner

A3

