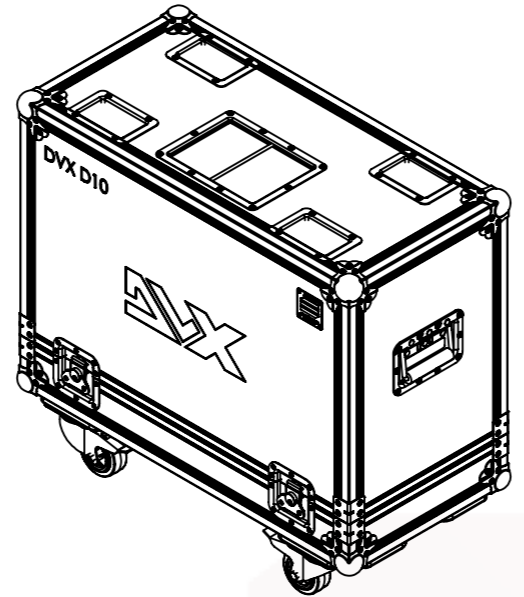
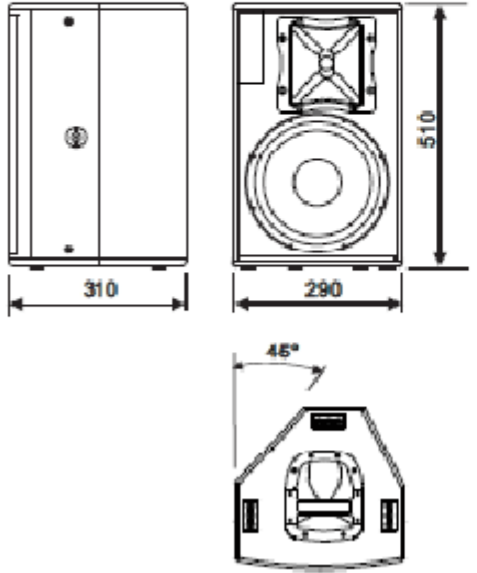
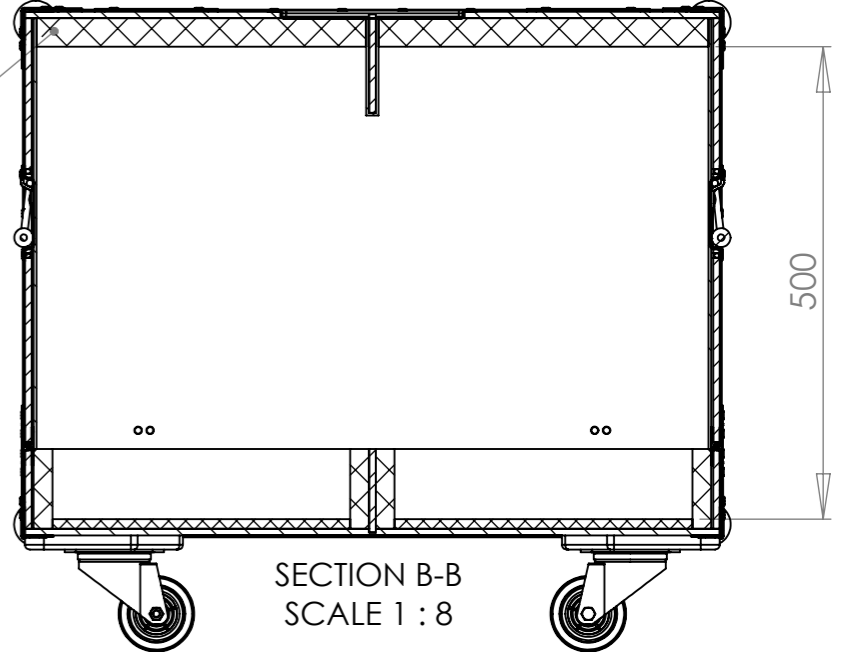


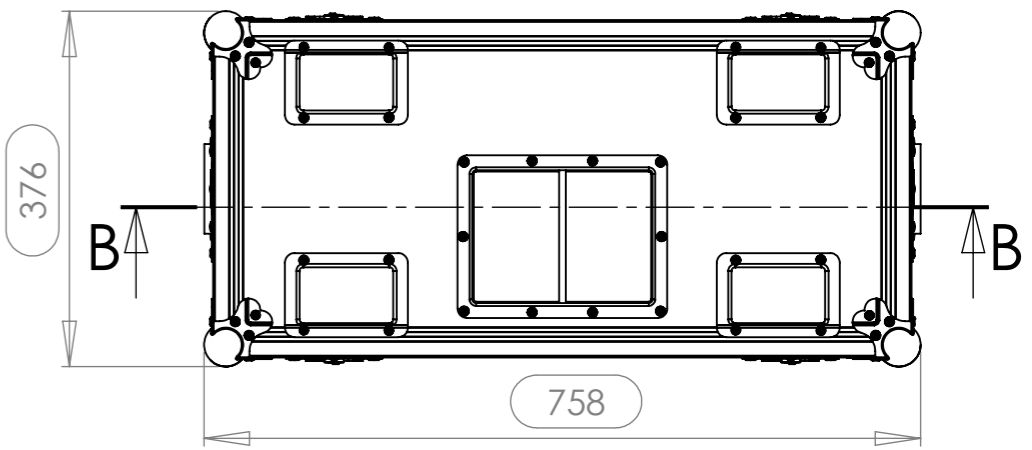
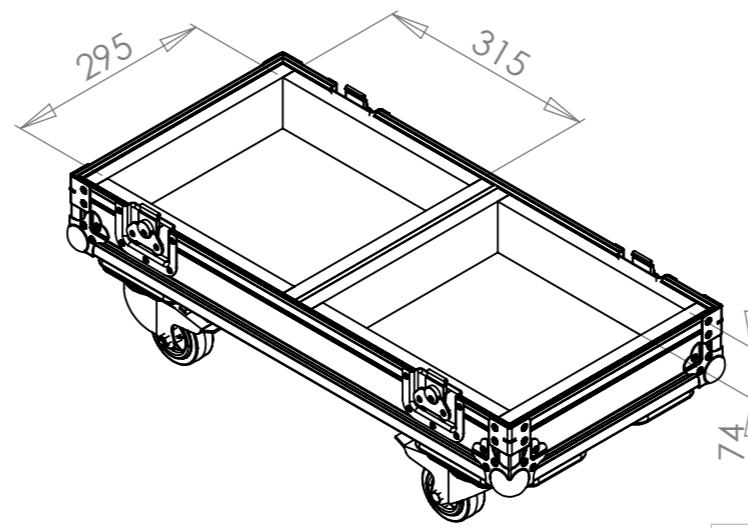
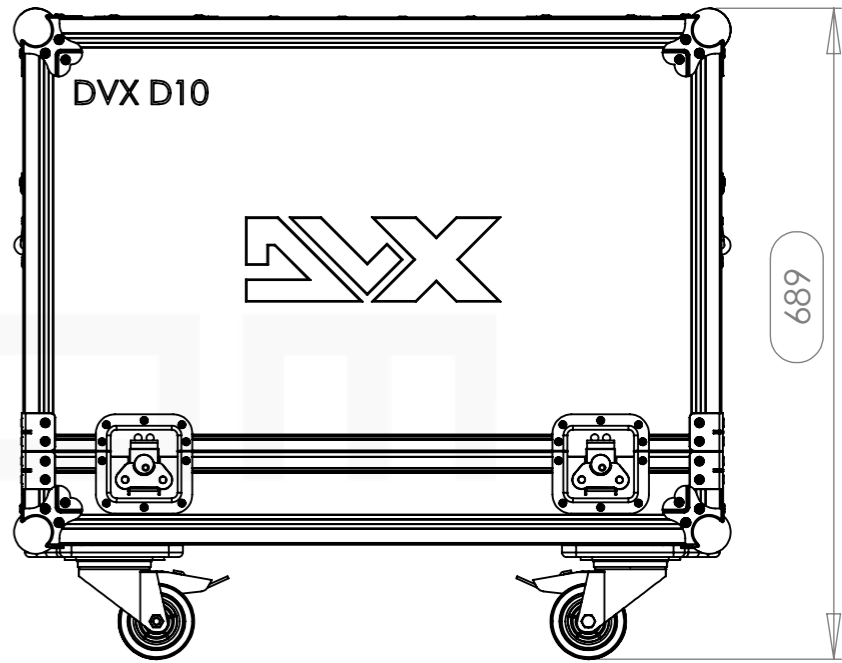
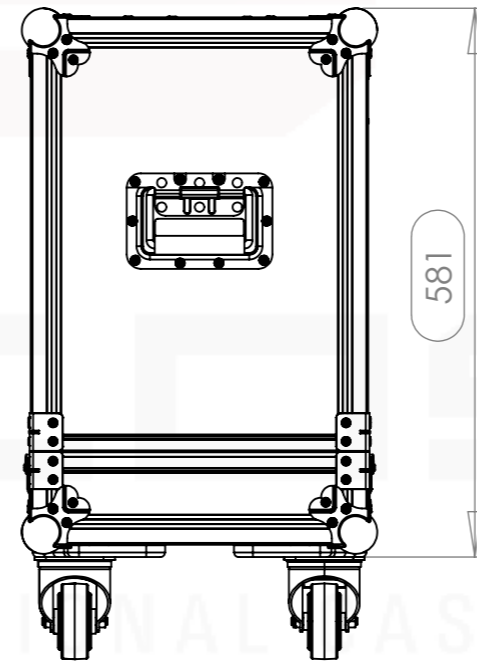
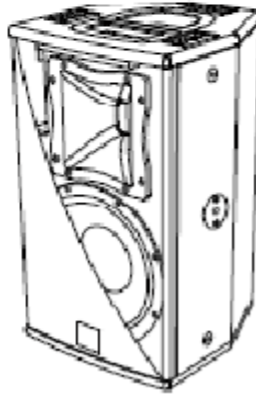
Equipment	db DVX D10 HP	
Width	Depth	Height
310	290	510
Internal Dimensions		
Width	Depth	Height
315	295	500
Weight	Approx. 22 Kg	
Wall Thickness	7mm	



Pressing Eggbox Foam
30 mm thick



DVX D10 HP



Hardware		
Qty	Ref.	Description
4	17290S	Key lockable medium Butterfly special
8	410429	Ball Corner large three-leg cranked 35 mm 9 holes
8	40403	Large corner bracket f. 35mm case angle
2	RODA.80T	Swivel castor Ø80 mm with brake
2	RODA.80	Swivel castor Ø80 mm without brake
2	34082	Recessed sprung handle medium model
1	CHAPA.1000	Identification Plate
1	88001D	Dish for 88001 Tour Label
4	38082	Castor dish deep zinc plated

This drawing must not be copied or disclosed without consent of the owner

Drawn by	jorgepacheco	Date	20/03/2017
Reference	MONITOR.618		
Scale	1:7	units in mm	general tolerance 0.8mm
1st Angle projection	FC, 2 Columnas dB DVXD10		

