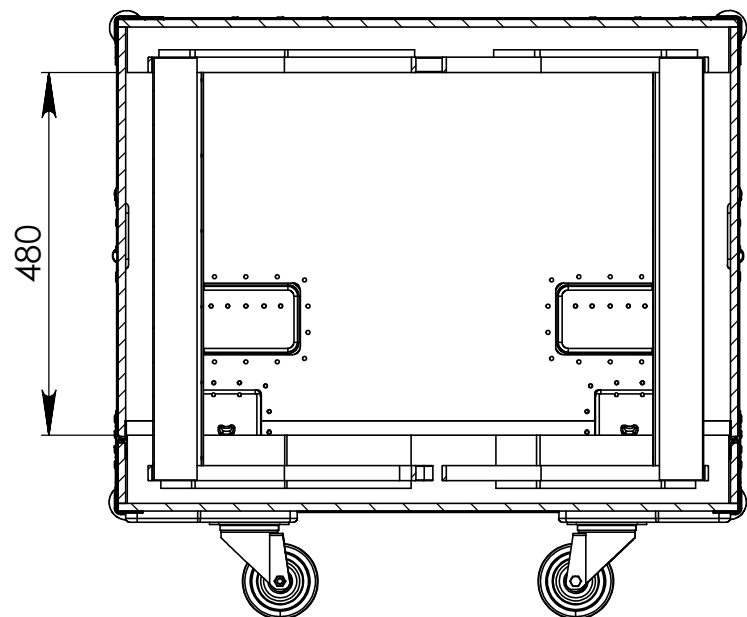
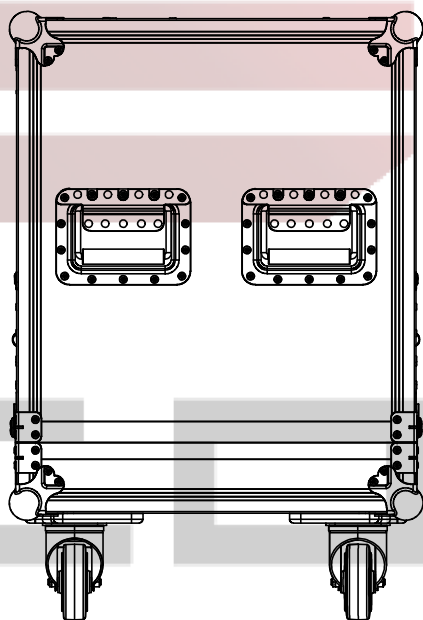
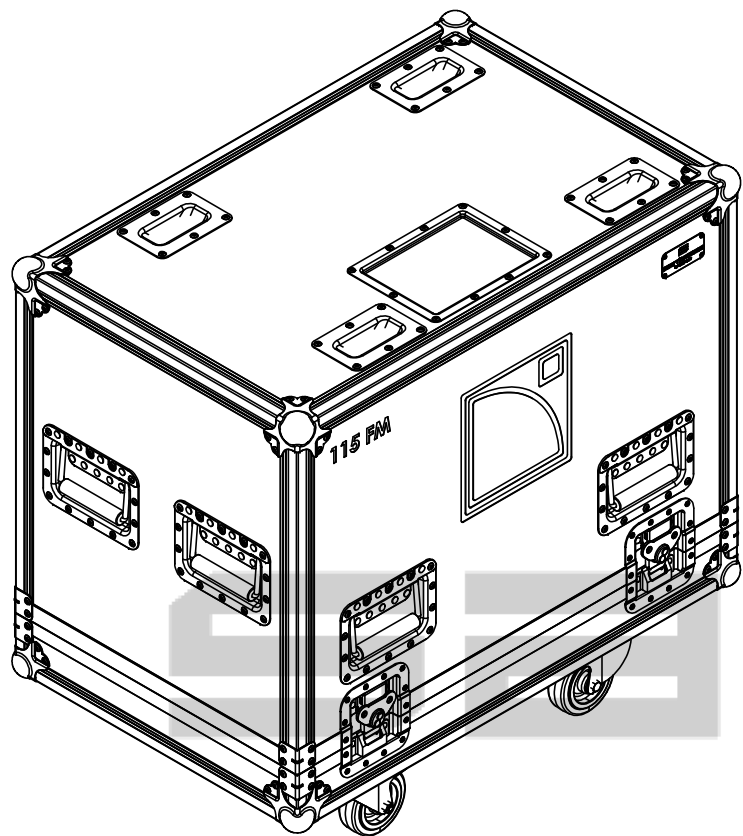
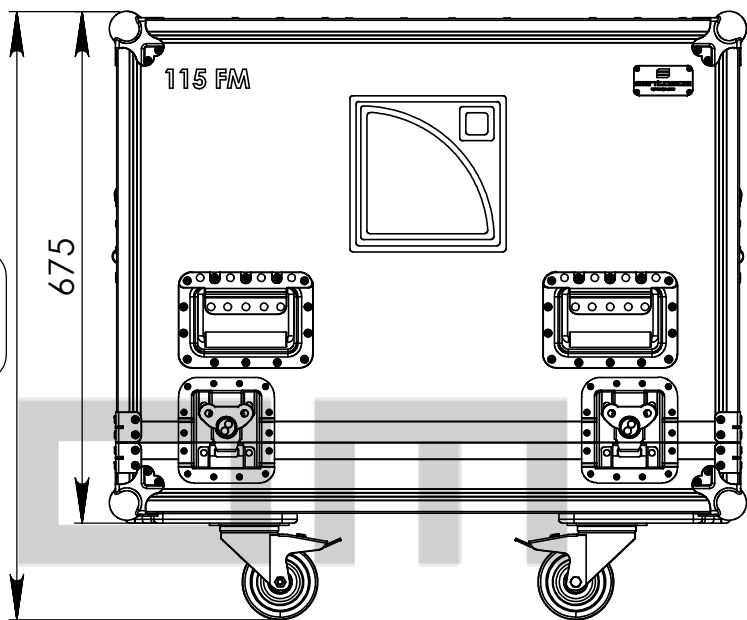


Interior dimensions		
Width	Depth	Height
796	500	480
Weight	Approx. 32 Kg	
Wall Thickness	10mm	



SECTION A-A



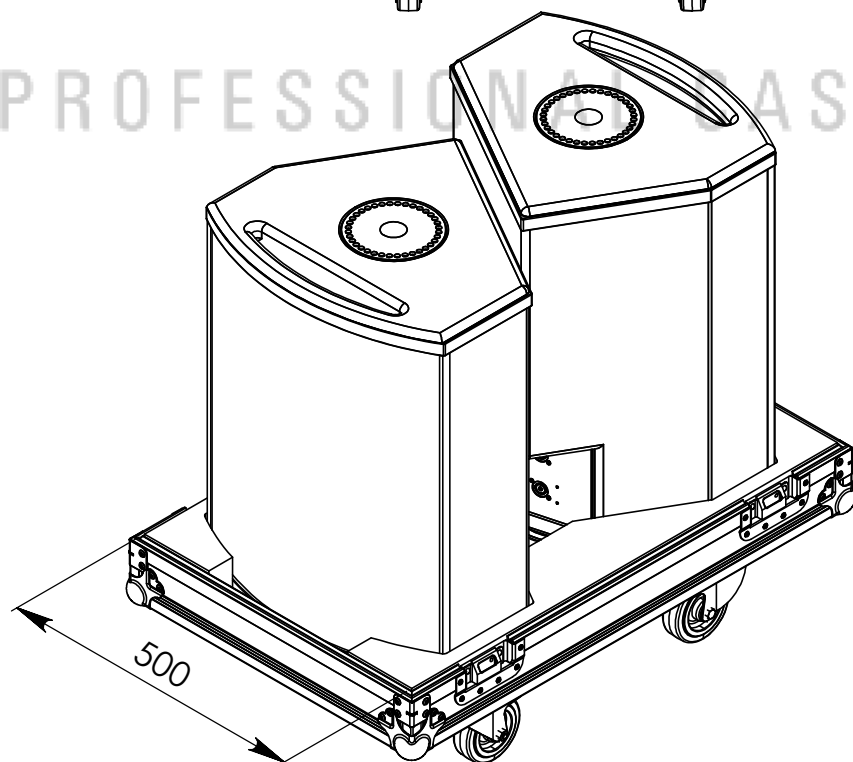
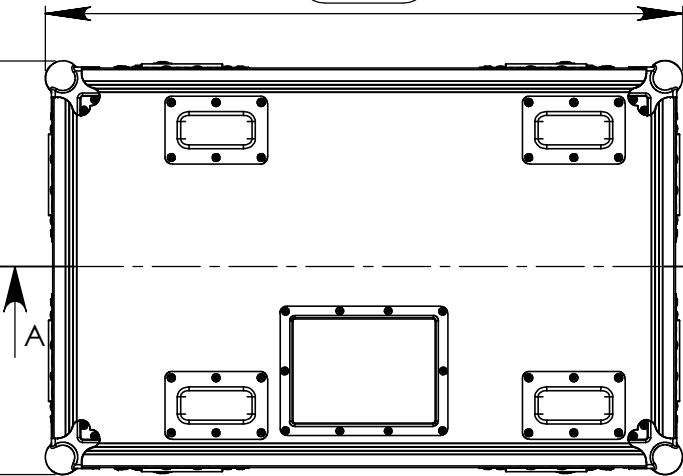
805

675

115 FM

845

545



500

Hardware	
Qty	Description
8	Large corner bracket f. 35mm case angle
8	Heavy Duty Ball Corner
4	Castor dish deep zinc plated
8	Large, heavy duty, recessed sprung handle
1	Dish for 88001 Tour Label
4	Large butterfly V3 with 'push-back' function in 14mm dish
2	Swivel castor Ø100 mm with brake
2	Swivel castor Ø100 mm

This drawing must not be copied or disclosed without consent of the owner



Scale 1:10

units in mm DO NOT SCALE

general tolerance 0.8mm

FC, L - Acoustics 2x115FM

Drawn by	Name	Date
DanielLopes	DanielLopes	15-10-2012
Reference	MONITOR.202	

