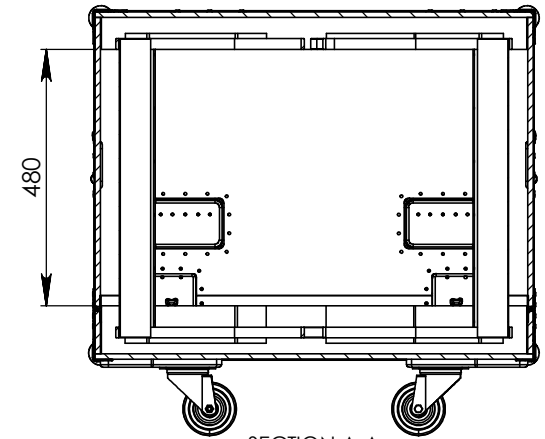
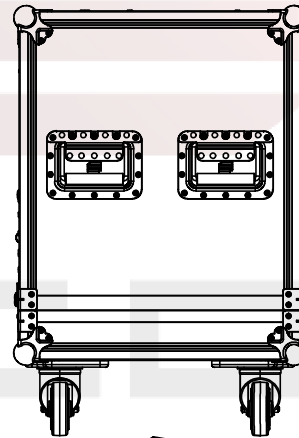
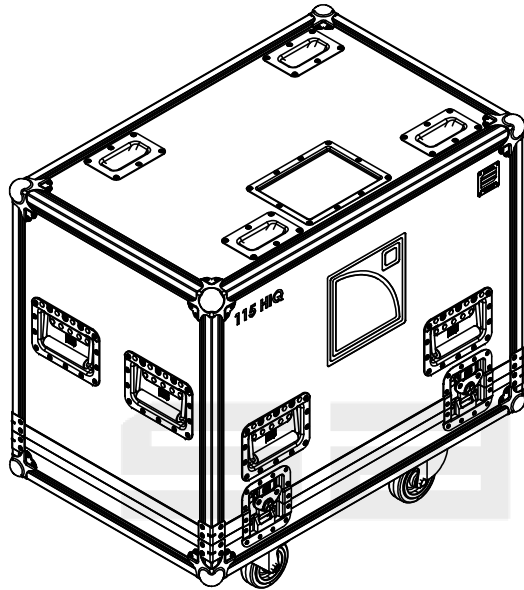
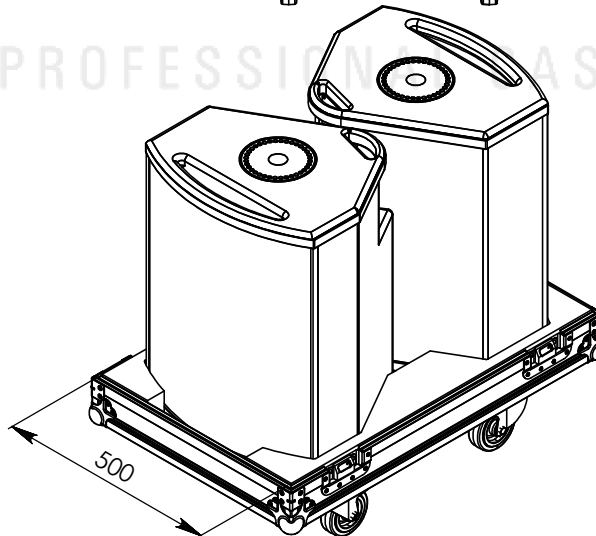
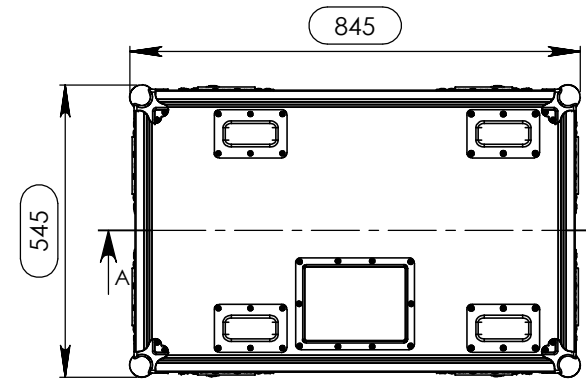
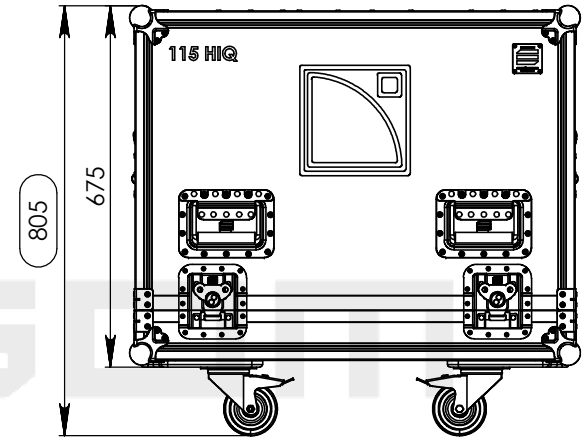


Interior dimensions

Width	Depth	Height
796	500	480
Weight	Approx. 33 Kg	
Wall Thickness		10mm



SECTION A-A



Hardware

Qty	Description
8	Large corner bracket f. 35mm case angle
8	Heavy Duty Ball Corner
4	Castor dish deep zinc plated
8	Large, heavy duty, recessed sprung handle
1	Dish for 88001 Tour Label
4	Large butterfly V3 with 'push-back' function
2	Swivel castor Ø100mm with brake
2	Swivel castor Ø100 mm

This drawing must not be copied or disclosed without consent of the owner

Drawn by	Name	Date
telmosantos	telmosantos	29-09-2015
Reference	MONITOR.201	
Scale	1:10	UNITS IN mm
1st Angle projection	DO NOT SCALE	general tolerance 0.8mm
FC, L - Acoustics 2x115XT HIQ		

