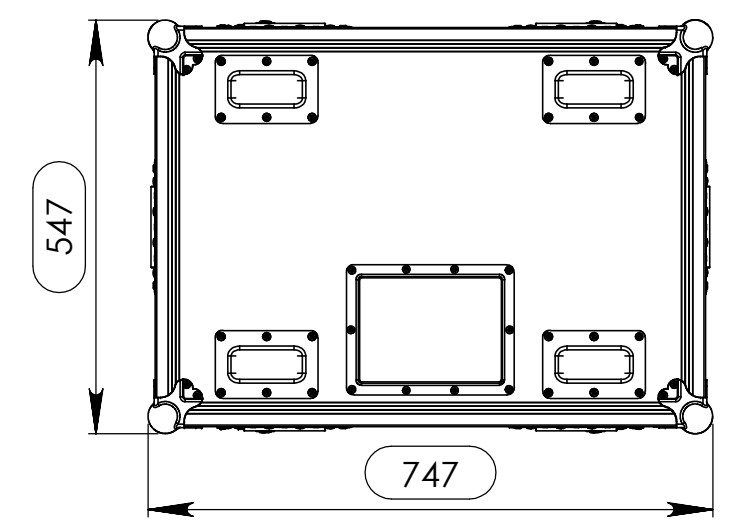
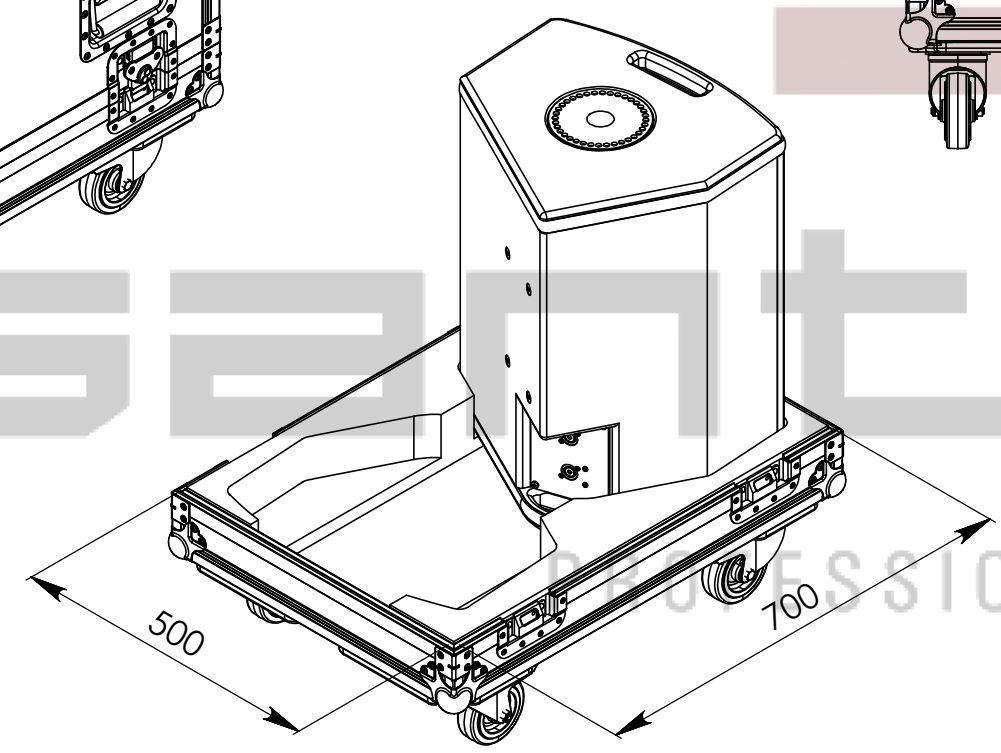
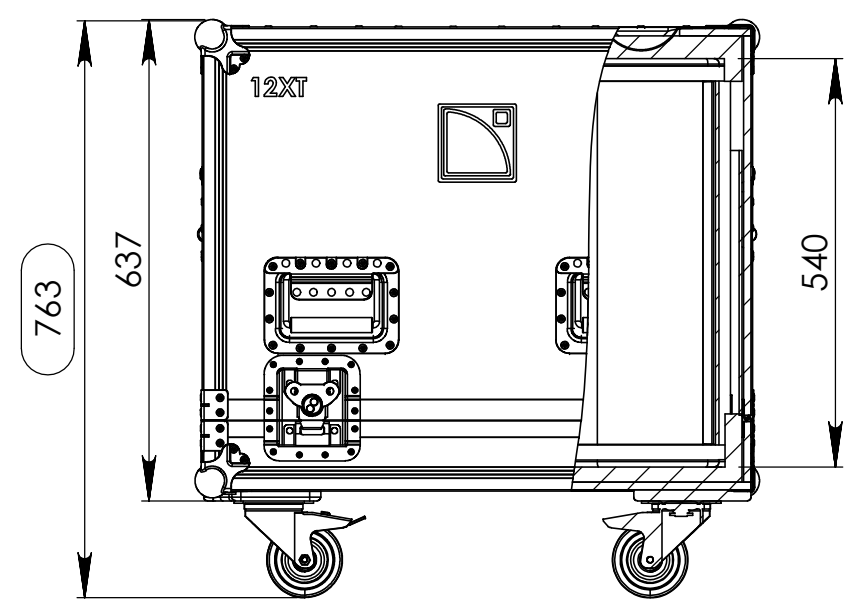
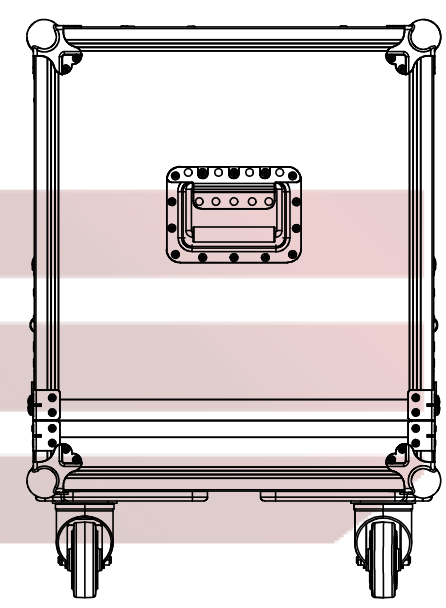
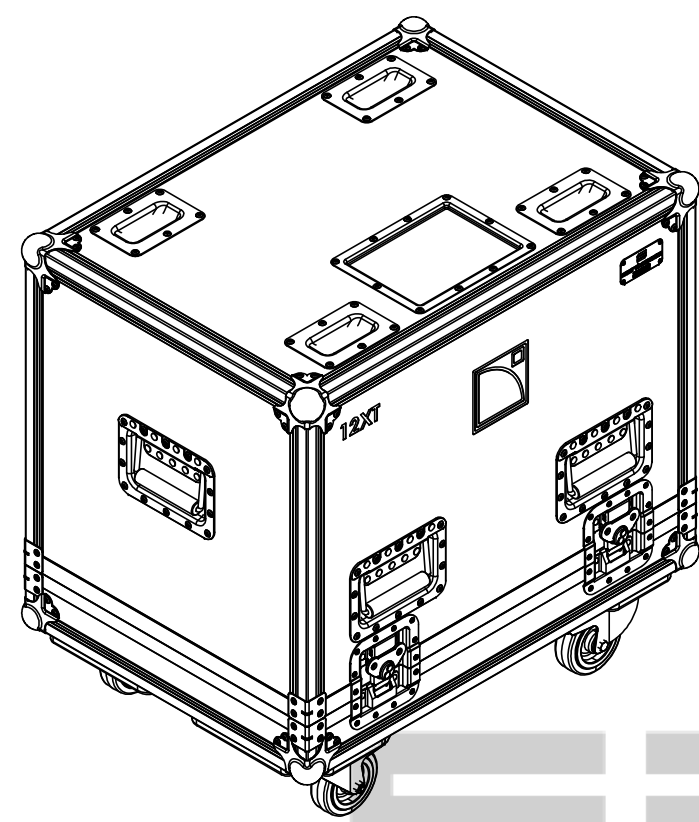


Interior dimensions		
Width	Depth	Height
700	500	540
Weight	Approx. 34 Kg	
Wall Thickness		10mm

REVISIONS				
ZONE	REV.	DESCRIPTION	DATE	APPROVED
-	-	Final Drawing	31/05/2011	Telmo Santos
-	1	Updated Drawing	07/11/2013	Daniel Lopes



Hardware		
Qty	Ref.	Description
8	40403	Large corner bracket f. 35mm case angle
8	410429	Heavy Duty Ball Corner
4	38083	Castor dish deep zinc plated
6	34085	Large, heavy duty, recessed sprung handle
1	88001D	Dish for 88001 Tour Label
4	172531	Large butterfly V3 with 'push-back' function in 14mm dish
2	RODA.100T	Swivel castor Ø100mm with brake
2	RODA.100	Swivel castor Ø100 mm

This drawing must not be copied or disclosed without consent of the owner

Drawn by	DanielLopes	Date	07-11-2013
Reference	MONITOR.200		
Scale	1:10	units in mm	general tolerance 0.5mm
1st Angle projection	FC. 2 L'ACOUSTICS 12 XT, RODAS		

