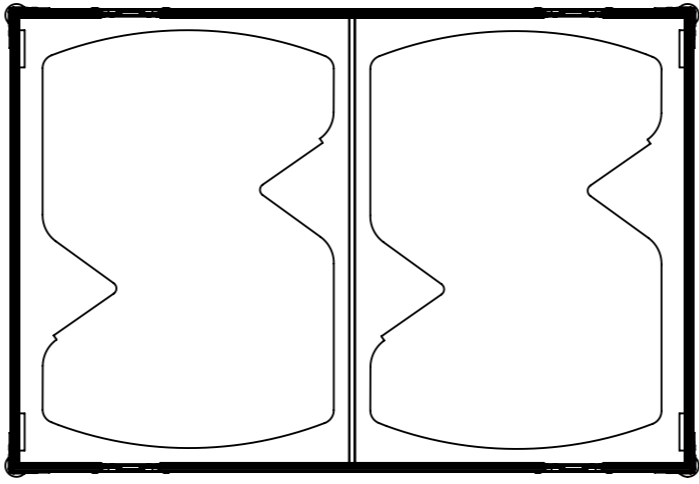
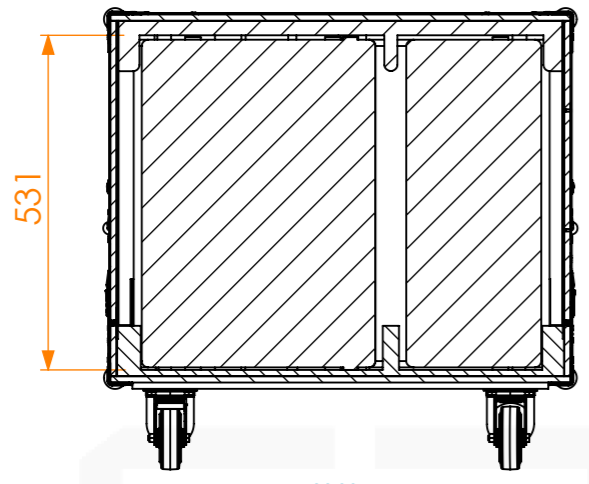


Equipment			TECNARE V14CX		
Width	Depth	Height			
522	357	530			
Internal Dimensions					
Width	Depth	Height			
1056	706	556			
Weight	Approx. 42.96 Kg				
Wall Thickness					10mm

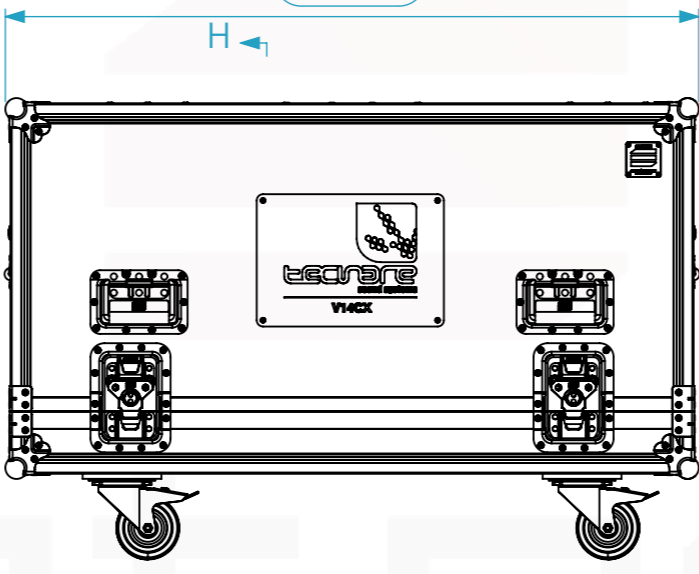


1100



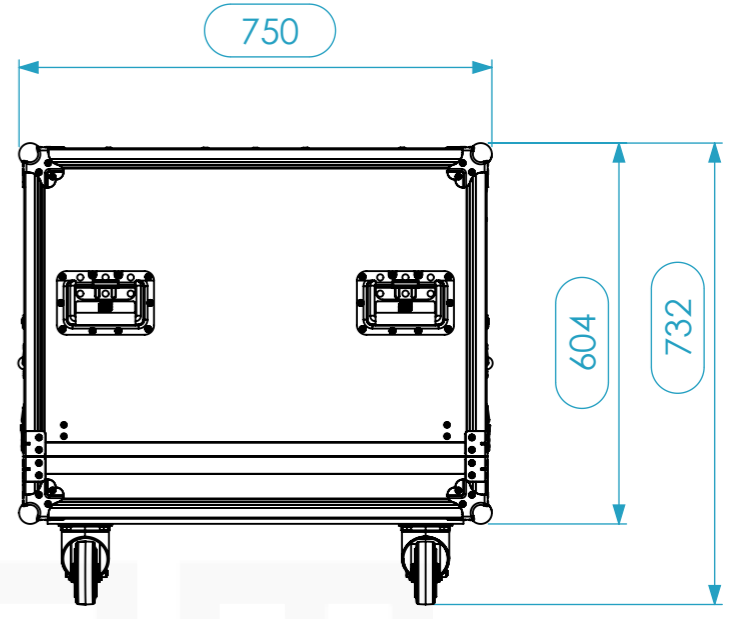
531

H-H



H

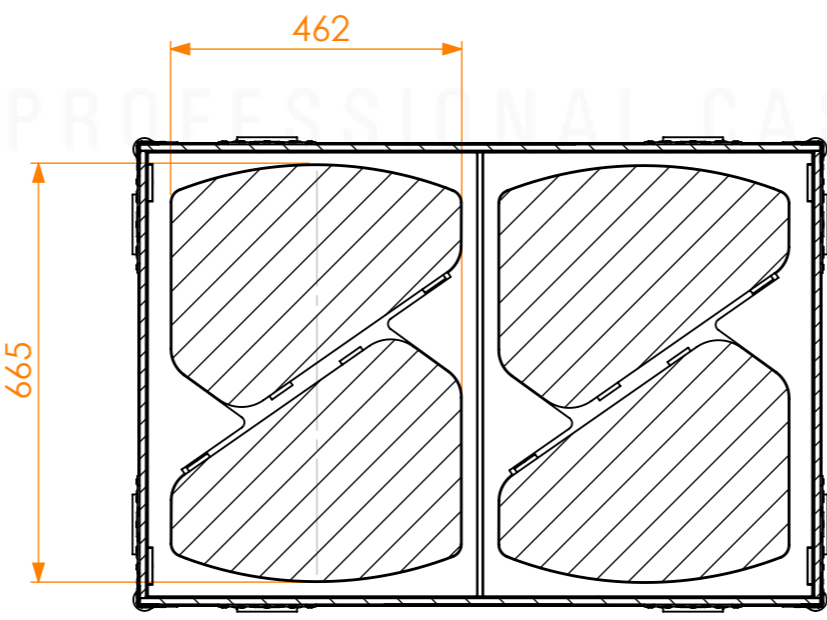
H



750

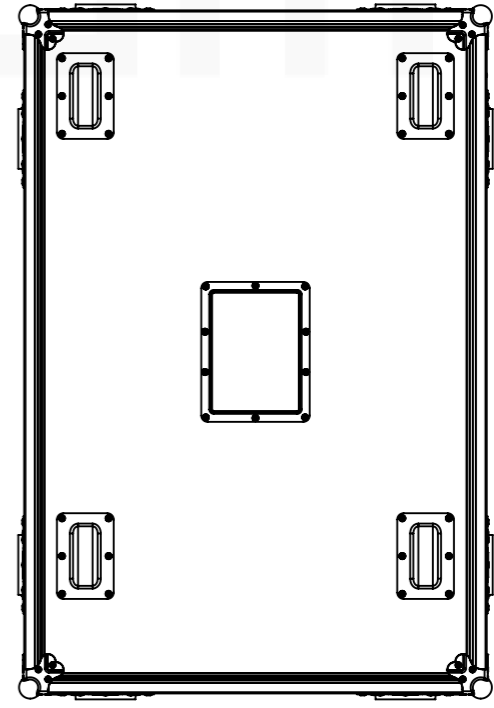
604

732



462

665



General External Dimensions		Usable Inner Dimensions (UID)	
W	Width	Wi	Inside Width
D	Depth	Di	Inside Depth
H	Height	Hi	Inside Height

A3

This drawing must not be copied or disclosed without consent of the owner



Scale 1:12

units in mm
DO NOT SCALE
general tolerance 0.8mm

Drawn by	Name	Date
CarlaSilva	CarlaSilva	03/09/2020

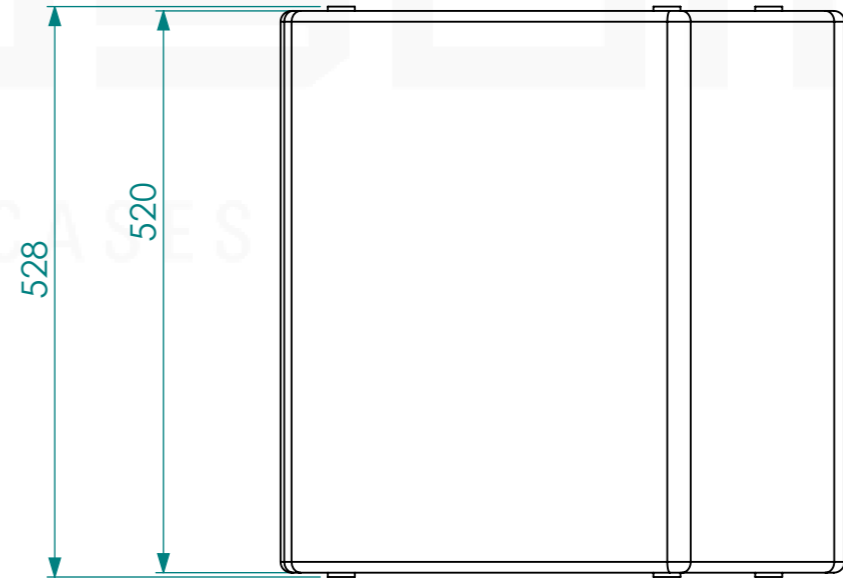
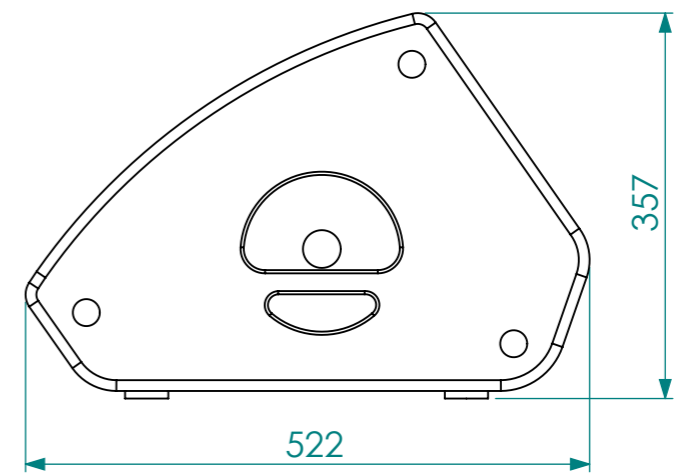
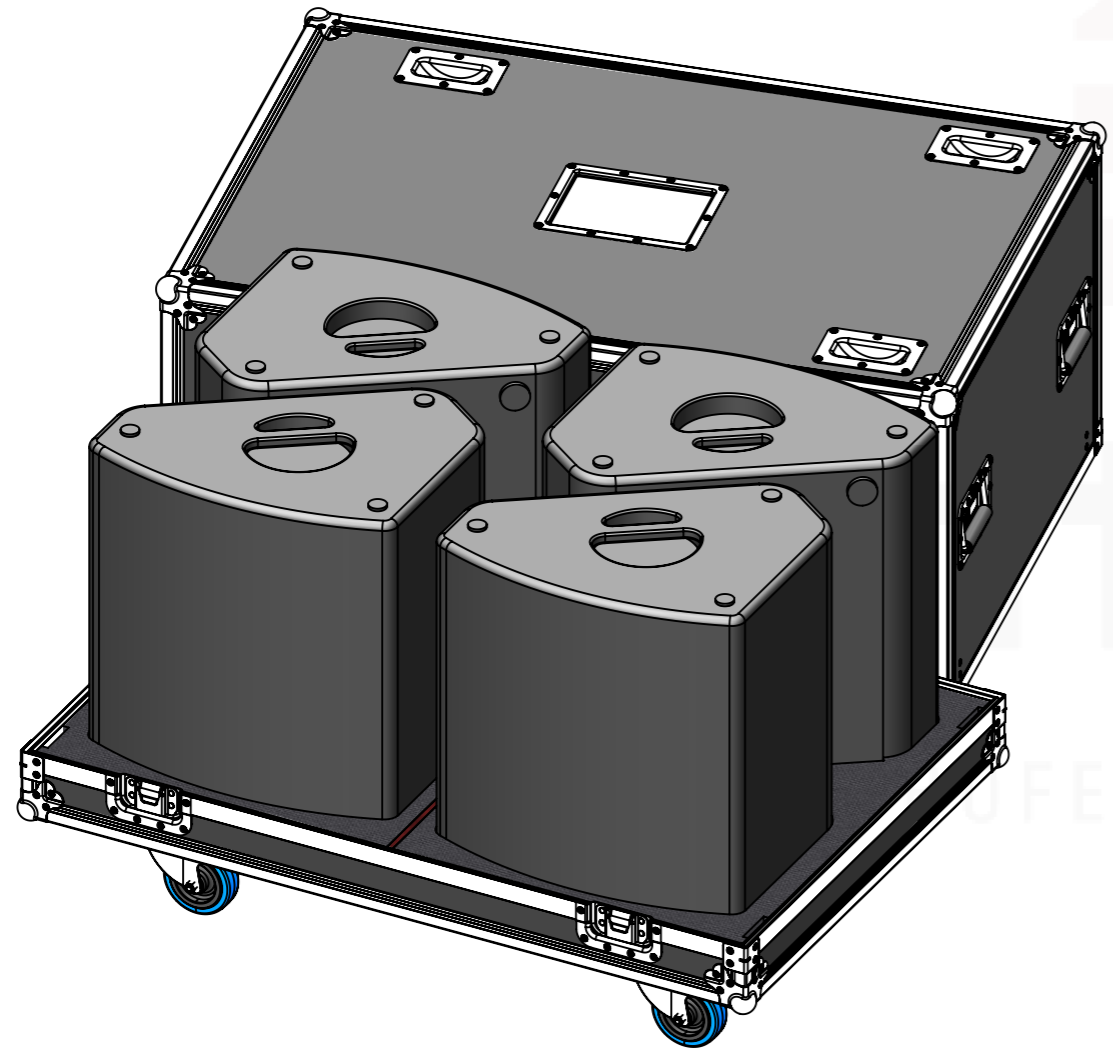
Reference MONITOR.159

Flight Case PRO, 4x TECNARE V14CX



TECNARE V14CX

Weight.: 18 Kg



Drawn by	Name	Date
CarlaSilva	CarlaSilva	03/09/2020
Reference	MONITOR.159	
Scale	units in mm	general tolerance
1:7	DO NOT SCALE	0.8mm
Flight Case PRO, 4x TECNARE V14CX		



This drawing must not be copied or disclosed without consent of the owner



A3