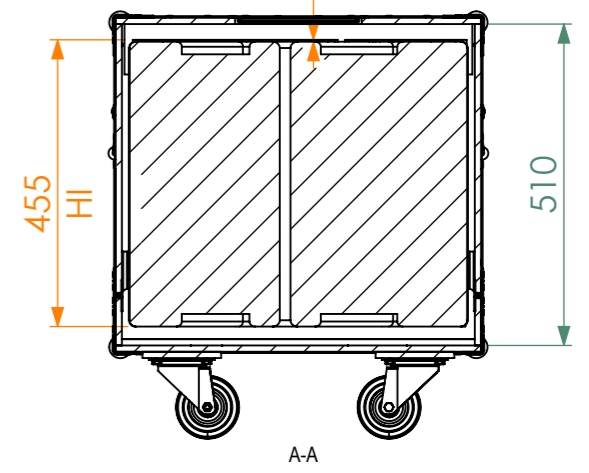
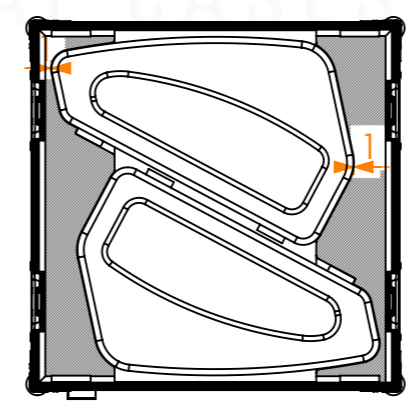
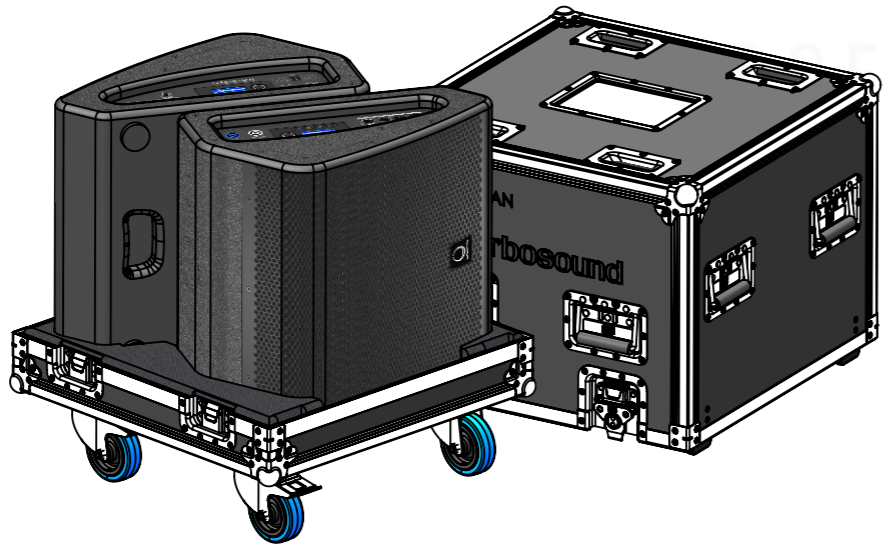
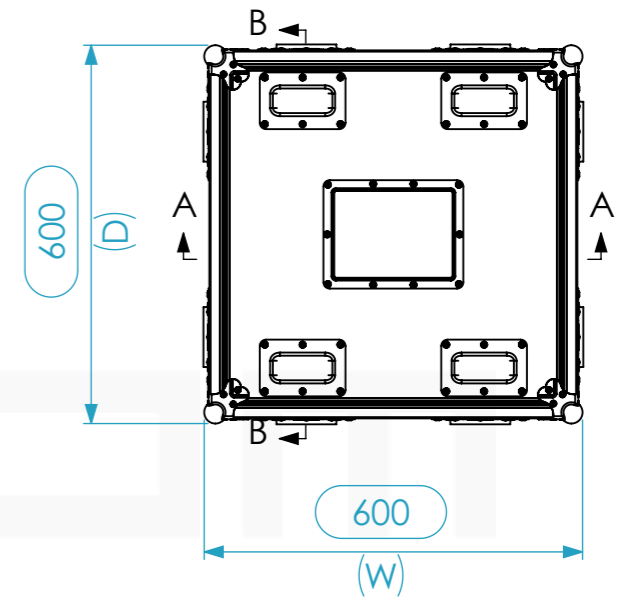
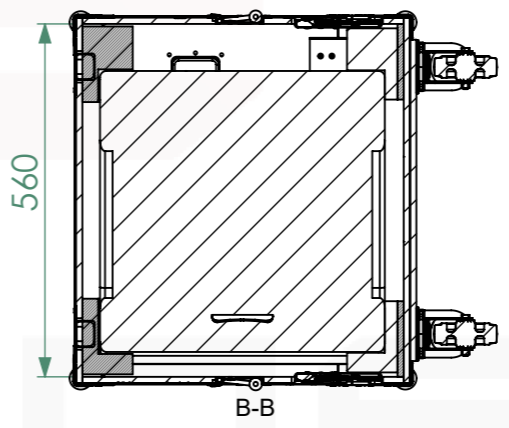
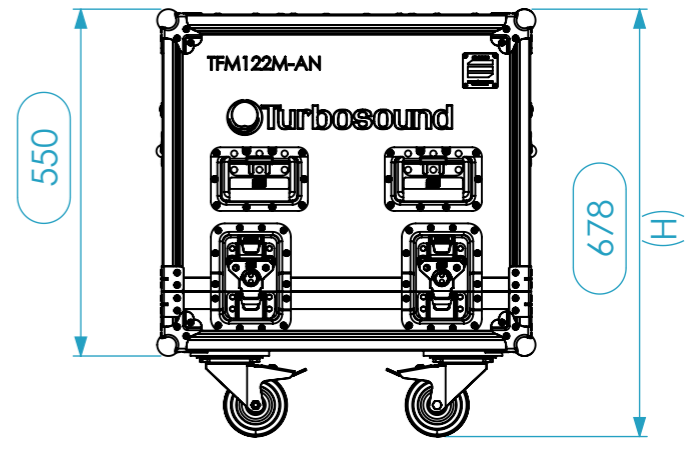
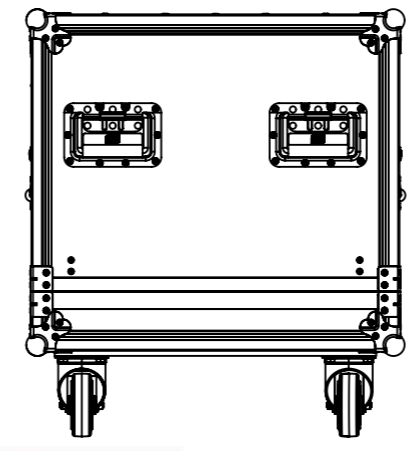
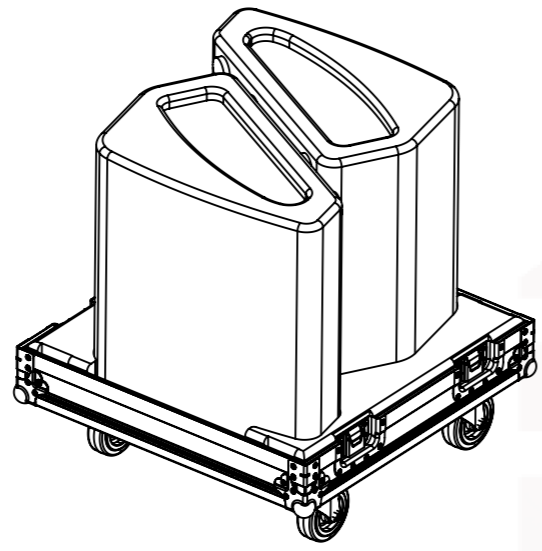
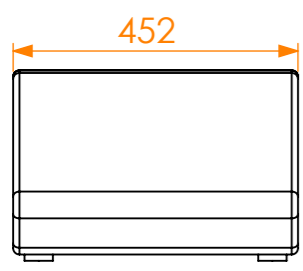
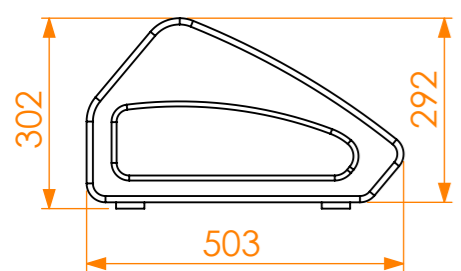


Internal Dimensions		
Width	Depth	Height
556	556	506
Weight	Approx. 28 Kg	
Wall Thickness	10mm	

TURBOSOUND TFM122M-AN



General External Dimensions		Usable Inner Dimensions (UID)		Wood Inner Dimensions (WID)	
W	Width	Wi	Inside Width	WWi	Wood Inside Width
D	Depth	Di	Inside Depth	WDi	Wood Inside Depth
H	Height	Hi	Inside Height	WHi	Wood Inside Height

This drawing must not be copied or disclosed without consent of the owner

Name	Date
projects	13/02/2020
Reference	MONITOR.715
Scale	1:12
units in mm	general tolerance 0.8mm
DO NOT SCALE	
1st Angle projection	FLIGHT CASE PRO. 2X MARTIN AUDIO XE300



A3