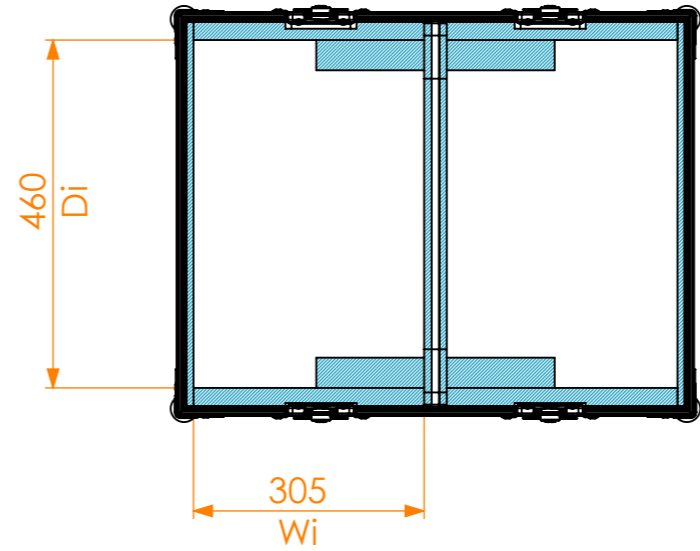
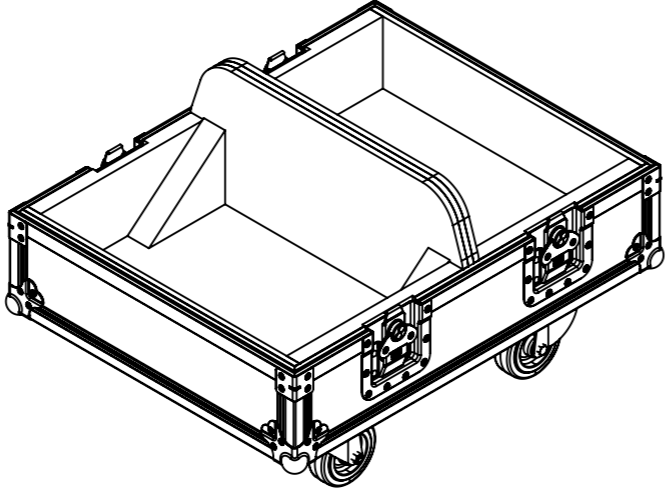
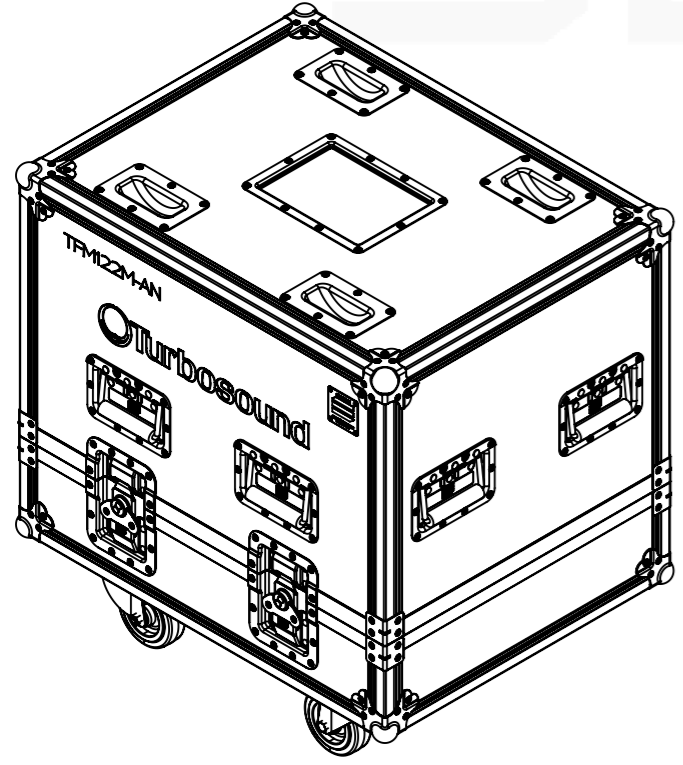
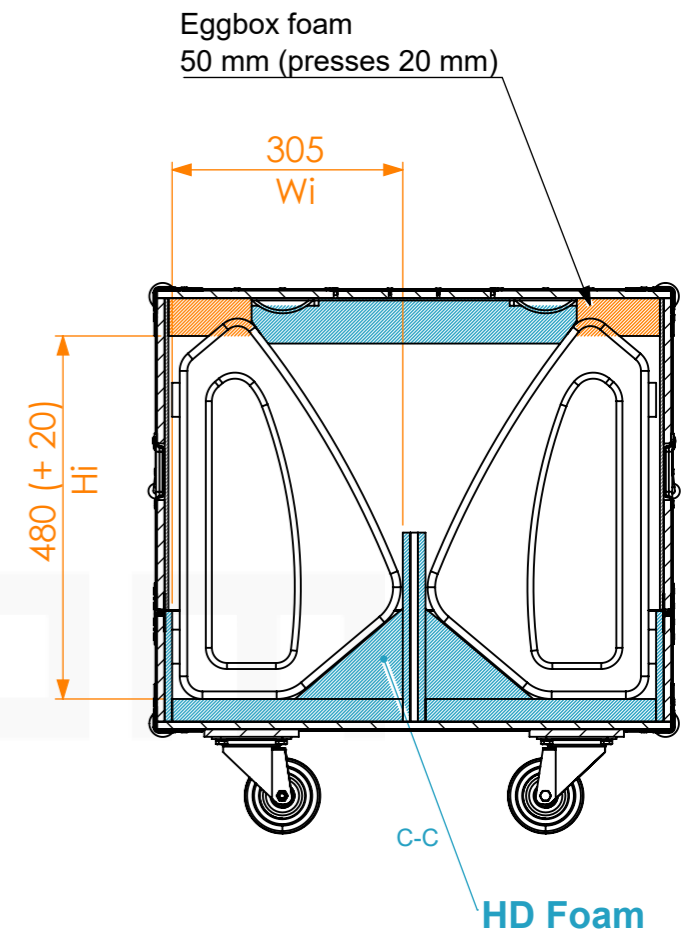
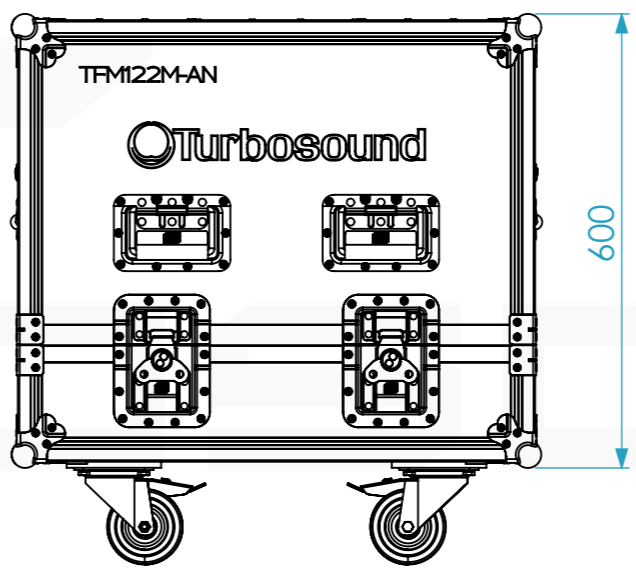
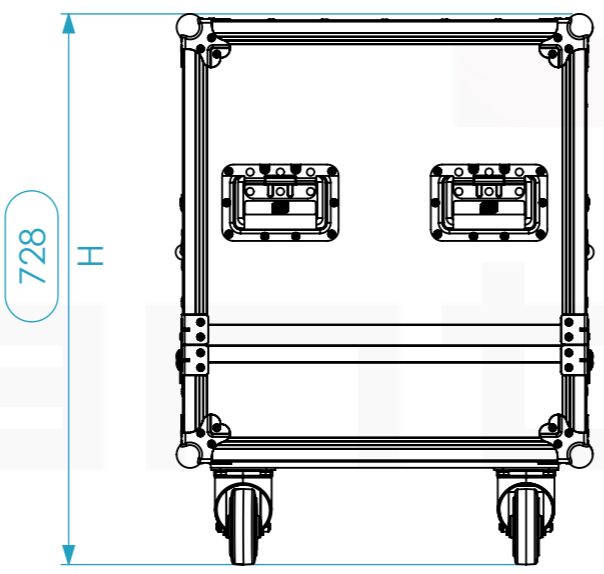
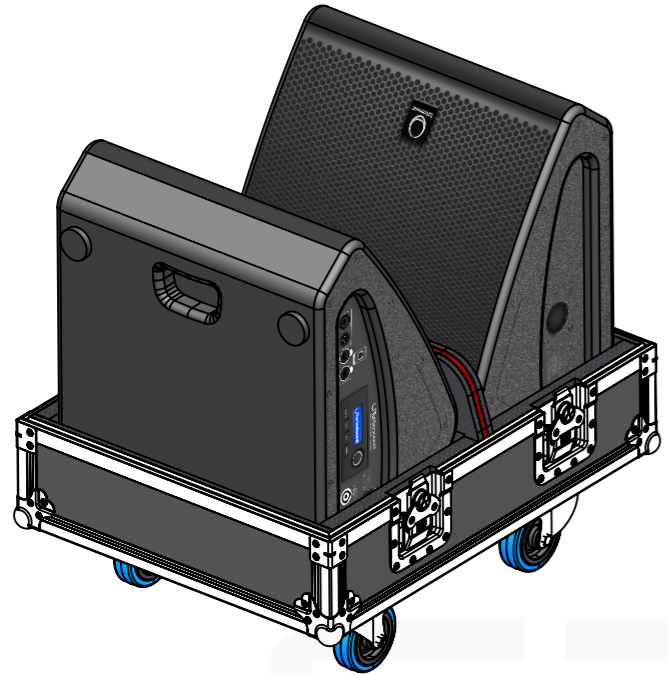
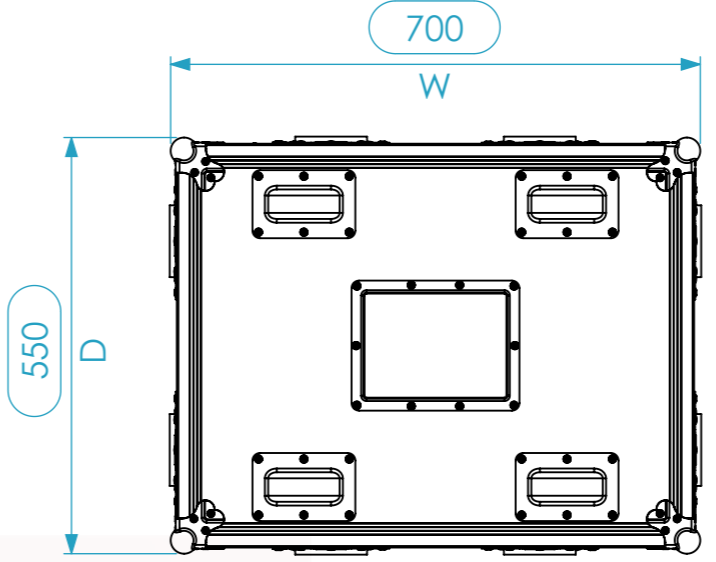


| | | |
|----------------------------|-----------------------|---------------|
| Equipment | TURBOSOUND TFM122M-AN | |
| Width | Depth | Height |
| 504 | 452 | 302 |
| Internal Dimensions | | |
| Width | Depth | Height |
| 305 | 460 | 480 |
| Weight | Approx. 28.16 Kg | |
| Wall Thickness | 10mm | |



| General External Dimensions | |
|-----------------------------|---------------|
| W | Width |
| D | Depth |
| H | Height |
| Usable Inner Dimensions | |
| Wi | Inside Width |
| Di | Inside Depth |
| Hi | Inside Height |

| | | | |
|---|-------------|--------------------------|--------------|
| Name | projects | Date | 28/01/2020 |
| Drawn by | | | |
| Reference | MONITOR.120 | | |
| Scale | 1:10 | units in mm | DO NOT SCALE |
| | | general tolerance | 0.8mm |
| 1st Angle projection | | | |
| Flight Case 2x TURBOSOUND TFM122M-AN | | | |



This drawing must not be copied or disclosed without consent of the owner

A3