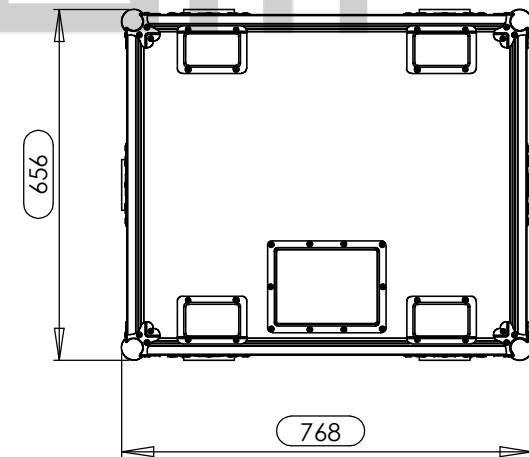
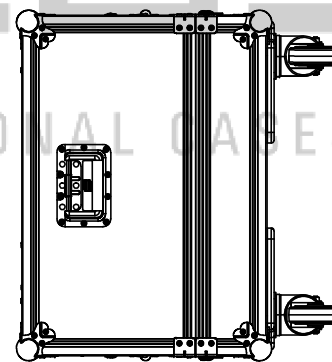
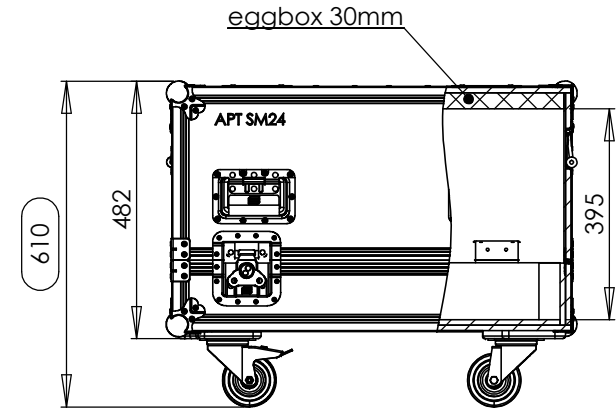
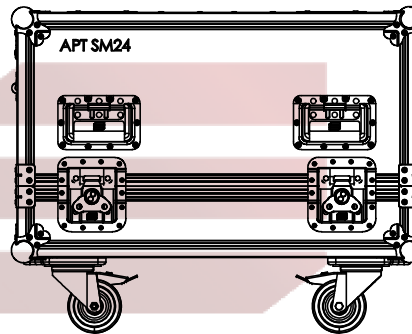
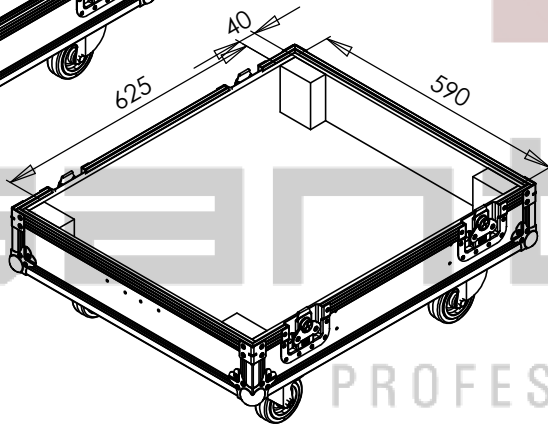
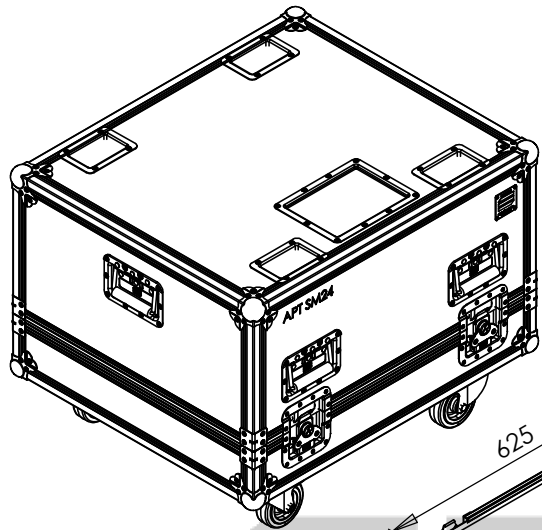


Interior dimensions

Width	Depth	Height
625	590	395
Weight	Approx. 30 Kg	
Wall Thickness		10mm

REVISIONS

ZONE	REV.	DESCRIPTION	DATE	APPROVED
-	-	Final Drawing	21/04/2016	Carlos Rodrigues



Hardware

Qty	Ref.	Description
8	410429	Ball Corner large three-leg cranked 35 mm 9 holes
8	40403	Large corner bracket f. 35mm case angle
6	34082	Recessed sprung handle medium model
1	88001D	Dish for 88001 Tour Label
2	RODA.100T	Swivel castor Ø100mm with brake
2	RODA.100	Swivel castor Ø100 mm
4	172531	Large butterfly V3 with 'push-back' function
4	38082	Castor dish deep zinc plated

This drawing must not be copied or disclosed without consent of the owner

Drawn by	projects	Date	22/04/2016
Reference	MONITOR.117		
Scale	1:10	general tolerance	0.8mm
FC. APT SM24.AV STAGE WEDGE			

