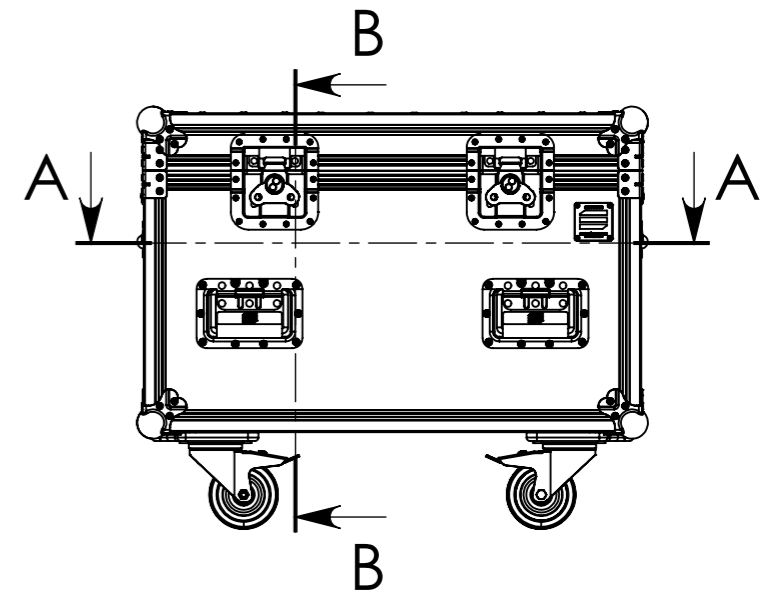
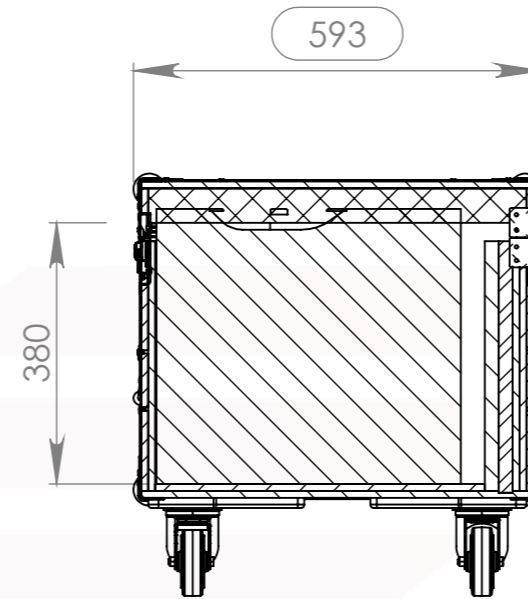
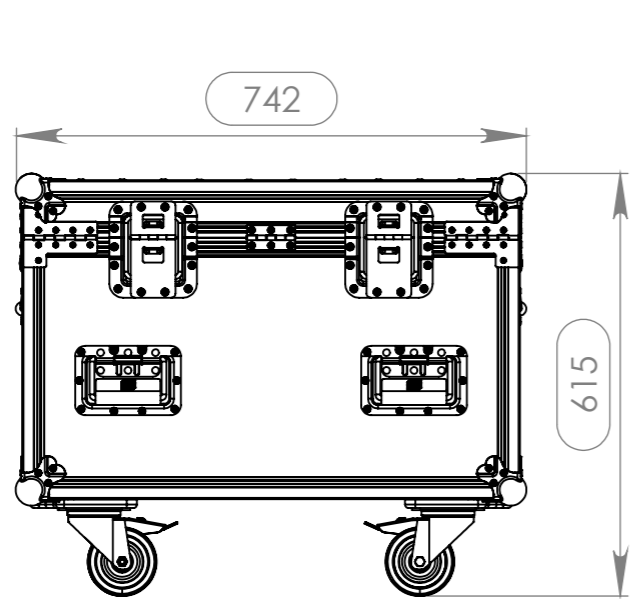
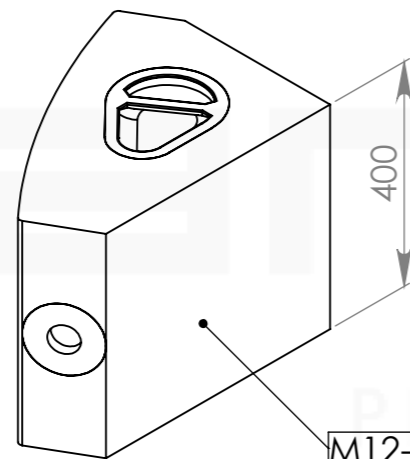
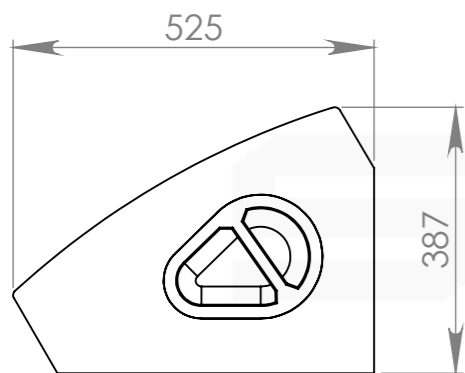


Interior dimensions		
Width	Depth	Height
680	530	380
Weight	Approx. 32 Kg	
Wall Thickness		10mm

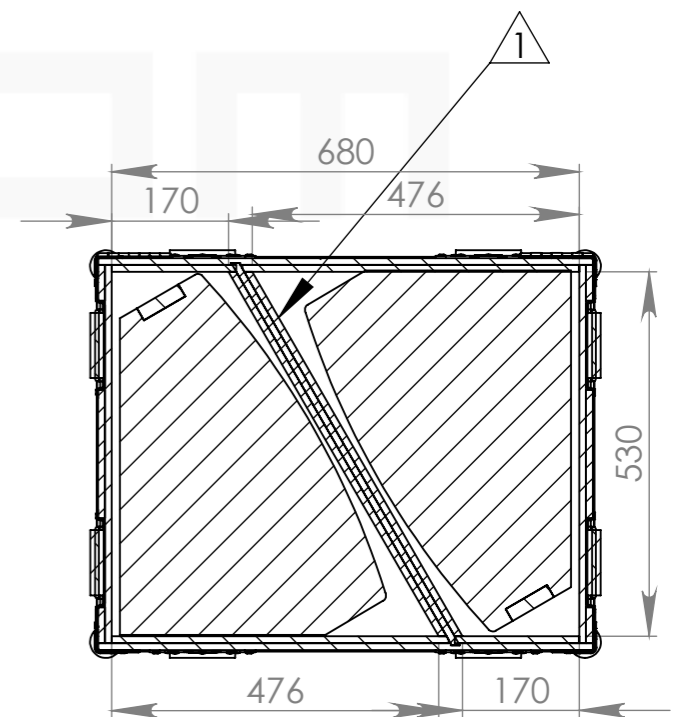
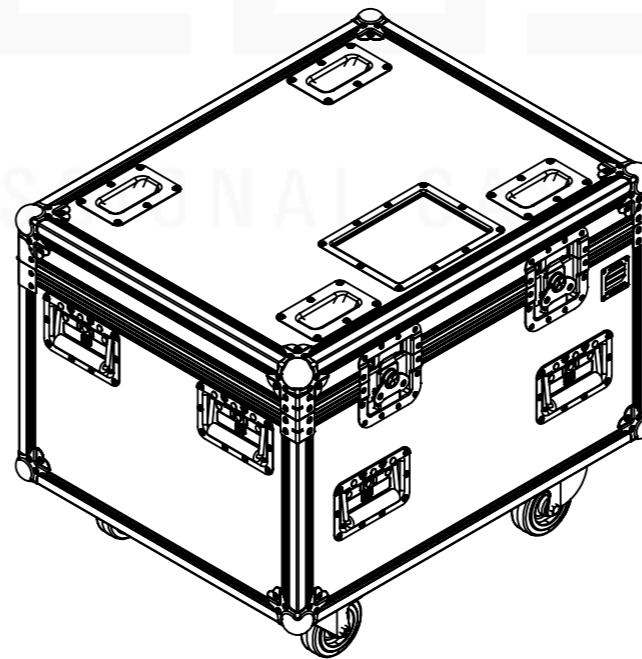
REVISIONS			
REV.	DESCRIPTION	DATE	APPROVED
0	Final Drawing	18/07/2016	Ezequiel Camboa
1	Divider position was inverted for correct placement of the speakers (handle on top)	02/08/2016	Alexandre



SECTION B-B



M12-4 PLUS



SECTION A-A

Hardware		
Qty	Ref.	Description
8	410429	Heavy Duty Ball Corner
4	40403	Large corner bracket f. 35mm case angle
1	88001D	Dish for 88001 Tour Label
2	RODA.100T	Swivel castor Ø100mm with brake
2	RODA.100	Swivel castor Ø100 mm
1	2602	Medium duty butt hinge z./p.
8	34082	Recessed sprung handle medium model
2	172531	Large butterfly V3 with 'push-back' function
2	27073	Short recessed lidstay cranked
4	38083	Castor dish deep zinc plated

This drawing must not be copied or disclosed without consent of the owner

Drawn by	Name	Date
alexandre	alexandre	02/08/2016
Reference	MONITOR.103	
Scale	units in mm	general tolerance
1:11	DO NOT SCALE	0.8mm
FC. 2X DB TECHNOLOGIES M12-4 PLUS		

