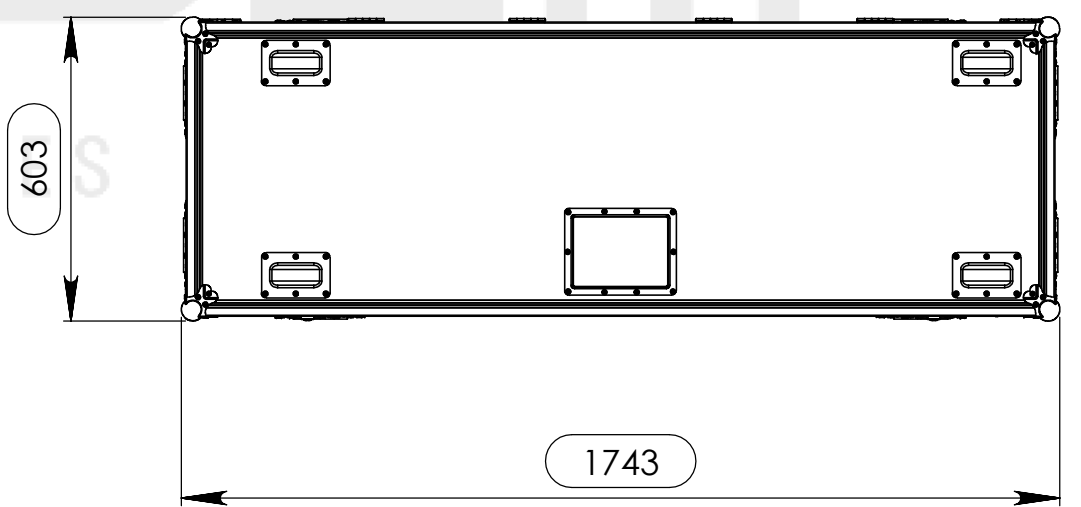
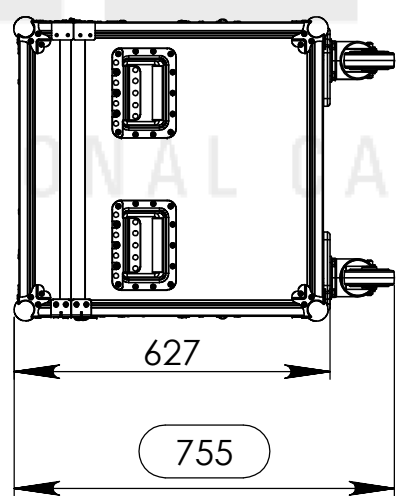
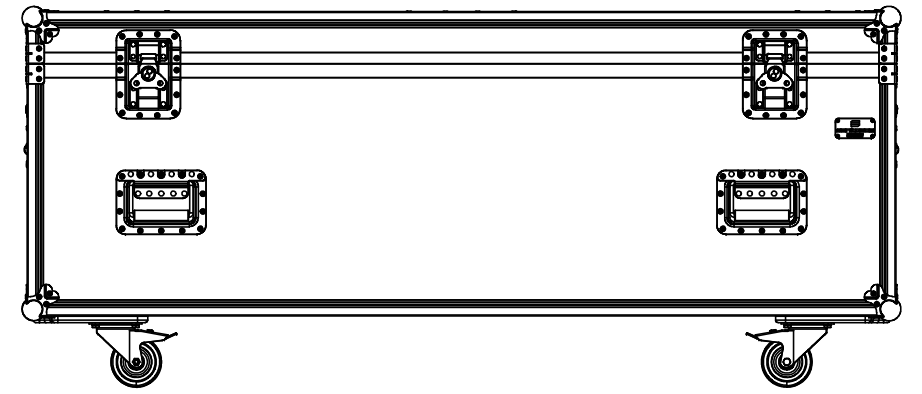
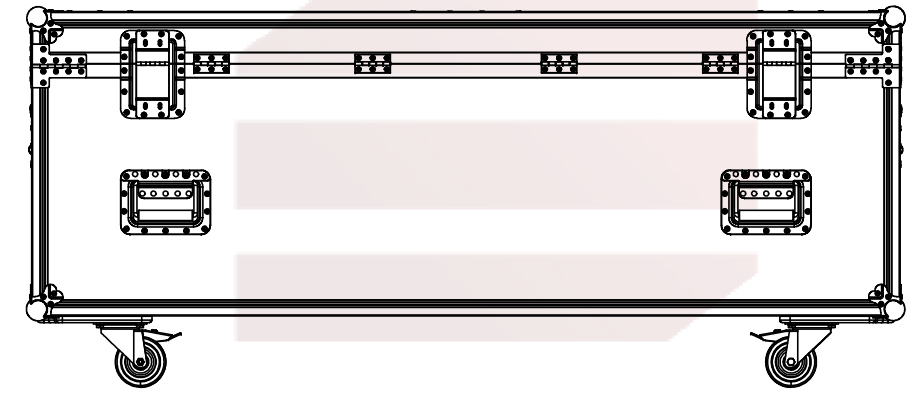
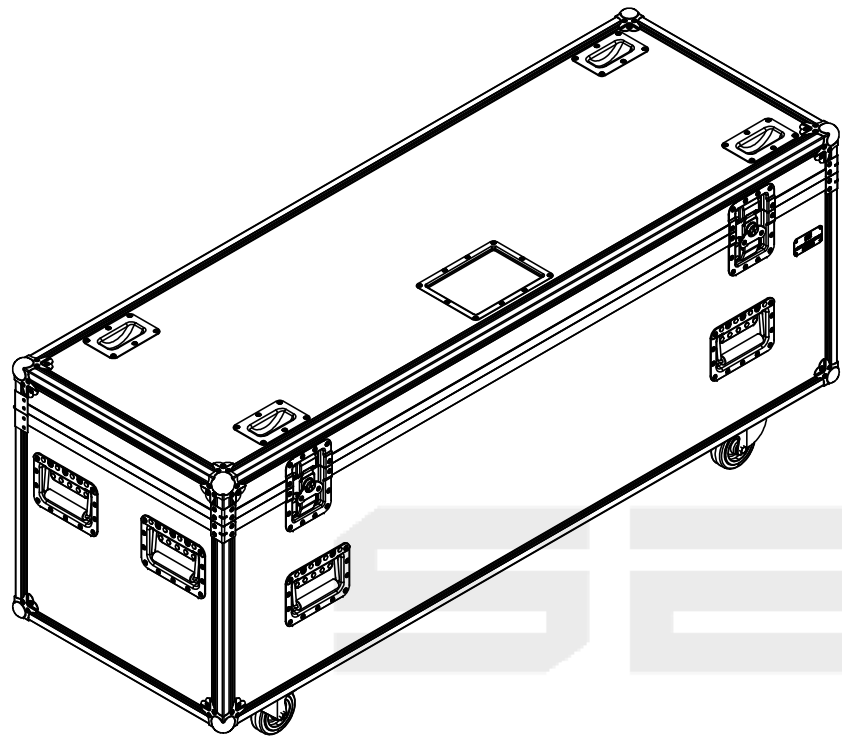


Interior dimensions		
Width	Depth	Height
1696	556	580
Weight	Approx. 53 Kg	
Wall Thickness		10mm

REVISIONS				
ZONE	REV.	DESCRIPTION	DATE	APPROVED
-	-	Final Drawing	11/06/2014	Daniel Lopes



Hardware		
Qty	Ref.	Description
4	40403	Large corner bracket f. 35mm case angle
8	410429	Ball Corner large three-leg cranked 35 mm 9 holes
8	34085	Large, heavy duty, recessed sprung handle
1	88001D	Dish for 88001 Tour Label
1	CHAPA.1000	Identification Plate
2	172511COMP	Large AH butterfly with 'push-back' function in 14mm dish
2	270836	Large lidstay cranked / hinge
2	RODA.100T	Swivel castor Ø100mm with brake
2	RODA.100	Swivel castor Ø100 mm
4	38083	Castor dish deep zinc plated
2	DCR110	110MM hinge shot
4	2602	Medium duty butt hinge z./p.

This drawing must not be copied or disclosed without consent of the owner

Drawn by	Name	Date
DanielLopes	DanielLopes	11-06-2014
Reference	MLX.1700	
Scale	units in mm	general tolerance
1:15	DO NOT SCALE	0.8mm
1st Angle projection	MALÃO PRO TOUR ML1700 RODAS	

