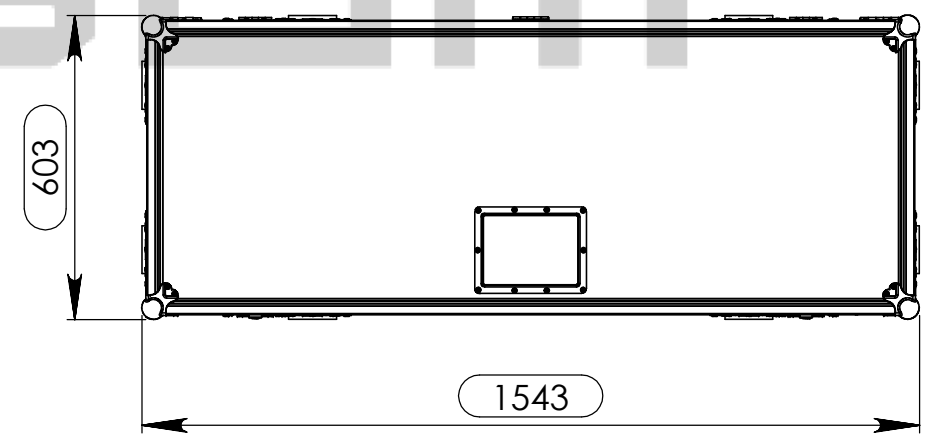
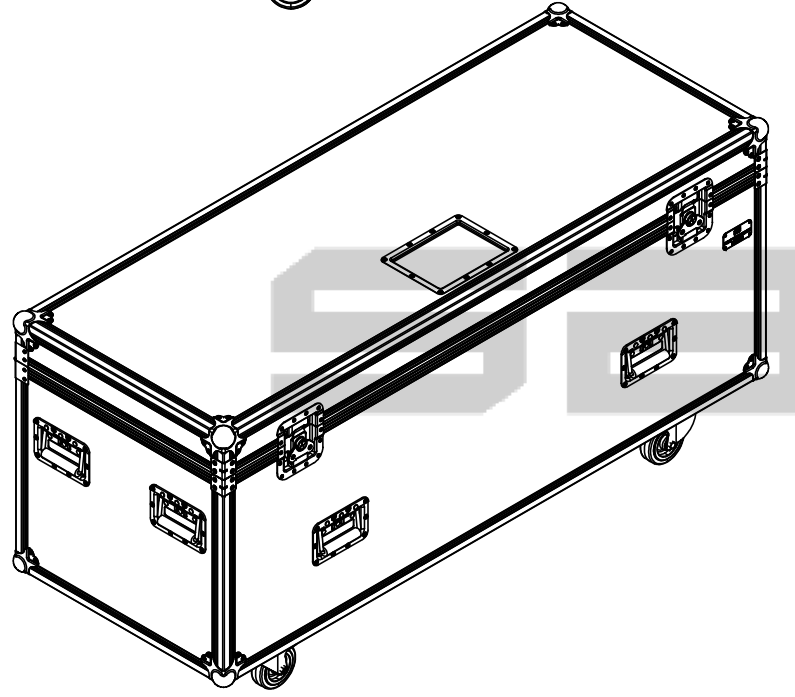
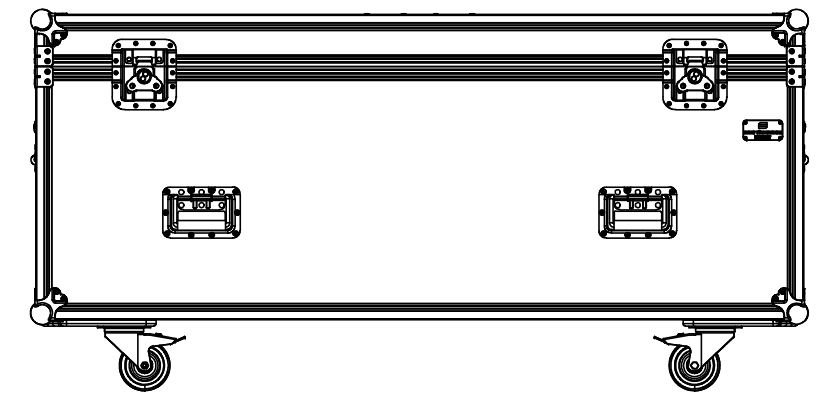
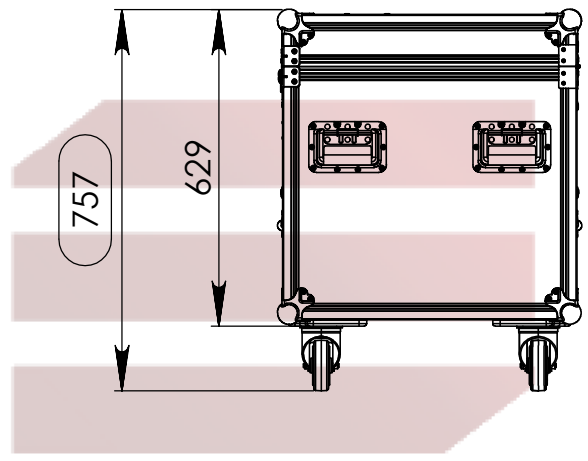
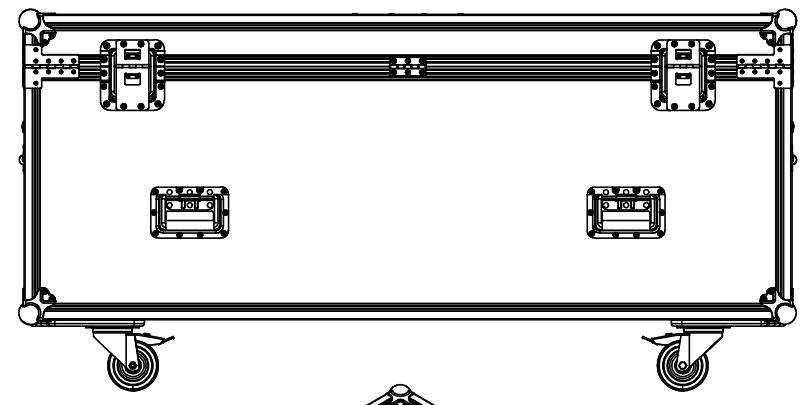



Interior dimensions		
Width	Depth	Height
1500	560	582
Weight	Approx. 44 Kg	
Wall Thickness		10mm

REVISIONS				
ZONE	REV.	DESCRIPTION	DATE	APPROVED
-	1	Final Drawing	27/02/2014	Daniel Lopes



Hardware		
Qty	Ref.	Description
8	410429	Heavy Duty Ball Corner
4	40403	Large corner bracket f. 35mm case angle
1	88001D	Dish for 88001 Tour Label
2	RODA.100T	Swivel castor Ø100mm with brake
2	RODA.100	Swivel castor Ø100 mm
1	2602	Medium duty butt hinge z./p.
8	34082	Recessed sprung handle medium model
2	172531	Large butterfly V3 with 'push-back' function
2	270736	Short recessed lidstay cranked

santosom  
PROFESSIONAL CASES

A3	This drawing must not be copied or disclosed without consent of the owner	1st Angle projection	Scale 1:15	units in mm DO NOT SCALE	general tolerance 0.8mm	 PROFESSIONAL CASES
		Reference	MLS.1500			
		Drawn by	DanielLopes	Date	27-02-2014	
		Malão Standard MLI500 1495x555x580 mm - rodas				