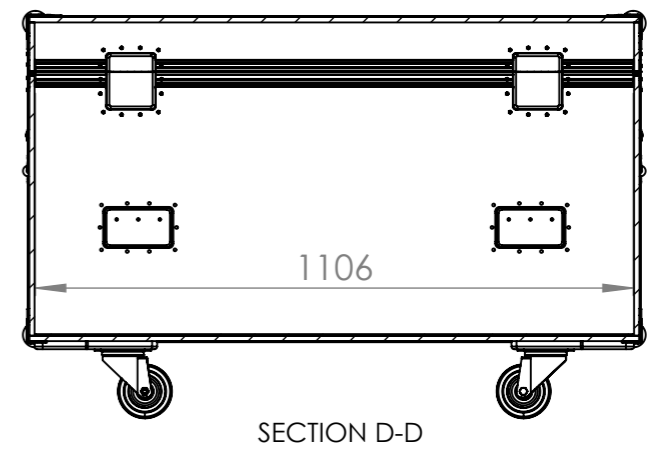
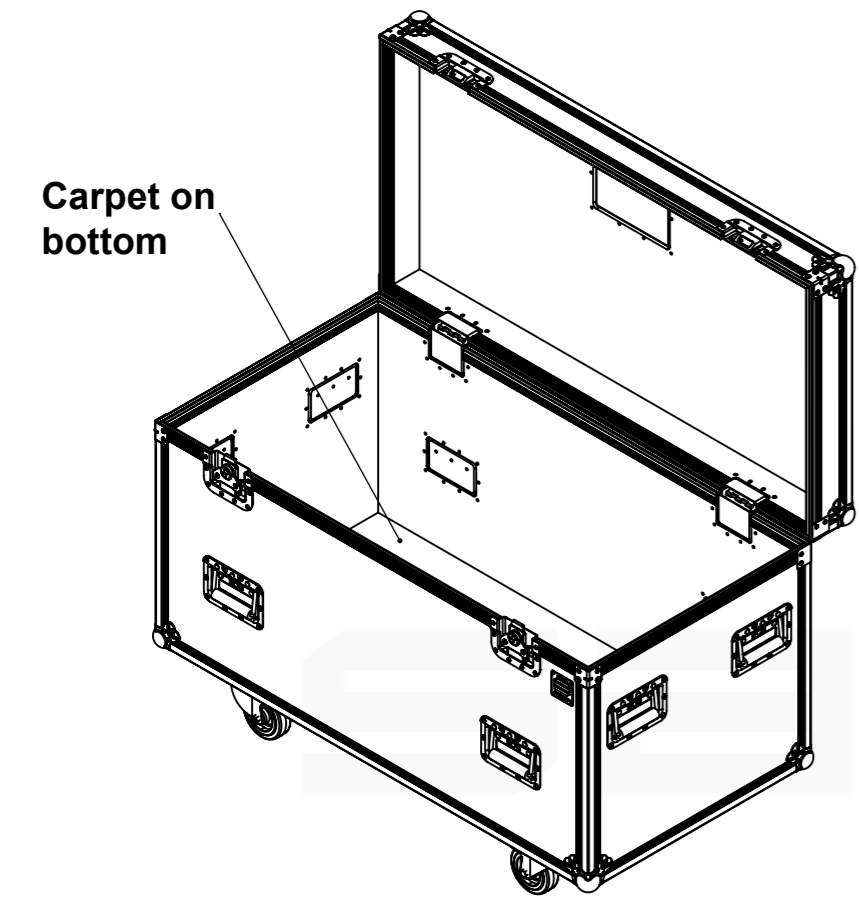
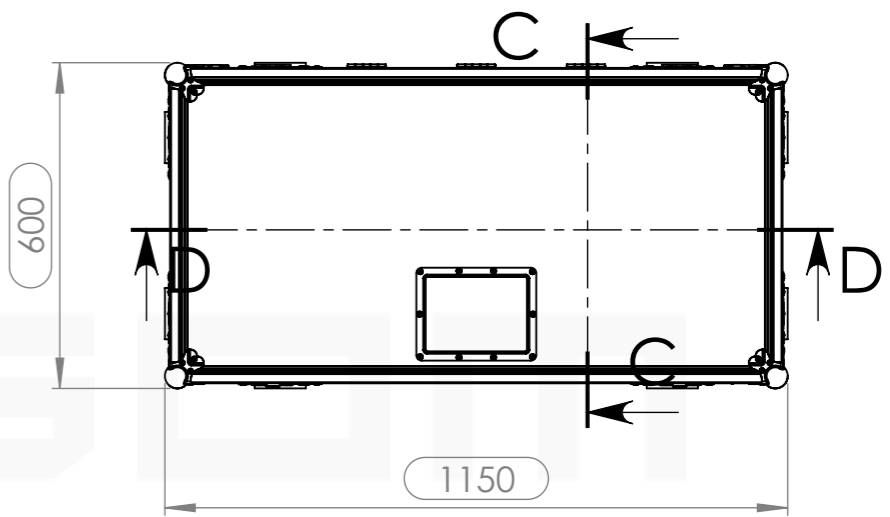
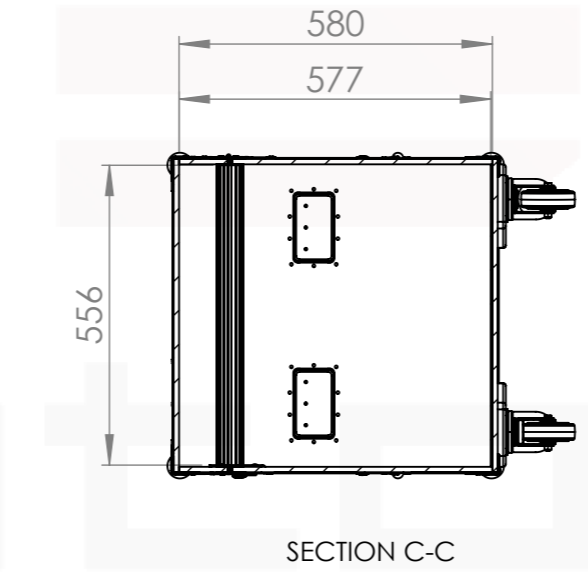
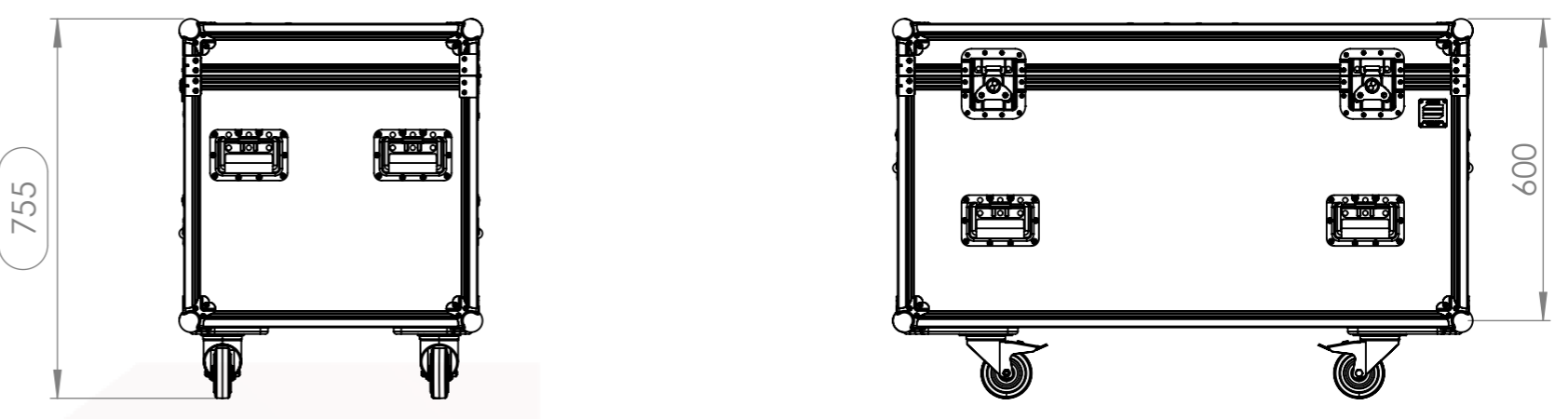


Internal Dimensions		
Width	Depth	Height
1106	556	580
Weight	Approx. 35 Kg	
Wall Thickness	10mm	



Hardware		
Qty	Ref.	Description
8	410429	Heavy Duty Ball Corner
4	40403	Large corner bracket f. 35mm case angle
1	88001D	Dish for 88001 Tour Label
2	RODA.100T	Swivel castor Ø100mm with brake
2	RODA.100	Swivel castor Ø100 mm
3	2602	Medium duty butt hinge z./p.
8	34082	Recessed sprung handle medium model
2	172531	Large butterfly V3 with 'push-back' function
2	270736	Short recessed lidstay cranked

A3	This drawing must not be copied or disclosed without consent of the owner	1st Angle projection	Scale 1:14	units in mm DO NOT SCALE	general tolerance 0.8mm	 santosom PROFESSIONAL CASES
		Reference	MLA.1100	MALÃO MLS-1100, 1095X555X580MM		
Drawn by	alexandre	Date	03/03/2017			