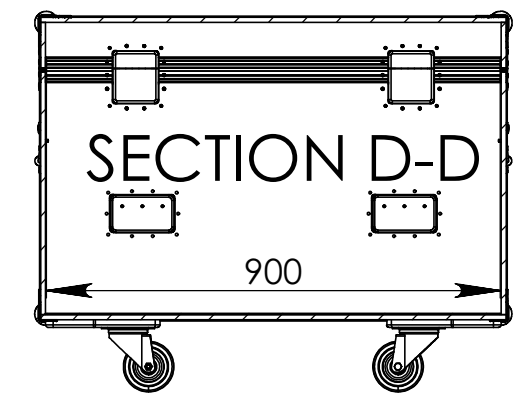
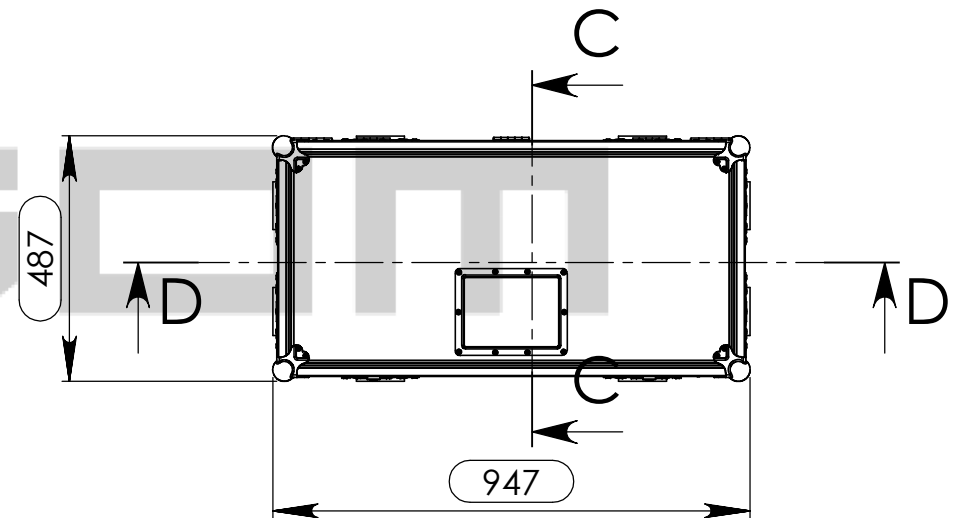
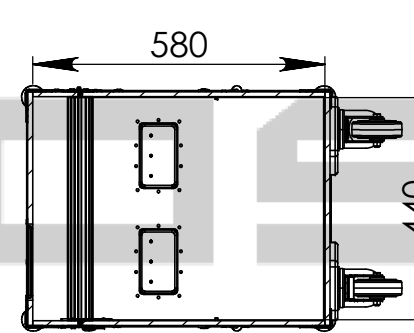
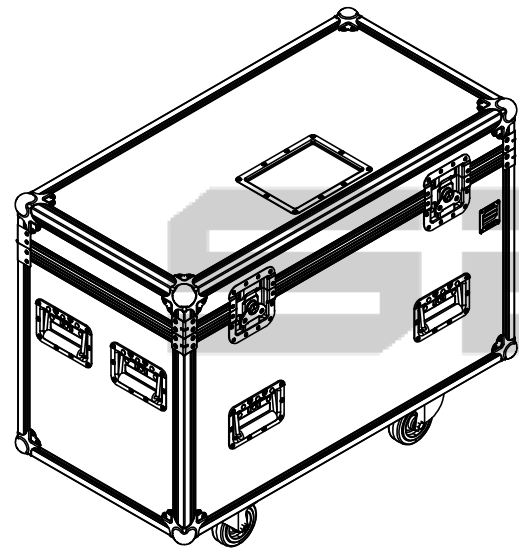
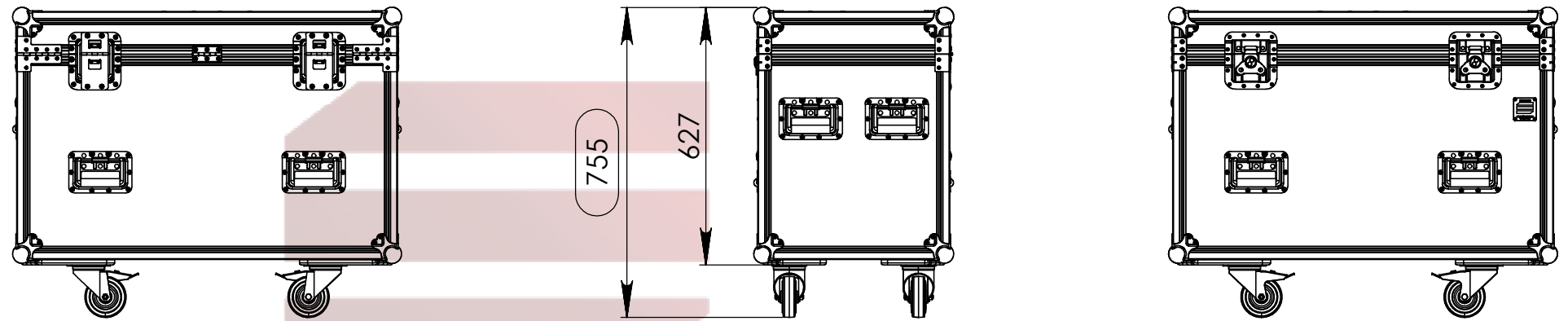


Interior dimensions

Width	Depth	Height
900	440	580
Weight	Approx.22 Kg	
Wall Thickness		10mm

REVISIONS

ZONE	REV.	DESCRIPTION	DATE	APPROVED
-	0	Final Drawing	13/05/2015	Carlos Rodrigues



Hardware

Qty	Ref.	Description
8	410429	Heavy Duty Ball Corner
4	40403	Large corner bracket f. 35mm case angle
1	88001D	Dish for 88001 Tour Label
2	RODA.100T	Swivel castor Ø100mm with brake
2	RODA.100	Swivel castor Ø100 mm
1	2602	Medium duty butt hinge z./p.
8	34082	Recessed sprung handle medium model
2	172531	Large butterfly V3 with 'push-back' function
2	270736	Short recessed lidstay cranked

This drawing must not be copied or disclosed without consent of the owner

Drawn by	Name	Date
projects		13/05/2015
Reference	MLS.900B	
Scale	units in mm	general tolerance
1:15	DO NOT SCALE	0.8mm
FC MLS 895X440X580 MM, RODAS		

