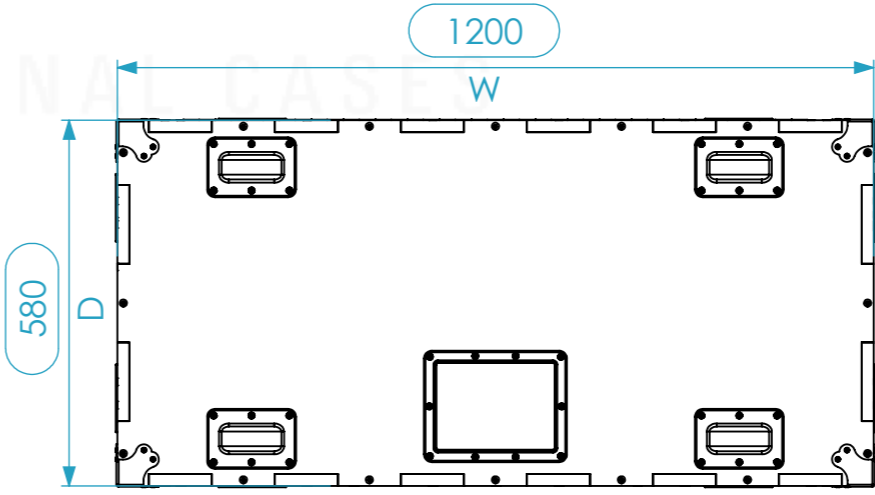
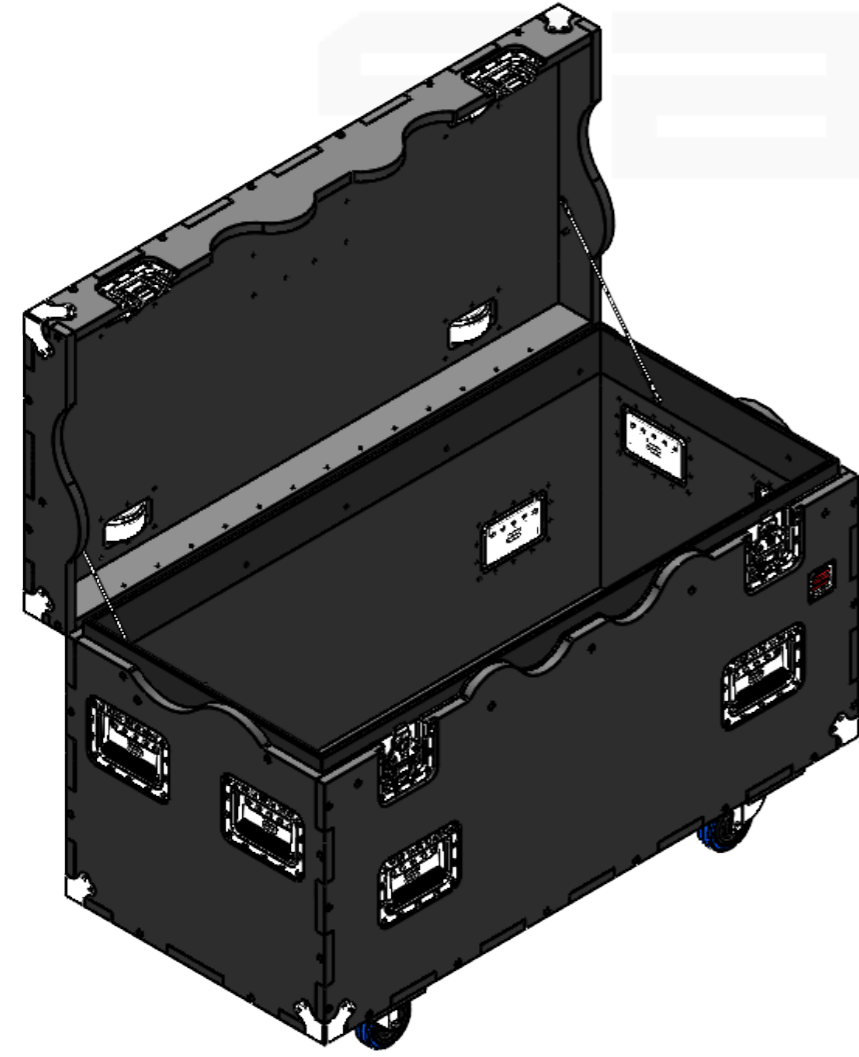
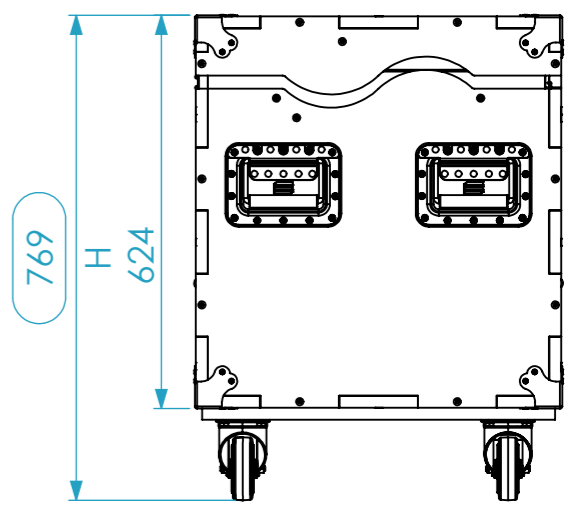
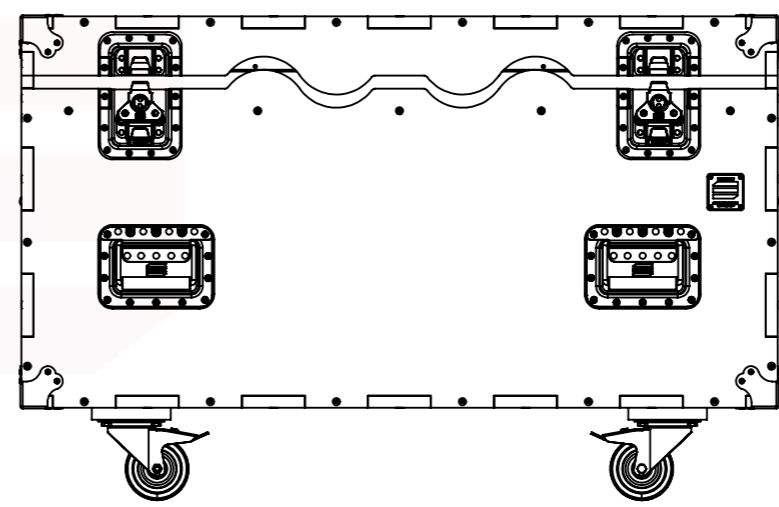
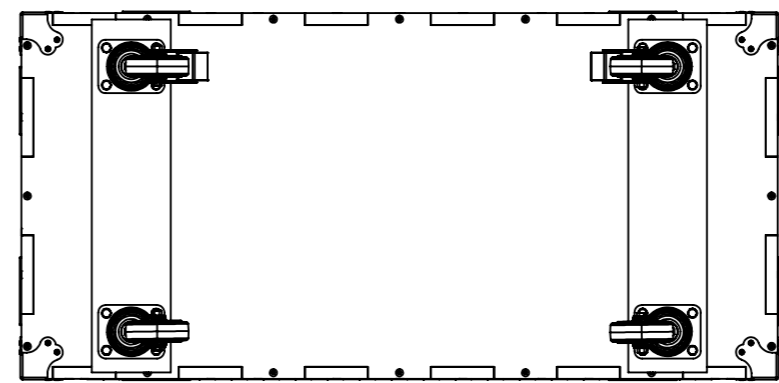
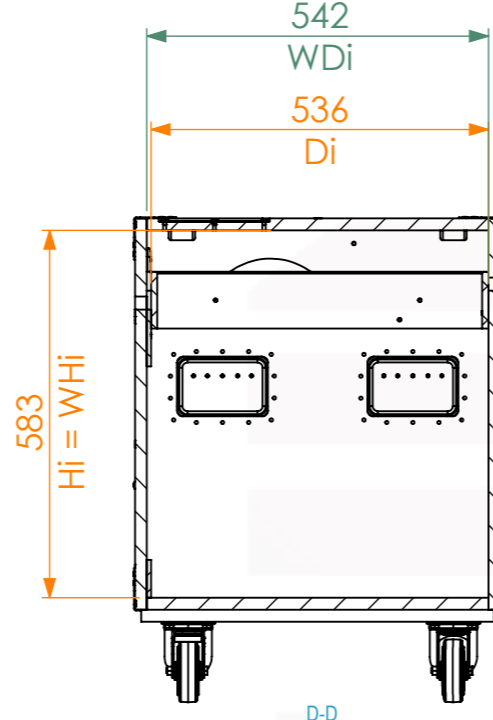
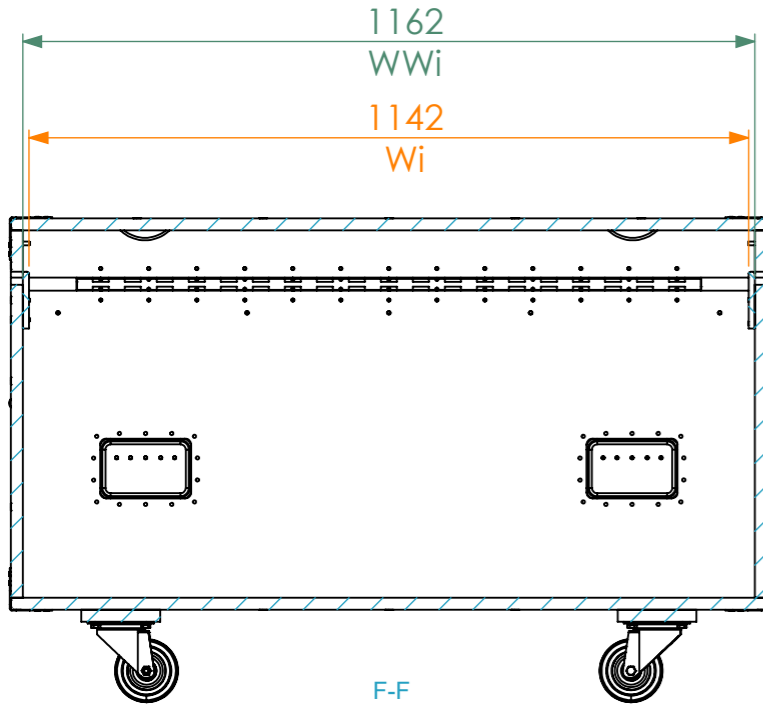


Internal Dimensions		
Width	Depth	Height
1162	542	583
Weight	Approx. 67 Kg	
Wall Thickness		19mm



General External Dimensions	
W	Width
D	Depth
H	Height
Usable Inner Dimensions	
Wi	Inside Width
Di	Inside Depth
Hi	Inside Height
Wood Inner Dimensions	
WWi	Wood Inside Width
WDi	Wood Inside Depth
WHi	Wood Inside Height

Name	Date
Drawn by paula.almeida	10/10/2023
Reference MLR.1180	
Scale 1:12	units in mm DO NOT SCALE
general tolerance 0.8mm	
MALÃO REFOR. PRO TOUR 1180	



This drawing must not be copied or disclosed without consent of the owner

1st Angle projection

A3