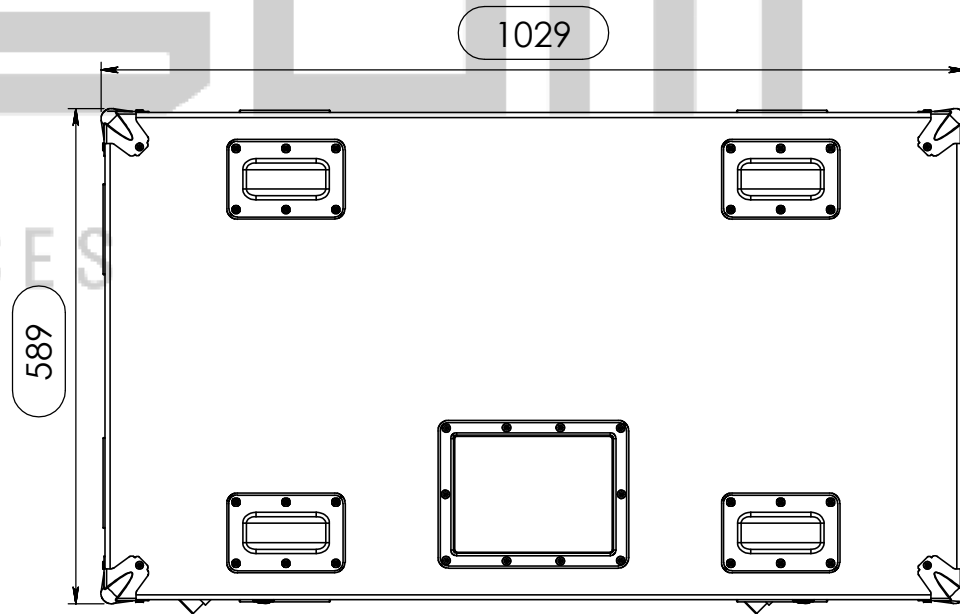
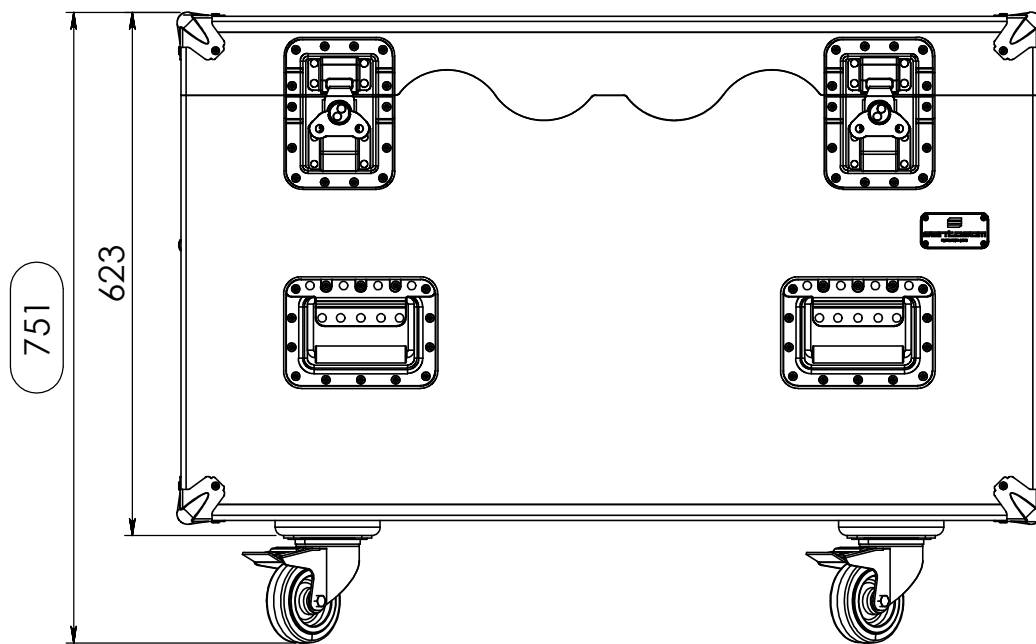
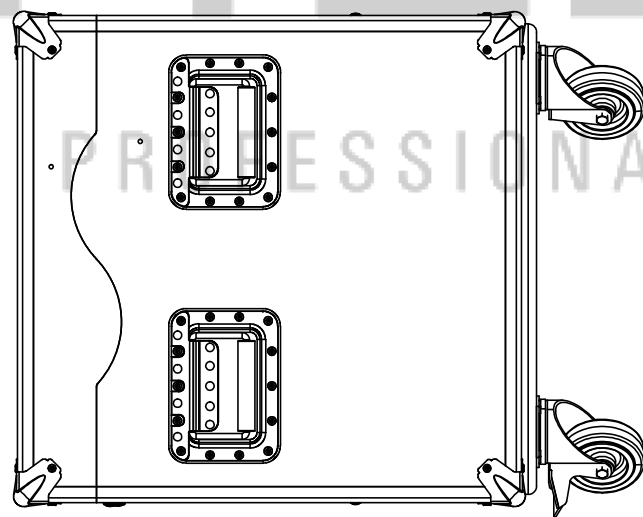
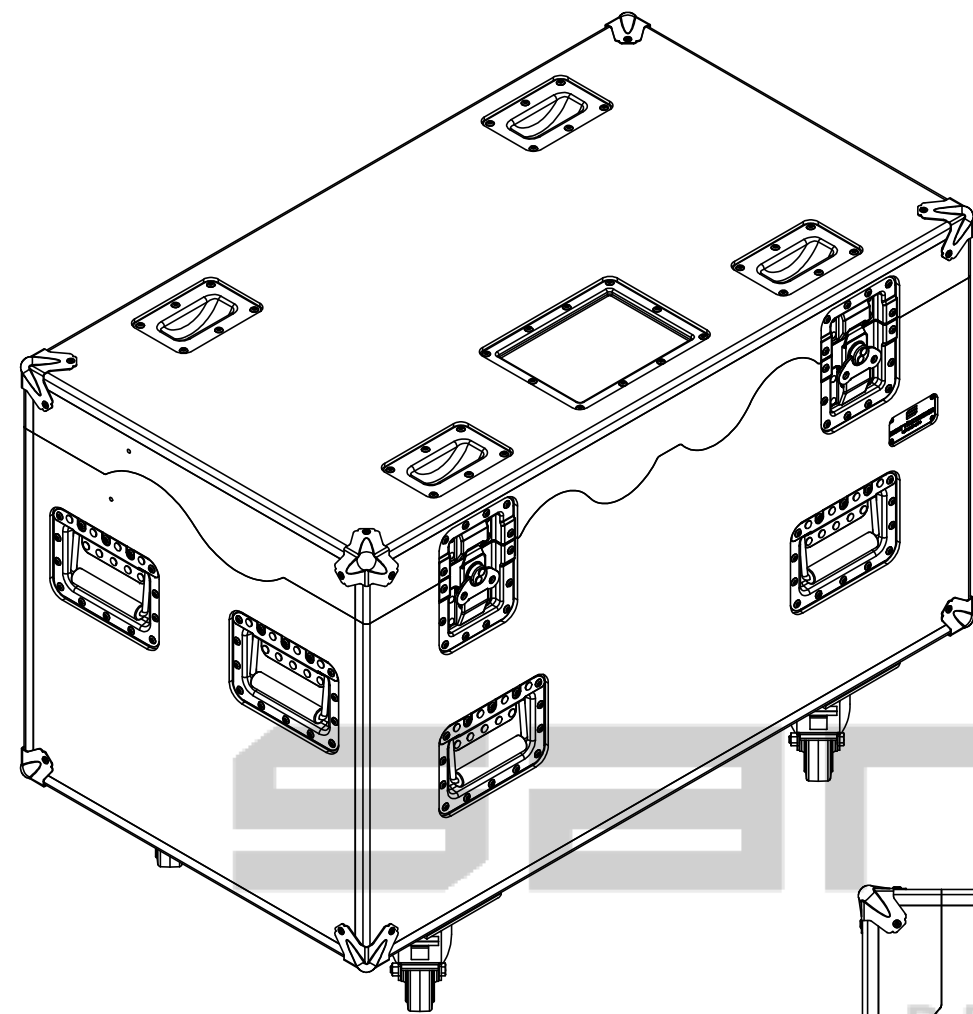


Interior dimensions		
Width	Depth	Height
945	520	560
Weight	Approx. 46 Kg	
Wall Thickness	18mm	



Drawn by	Name	Date
DanielLopes	DanielLopes	03-04-2012
Reference	MLR.1000	
Scale	units in mm	general tolerance
1:9	DO NOT SCALE	±0.8mm
1st Angle projection		
Malão reforçado PROTOUR		

This drawing must not be copied or disclosed without consent of the owner

