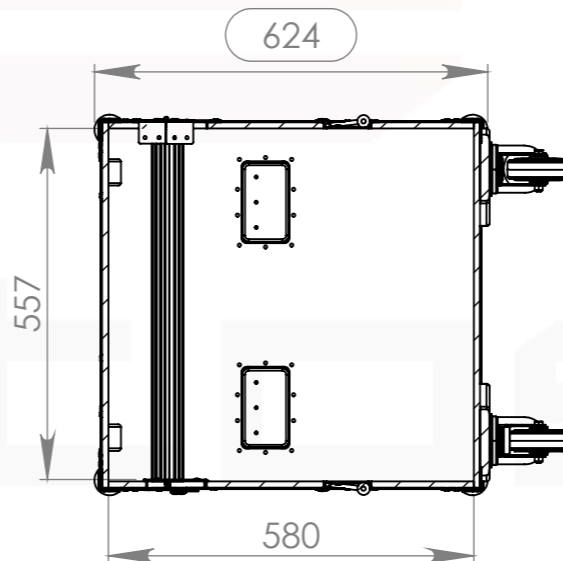
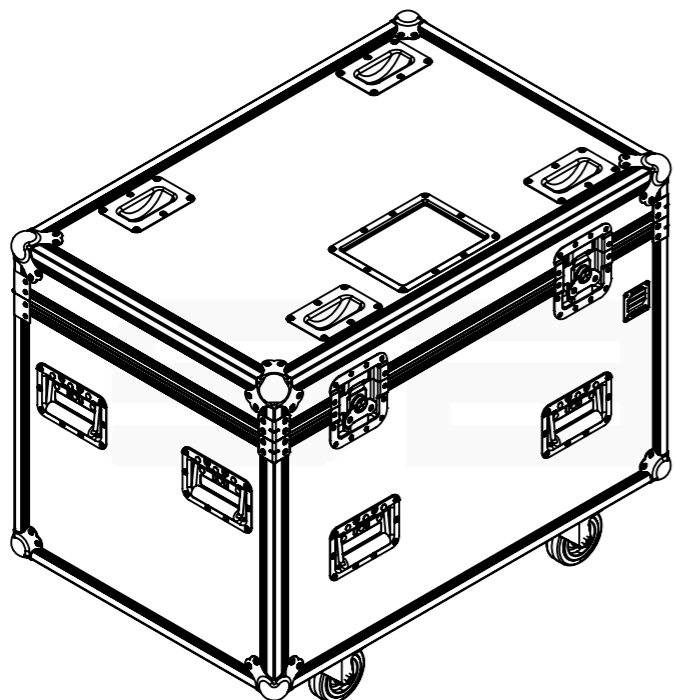
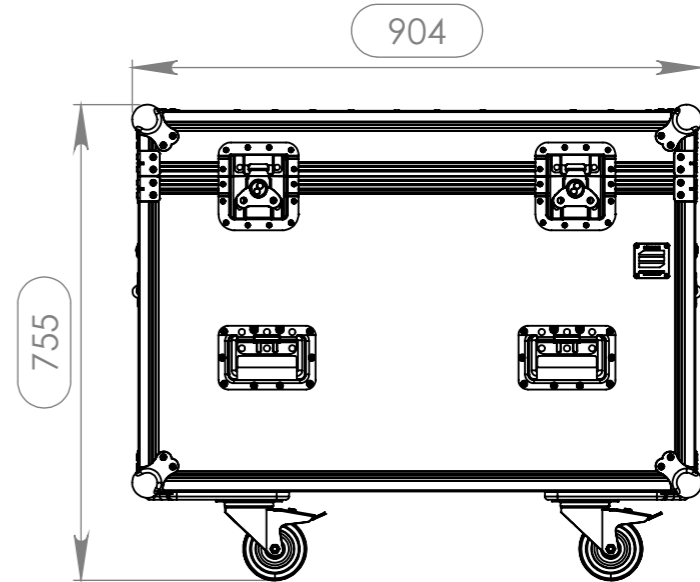
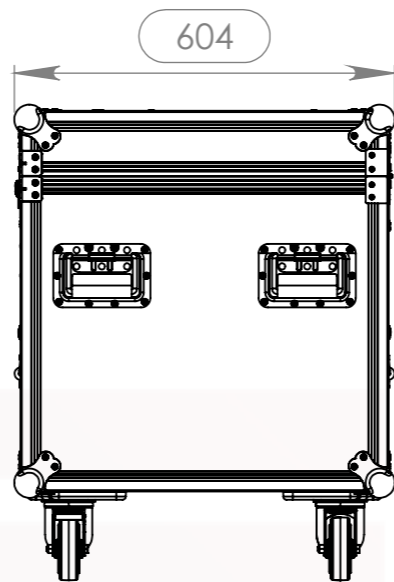
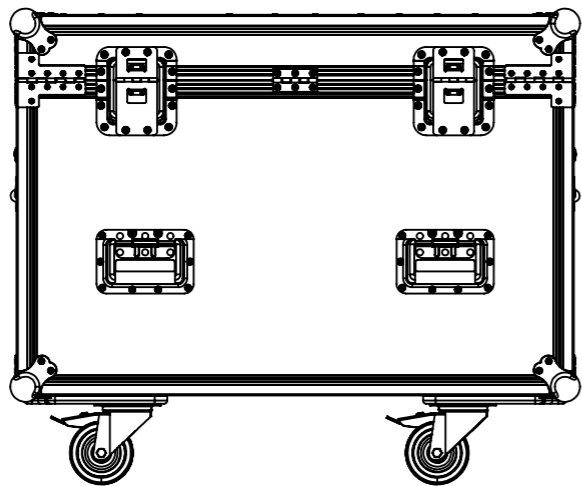
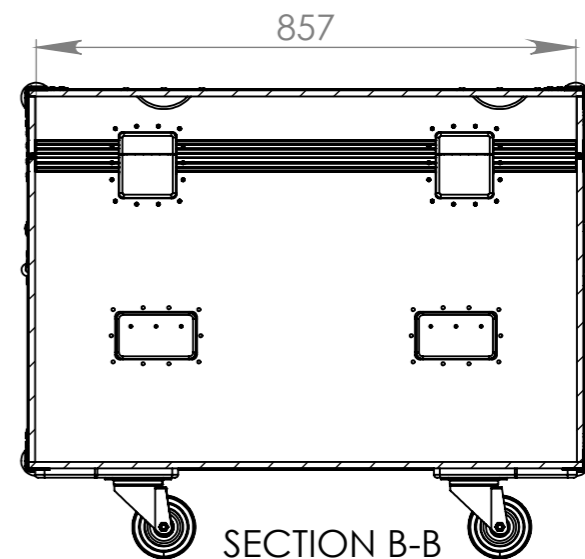
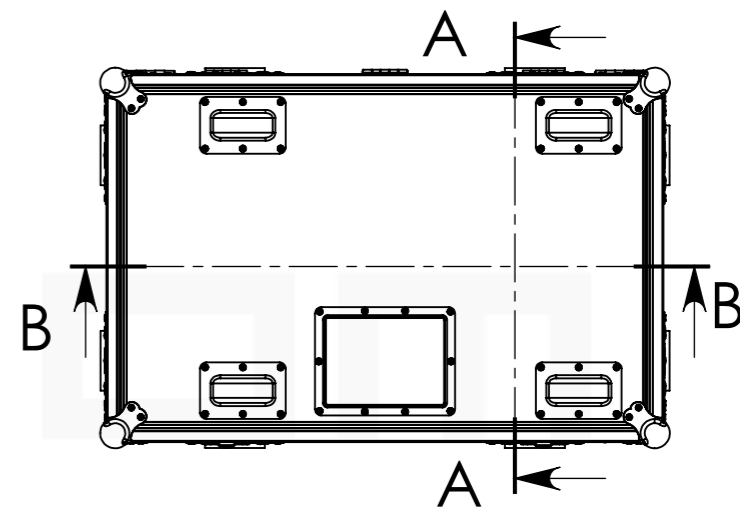


Interior dimensions

Width	Depth	Height
857	557	580
Weight	Approx. 32 Kg	
Wall Thickness	10mm	



SECTION A-A



SECTION B-B

Hardware

Qty	Ref.	Description
4	40403	Large corner bracket f. 35mm case angle
1	88001D	Dish for 88001 Tour Label
2	RODA.100T	Swivel castor Ø100mm with brake
2	RODA.100	Swivel castor Ø100 mm
1	2602	Medium duty butt hinge z./p.
8	34082	Recessed sprung handle medium model
2	172531	Large butterfly V3 with 'push-back' function
2	270736	Short recessed lidstay cranked
8	4101	Heavy duty ball corner, zinc plated
4	38083	Castor dish deep zinc plated

This drawing must not be copied or disclosed without consent of the owner

1st Angle projection

Scale 1:12
units in mm DO NOT SCALE
general tolerance 0.8mm

Name ezequiel
Date 31-01-2017
Reference MLA.1200A

MALÃO MLA900, COM DIVISÓRIAS

