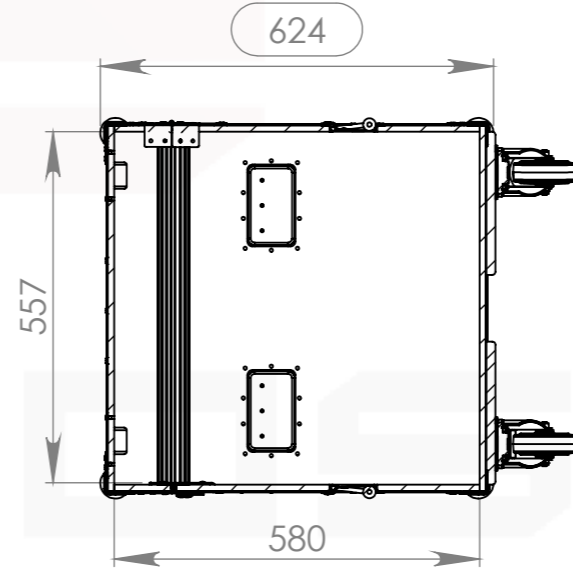
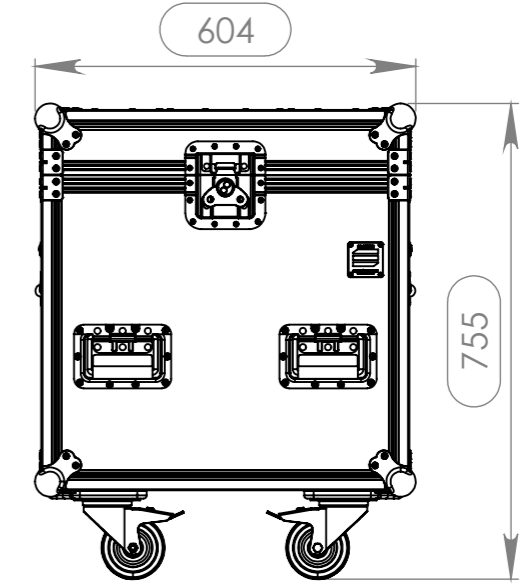
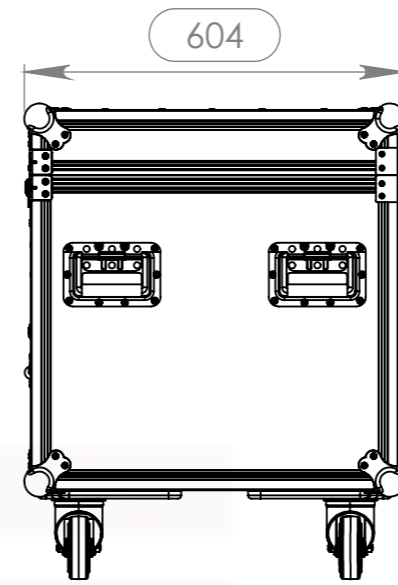
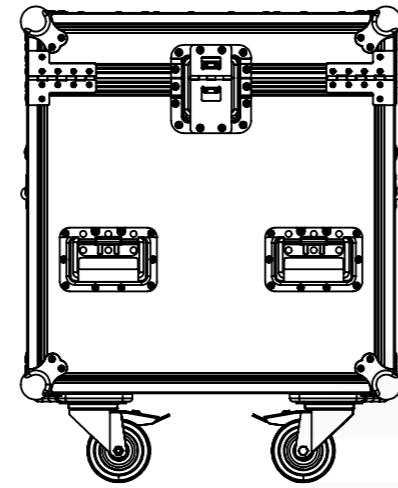
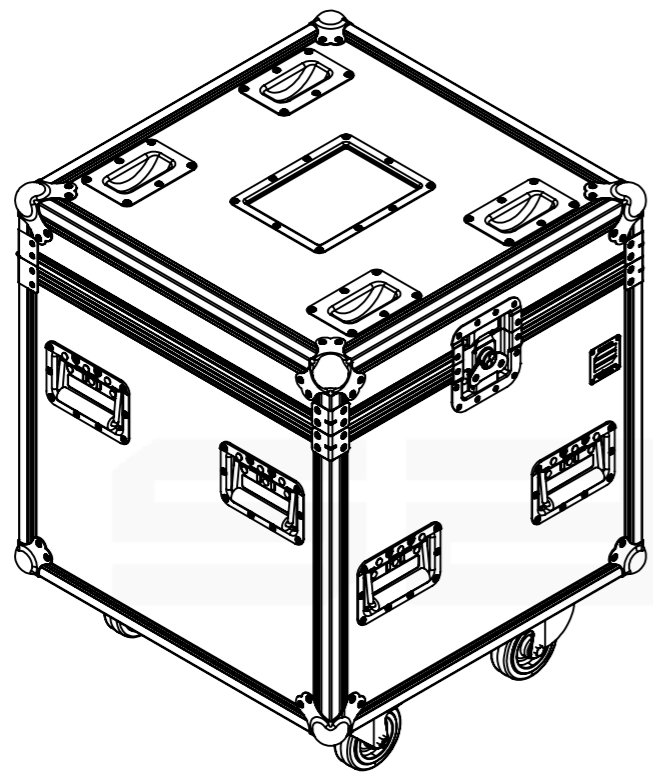
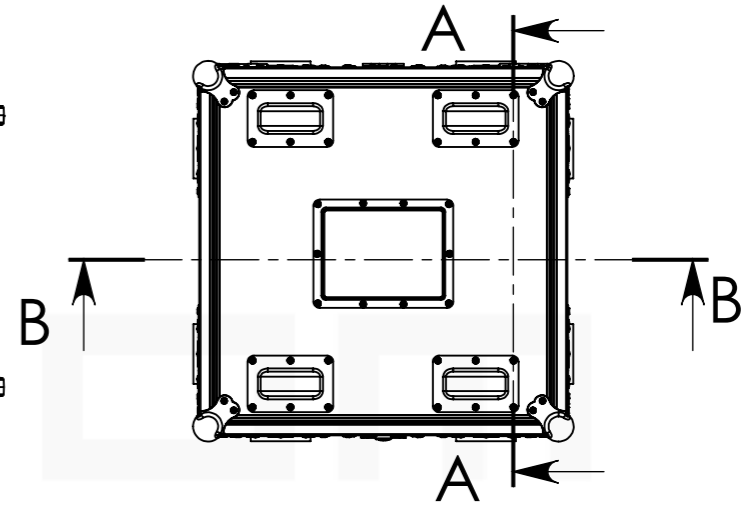


Interior dimensions

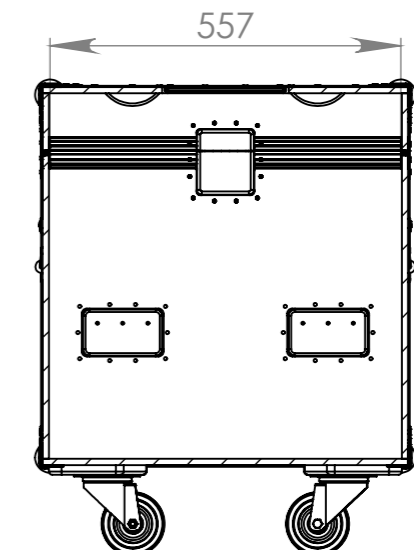
Width	Depth	Height
557	557	580
Weight	Approx. 25 Kg	
Wall Thickness	10mm	



SECTION A-A



SECTION B-B



Hardware		
Qty	Ref.	Description
4	40403	Large corner bracket f. 35mm case angle
1	88001D	Dish for 88001 Tour Label
2	RODA.100T	Swivel castor Ø100mm with brake
2	RODA.100	Swivel castor Ø100 mm
8	34082	Recessed sprung handle medium model
1	172531	Large butterfly V3 with 'push-back' function
1	270736	Short recessed lidstay cranked
8	4101	Heavy duty ball corner, zinc plated
4	38083	Castor dish deep zinc plated

This drawing must not be copied or disclosed without consent of the owner

Drawn by	Name	Date
projects		10/03/2017
Reference	MLA.0600A	
Scale	units in mm	general tolerance
1:12	DO NOT SCALE	0.8mm
MALÃO MLA600, COM DIVISÓRIAS		

