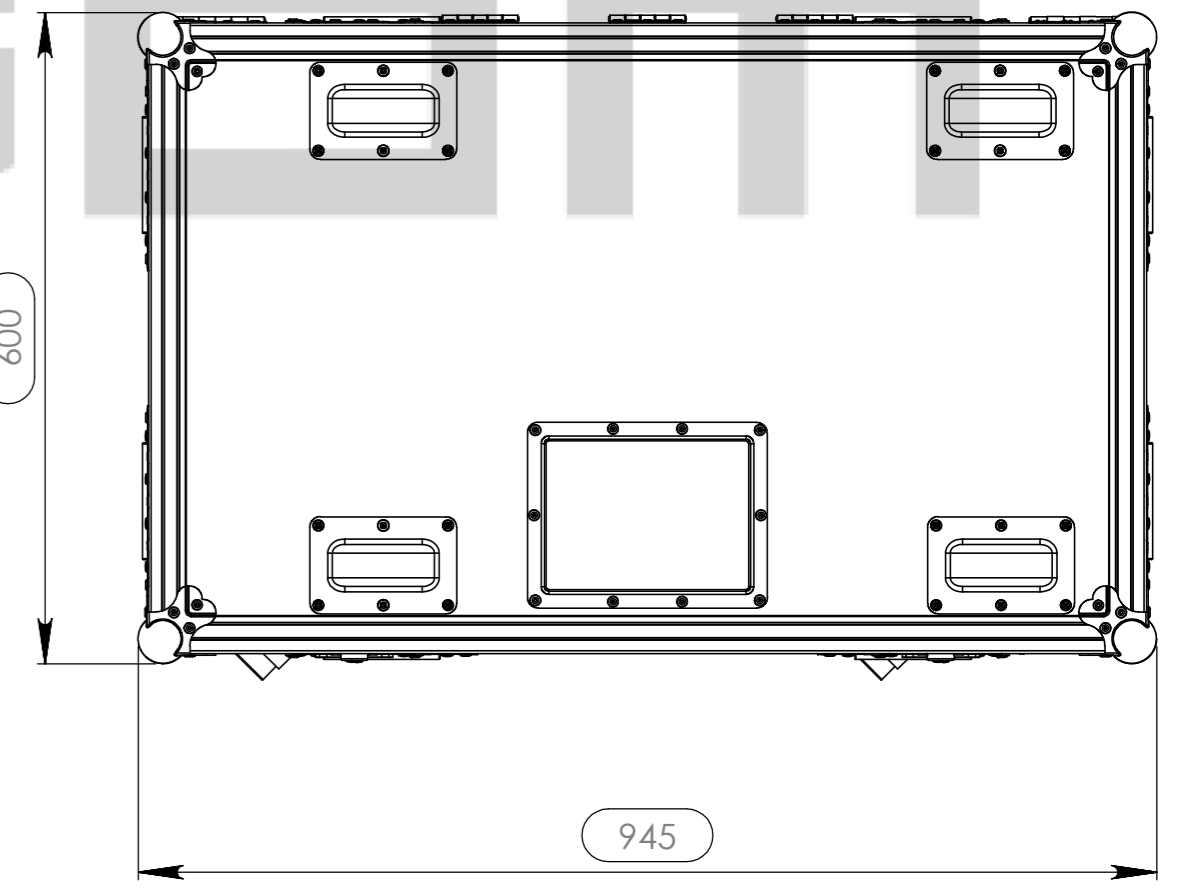
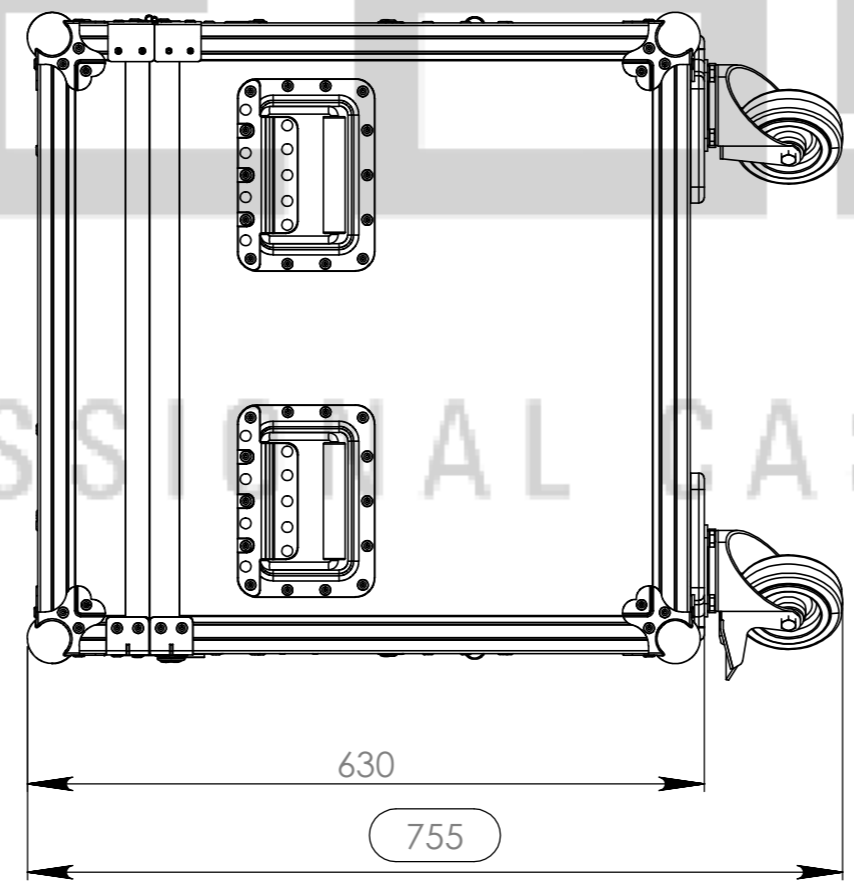
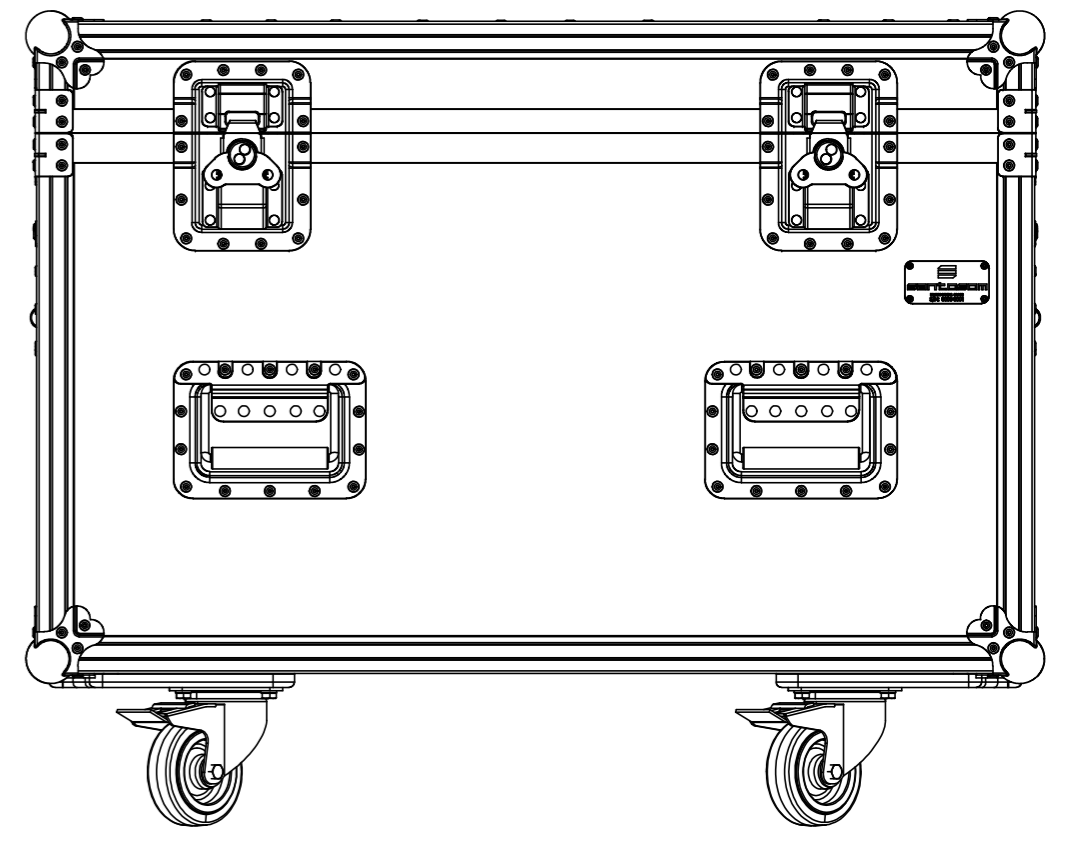
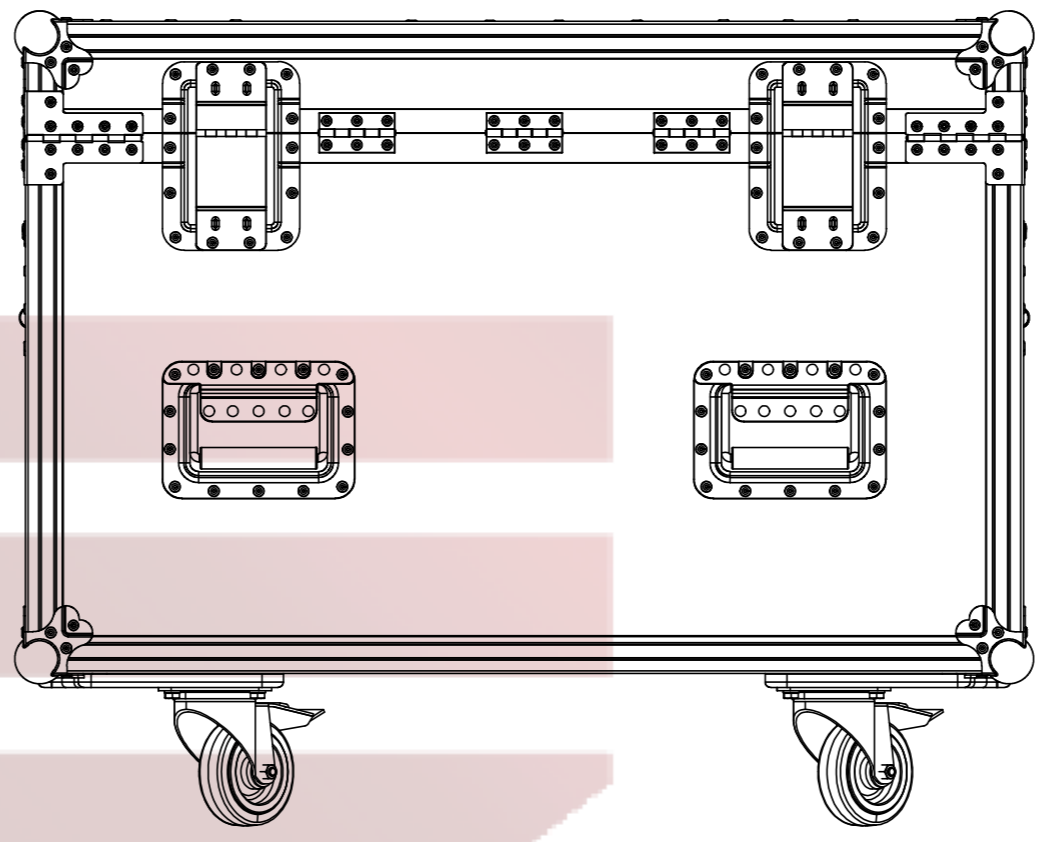
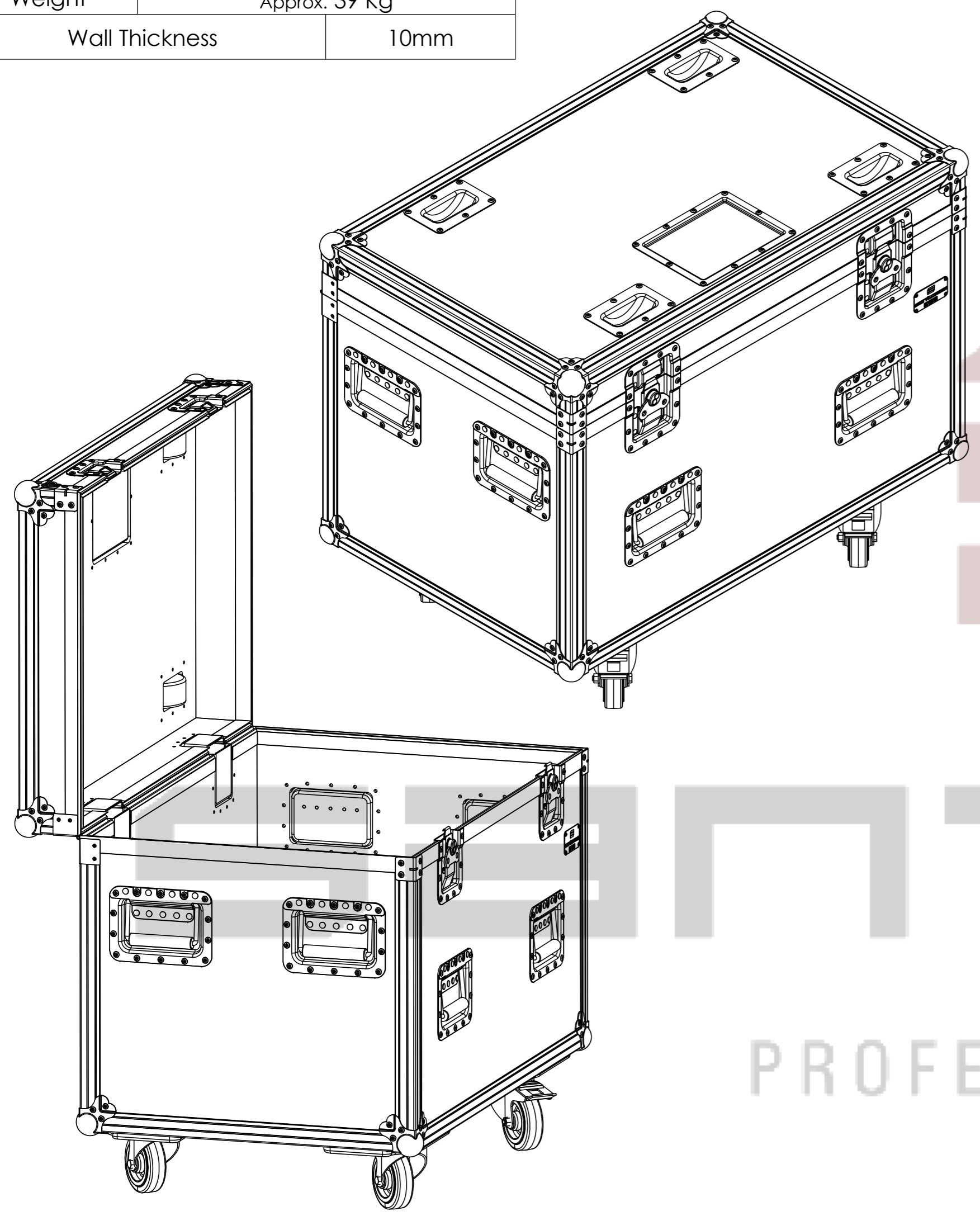


Interior dimensions		
Width	Depth	Height
896	556	580
Weight	Approx. 39 Kg	
Wall Thickness	10mm	

REVISIONS				
ZONE	REV.	DESCRIPTION	DATE	APPROVED
-	0	Final Drawing	06/02/2012	Pedro Neves



Hardware	
Qty	Description
8	Ball Corner large three-leg cranked 35 mm 9 holes
4	Large corner bracket f. 35mm case angle
8	Large, heavy duty, recessed sprung handle
1	Dish for 88001 Tour Label
2	Large AH butterfly with 'push-back' function in 14mm dish
2	Large lidstay cranked / hinge
2	Swivel castor Ø100 mm with brake
2	Swivel castor Ø100 mm
4	Castor dish deep zinc plated
2	110MM hinge shot
3	Medium duty butt hinge z./p.

Drawn by	Name	Date
Daniel Lopes	Daniel Lopes	08-02-2013
Reference	ML0900	
Scale	1:7	
1st Angle projection	general tolerance	0.8mm
	DO NOT SCALE	
	Malão PROTOUR ML900	

This drawing must not be copied or disclosed without consent of the owner