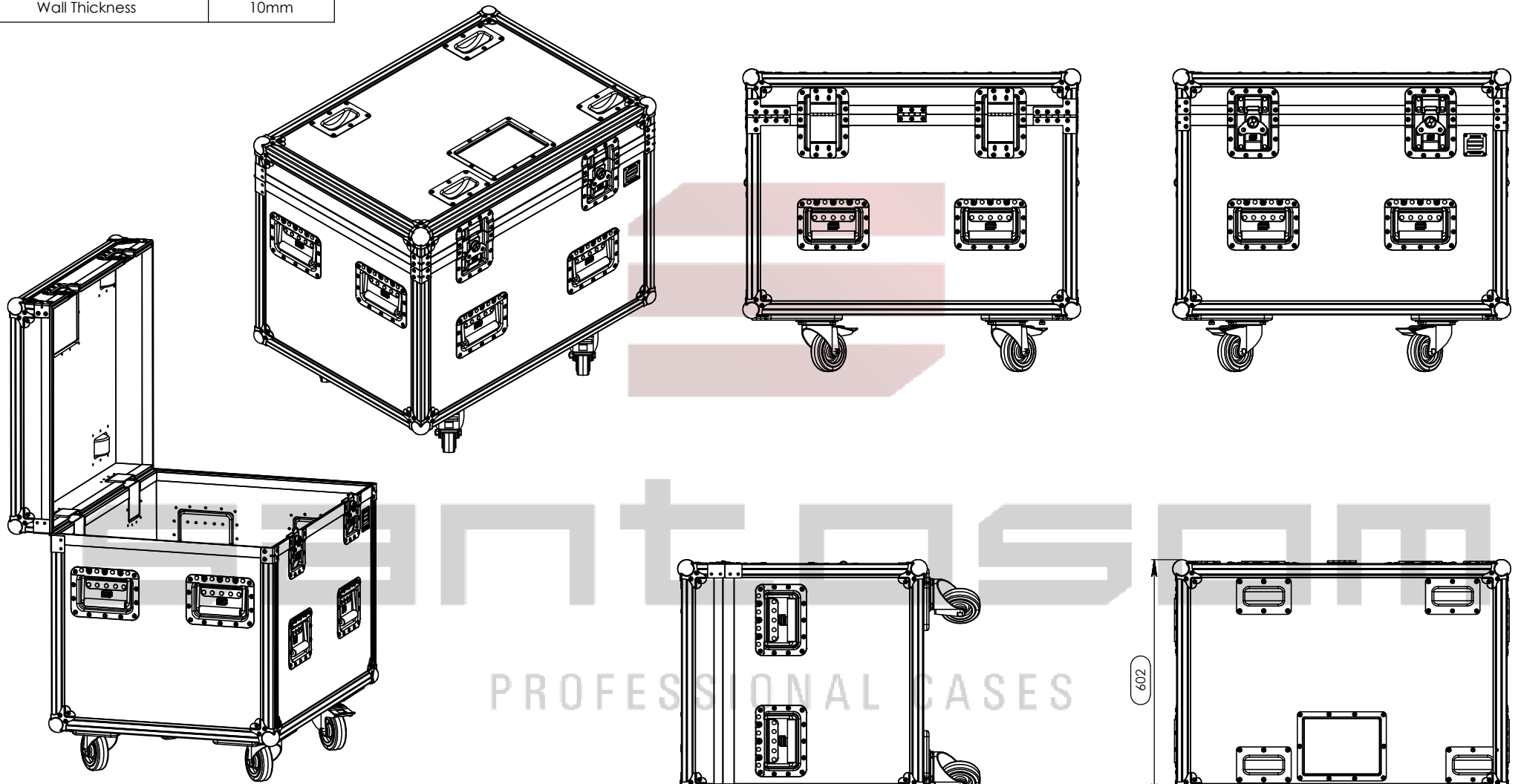
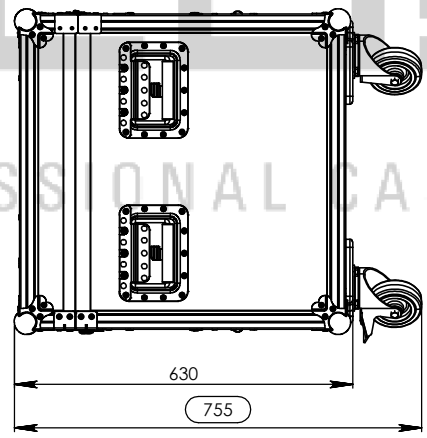
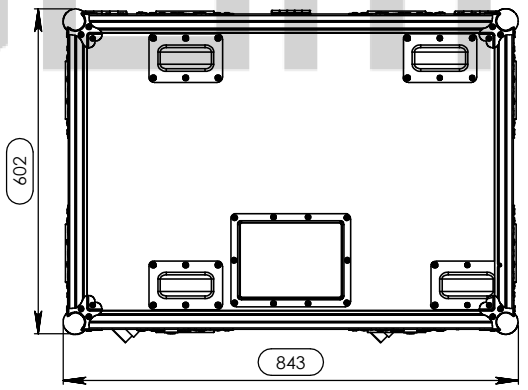


Interior dimensions		
Width	Depth	Height
796	556	580
Weight	Approx. 40 Kg	
Wall Thickness	10mm	

REVISIONS				
ZONE	REV.	DESCRIPTION	DATE	APPROVED
-	0	Final Drawing	04/07/2016	Ezequiel Camba



Hardware	
Qty	Description
8	Ball Corner large three-leg cranked 35 mm 9 holes
4	Large corner bracket f. 35mm case angle
8	Large, heavy duty, recessed sprung handle
1	Dish for 88001 Tour Label
2	Large AH butterfly with 'push-back', 14mm dish
2	Large lidstay cranked / hinge
2	Swivel castor Ø100mm with brake
2	Swivel castor Ø100 mm
4	Castor dish deep zinc plated
2	110MM hinge shot
1	Medium duty butt hinge z./p.



Drawn by	Name	Date
projects		04-07-2016

Reference	Scale	general tolerance
ML0800	1:7	±0.10mm

This drawing must not be copied or disclosed without consent of the owner



MALAO ML-800, RODAS

